
REPLACEMENT PARTS MANUAL

WALL MOUNTED PACKAGED HEAT PUMPS

Models:

| | | | | | |
|---------|---------|---------|---------|---------|---------|
| W42H2-A | W42H2DA | W48H2-A | W48H2DA | W60H2-A | W60H2DA |
| W42H2-B | W42H2DB | W48H2-B | W48H2DB | W60H2-B | W60H2DB |
| W42H2-C | W42H2DC | W48H2-C | W48H2DC | W60H2-C | W60H2DC |

General Notes

- Revised and/or additional pages may be issued from time to time.
- A complete and current manual consists of pages shown in the following contents section.

Important

- Contact the installing and/or local Bard distributor for all parts requirements. Be sure to have the complete model and serial number available from the unit rating plate.

Contents

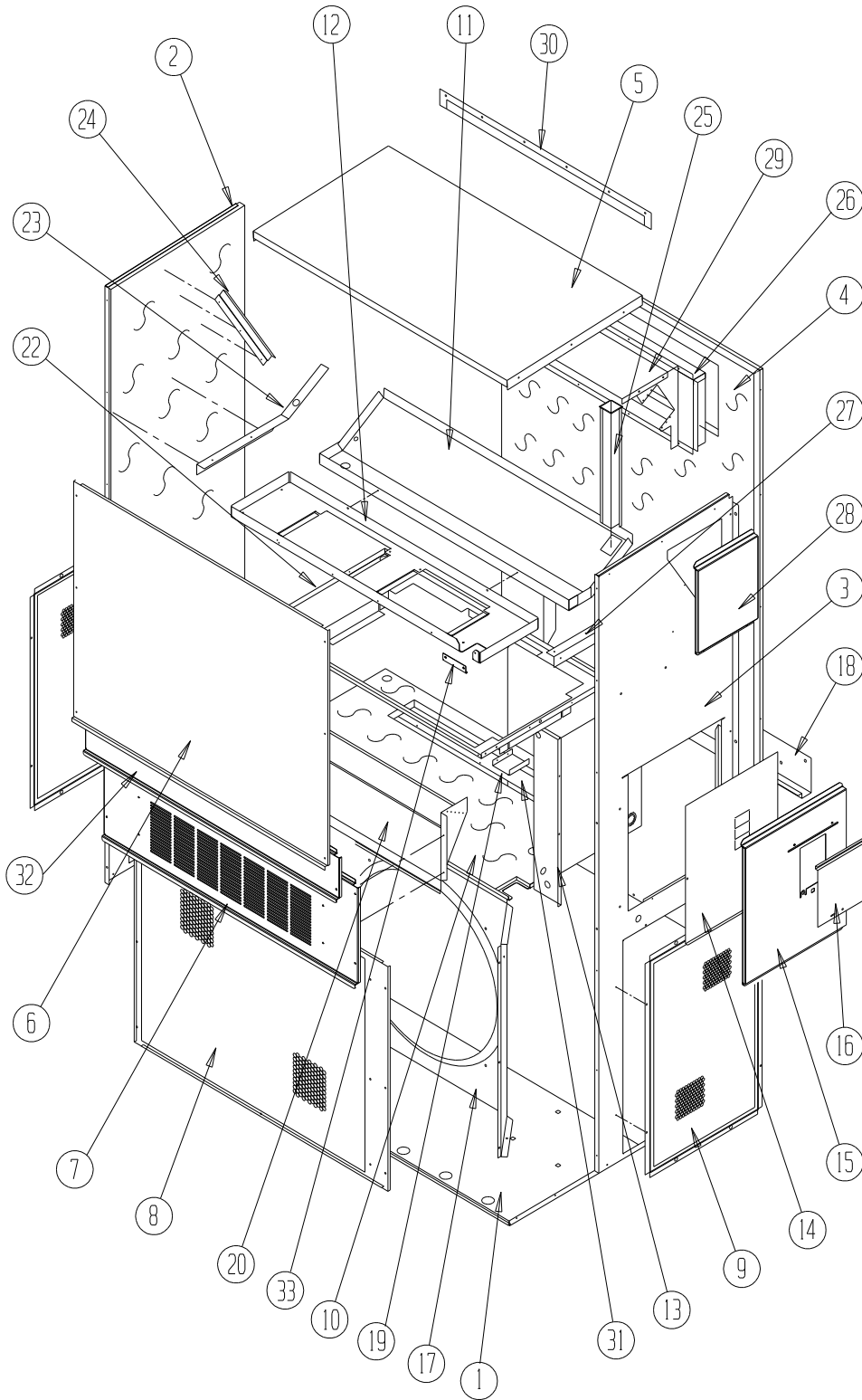
| Description | Page |
|--|------|
| Cabinet Components | |
| ♦ Exploded View | 2 |
| ♦ Usage List | 3 |
| ♦ Usage List | 4 |
| Functional Components | |
| ♦ Exploded View | 6 |
| ♦ Usage List | 7 |
| ♦ Usage List – Dehum. | 8 |
| Control Panel Components | |
| ♦ Layout View | 10 |
| ♦ Usage List | 11 |
| Control Panel Components – Dehum. Models | |
| ♦ Layout View | 12 |
| ♦ Usage List | 13 |
| Blower Housing | |
| ♦ Exploded View | 14 |
| ♦ Usage List | 14 |



Bard Manufacturing Company, Inc.
Bryan, Ohio 43506
www.bardhvac.com

Manual: 2110-597K
Supersedes: 2110-597J
Date: 6-17-19

CABINET COMPONENTS



SEXP-658 A

This drawing is referenced in tables on pages 3 and 4

CABINET COMPONENTS

| Dwg No. | Part Number | Description | W42H2-A, -B | W42H2-C | W42H2DA, B | W42H2DC | W48H2-A, -B | W48H2-C | W48H2DA, B | W48H2DC |
|---------|---------------------|--|-------------|---------|------------|---------|-------------|---------|------------|---------|
| 1 | S127-425 | Lower Base | X | X | X | X | X | X | X | X |
| 1 | S127-430 ③ | Lower Base | X | X | X | X | X | X | X | X |
| 2 | S501-686-* ① | Left Side | X | X | X | X | X | X | X | X |
| 2 | S501-699 ② | Left Side | X | X | X | X | X | X | X | X |
| 2 | S501-701 ③ | Left Side | X | X | X | X | X | X | X | X |
| 3 | S501-677-* ① | Right Side | X | X | X | X | X | X | X | X |
| 3 | S501-698 ② | Right Side | X | X | X | X | X | X | X | X |
| 3 | S501-700 ③ | Right Side | X | X | X | X | X | X | X | X |
| 4 | S508-098 | Back | X | X | X | X | X | X | X | X |
| 4 | S508-275 ② | Back | X | X | X | X | X | X | X | X |
| 4 | S508-221 ③ | Back | X | X | X | X | X | X | X | X |
| 5 | S507-307-* ① | Top | X | X | X | X | X | X | X | X |
| 5 | S507-309 ② | Top | X | X | X | X | X | X | X | X |
| 5 | S507-310 ③ | Top | X | X | X | X | X | X | X | X |
| 6 | S515-230-* ① | Upper Front | X | X | X | X | X | X | X | X |
| 6 | S514-231 ② | Upper Front | X | X | X | X | X | X | X | X |
| 6 | S514-232 ③ | Upper Front | X | X | X | X | X | X | X | X |
| 7 | S553-522-* ① | Vent Option Door | X | X | X | X | X | X | X | X |
| 7 | S553-529-* ① | Vent Option Door with ERV | X | X | X | X | X | X | X | X |
| 7 | S553-525 ② | Vent Option Door | X | X | X | X | X | X | X | X |
| 7 | S553-527 ③ | Vent Option Door | X | X | X | X | X | X | X | X |
| 8 | 118-048-* ① | Condenser Grille | X | X | X | X | X | X | X | X |
| 8 | 118-064 ② | Condenser Grille | X | X | X | X | X | X | X | X |
| 8 | 118-072 ③ | Condenser Grille | X | X | X | X | X | X | X | X |
| 9 | 118-057-* ① | Side Grille | 2 | 2 | 2 | 2 | 2 | 2 | 2 | 2 |
| 9 | 118-063 ② | Side Grille | 2 | 2 | 2 | 2 | 2 | 2 | 2 | 2 |
| 9 | 118-073 ③ | Side Grille | 2 | 2 | 2 | 2 | 2 | 2 | 2 | 2 |
| 10 | S521X258 | Condenser Partition | X | X | X | X | X | X | X | X |
| 11 | S123-122 | Drain Pan | X | X | X | X | X | X | X | X |
| 11 | S123-125 ②③ | Drain Pan | X | X | X | X | X | X | X | X |
| 12 | 121X216 | Blower Partition | X | X | X | X | X | X | X | X |
| 13 | Control Panel Assy. | See Control Panel Assy. Drawing & Parts List | X | X | X | X | X | X | X | X |
| 14 | S132-114 | Control Panel Cover (Inner) | X | | X | | X | | X | |
| 14 | S132-171 | Control Panel Cover (Inner) | | X | | X | | X | | X |
| 15 | S533-225-* ① | Control Panel Cover (Outer) | X | X | X | X | X | X | X | X |
| 15 | S533-229 ② | Control Panel Cover (Outer) | X | X | X | X | X | X | X | X |
| 15 | S533-230 ③ | Control Panel Cover (Outer) | X | X | X | X | X | X | X | X |
| 16 | S153-218-* ① | Disconnect Access Door | X | X | X | X | X | X | X | X |
| 16 | S153-387 ② | Disconnect Access Door | X | X | X | X | X | X | X | X |
| 16 | S153-405 ③ | Disconnect Access Door | X | X | X | X | X | X | X | X |
| 17 | 125-024 | Fan Shroud | X | X | X | X | X | X | X | X |
| 17 | 125-058 ③ | Fan Shroud | X | X | X | X | X | X | X | X |
| 18 | 113-140 | Bottom Mounting Bracket | X | X | X | X | X | X | X | X |
| 19 | 137-209 | Fill | X | X | X | X | X | X | X | X |
| 20 | BFAD-5 | Fresh Air Damper Assembly | X | X | X | X | X | X | X | X |
| 22 | 131X099 | Filter Tray | X | X | X | X | X | X | X | X |
| 23 | 105X877 | Left Side Support | X | X | X | X | X | X | X | X |
| 24 | 147-046 | Left Evaporator Support | X | X | X | X | X | X | X | X |
| 25 | 135-128 | Raceway | 2 | 2 | 2 | 2 | 2 | 2 | 2 | 2 |
| 26 | S111X034 | Outlet Air Frame Assembly | X | X | X | X | X | X | X | X |
| 27 | 105X878 | Right Side Support | X | X | X | X | X | X | X | X |
| 28 | S543-172-* ① | Right Side Cover Plate (Outer) | X | X | X | X | X | X | X | X |
| 28 | S543-176 ② | Right Side Cover Plate (Outer) | X | X | X | X | X | X | X | X |
| 28 | S543-177 ③ | Right Side Cover Plate (Outer) | X | X | X | X | X | X | X | X |
| 29 | 135-129 | Heat Shield | X | X | X | X | X | X | X | X |
| 30 | 113-150-* ① | Top Rain Flashing | X | X | X | X | X | X | X | X |
| 30 | 113-359 ③ | Top Rain Flashing | X | X | X | X | X | X | X | X |
| 31 | S536-258 | Cond. Partition Block Off Plate | X | X | X | X | X | X | X | X |
| 32 | S553-521-* ① | Filter Door Assembly | X | X | X | X | X | X | X | X |
| 32 | S553-526 ② | Filter Door Assembly | X | X | X | X | X | X | X | X |
| 32 | S553-528 ③ | Filter Door Assembly | X | X | X | X | X | X | X | X |

① Exterior cabinet parts are manufactured with various paint color options. To ensure the proper paint color is received, please reference the following codes: Beige -X, White -1, Buckeye Gray -4, Desert Brown -5, Dark Bronze -8

② Exterior cabinet parts are manufactured from aluminum Code "A"

③ Exterior cabinet parts are manufactured from stainless steel Code "S"

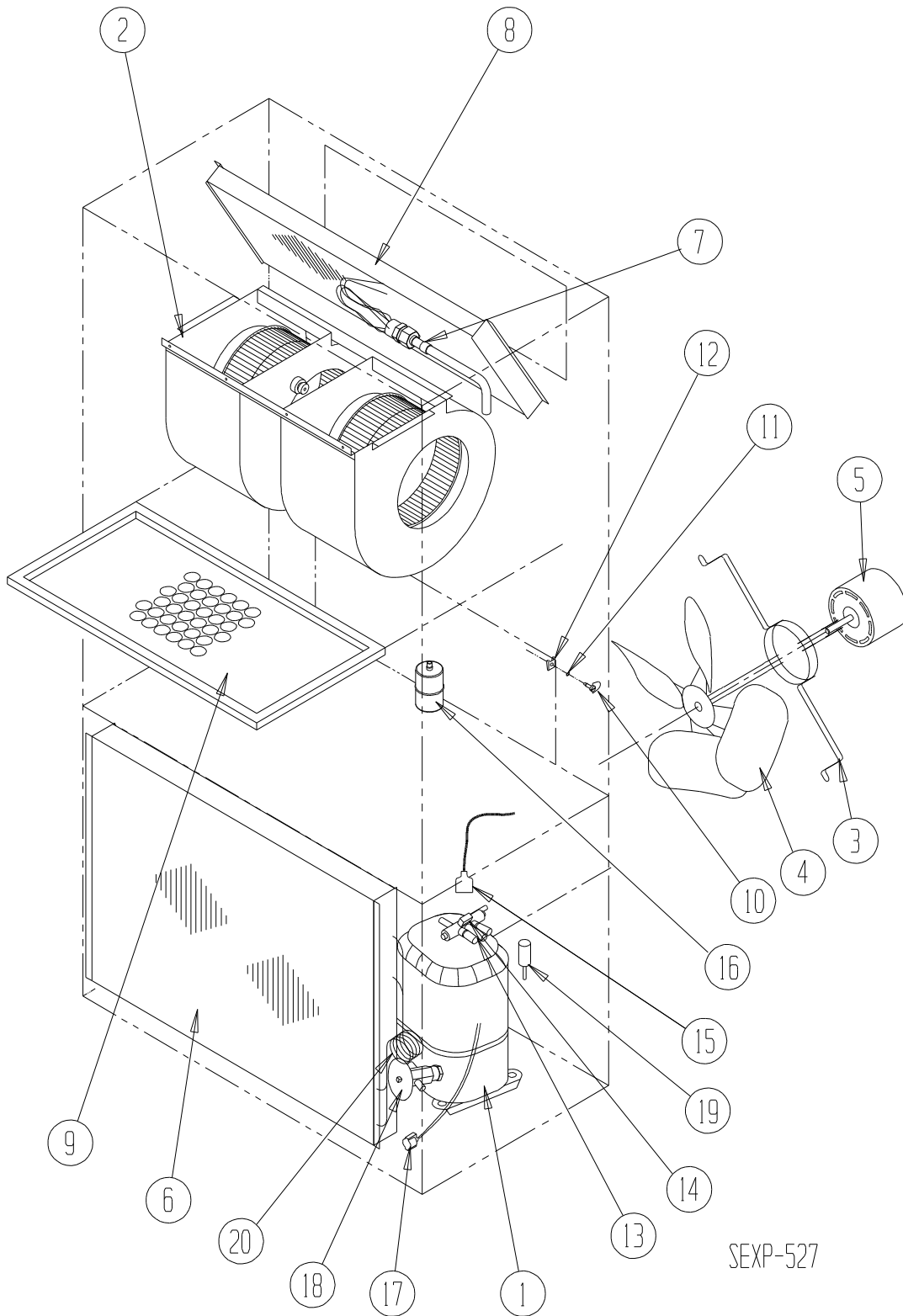
CABINET COMPONENTS

| Dwg No. | Part Number | Description | W60H2-A, -B | W60H2-C | W60H2DA, B | W60H2DC |
|---------|---------------------|--|-------------|---------|------------|---------|
| 1 | S127-425 | Lower Base | X | X | X | X |
| 1 | S127-430 ③ | Lower Base | X | X | X | X |
| 2 | S501-819-* ① | Left Side | X | X | X | X |
| 2 | S501-822 ② | Left Side | X | X | X | X |
| 2 | S501-820 ③ | Left Side | X | X | X | X |
| 3 | S501-818-* ① | Right Side | X | X | X | X |
| 3 | S501-823 ② | Right Side | X | X | X | X |
| 3 | S501-821 ③ | Right Side | X | X | X | X |
| 4 | S508-129 | Back | X | X | X | X |
| 4 | S508-275 ② | Back | X | X | X | X |
| 4 | S508-221 ③ | Back | X | X | X | X |
| 5 | S507-307-* ① | Top | X | X | X | X |
| 5 | S507-309 ② | Top | X | X | X | X |
| 5 | S507-310 ③ | Top | X | X | X | X |
| 6 | S515-230-* ① | Upper Front | X | X | X | X |
| 6 | S514-231 ② | Upper Front | X | X | X | X |
| 6 | S514-232 ③ | Upper Front | X | X | X | X |
| 7 | S553-522-* ① | Vent Option Door | X | X | X | X |
| 7 | S553-529-* ① | Vent Option Door with ERV | X | X | X | X |
| 7 | S553-525 ② | Vent Option Door | X | X | X | X |
| 7 | S553-527 ③ | Vent Option Door | X | X | X | X |
| 8 | 118-052-* ① | Condenser Grille | X | X | X | X |
| 8 | 118-080 ② | Condenser Grille | X | X | X | X |
| 8 | 118-078 ③ | Condenser Grille | X | X | X | X |
| 9 | 118-058-* ① | Side Grille | 2 | 2 | 2 | 2 |
| 9 | 118-081 ② | Side Grille | 2 | 2 | 2 | 2 |
| 9 | 118-079 ③ | Side Grille | 2 | 2 | 2 | 2 |
| 10 | S521X258 | Condenser Partition | X | X | X | X |
| 11 | S123-122 | Drain Pan | X | X | X | X |
| 11 | S123-125 ②③ | Drain Pan | X | X | X | X |
| 12 | 121X216 | Blower Partition | X | X | X | X |
| 13 | Control Panel Assy. | See Control Panel Assy. Drawing & Parts List | X | X | X | X |
| 14 | S132-114 | Control Panel Cover (Inner) | X | | X | |
| 14 | S132-171 | Control Panel Cover (Inner) | | X | | X |
| 15 | S533-225-* ① | Control Panel Cover (Outer) | X | X | X | X |
| 15 | S533-229 ② | Control Panel Cover (Outer) | X | X | X | X |
| 15 | S533-230 ③ | Control Panel Cover (Outer) | X | X | X | X |
| 16 | S153-218-* ① | Disconnect Access Door | X | X | X | X |
| 16 | S153-387 ② | Disconnect Access Door | X | X | X | X |
| 16 | S153-405 ③ | Disconnect Access Door | X | X | X | X |
| 17 | 125-029 | Fan Shroud | X | X | X | X |
| 17 | 125-059 ③ | Fan Shroud | X | X | X | X |
| 18 | 113-140 | Bottom Mounting Bracket | X | X | X | X |
| 19 | 137-209 | Fill | X | X | X | X |
| 20 | BFAD-5 | Fresh Air Damper Assembly | X | X | X | X |
| 22 | 131X099 | Filter Tray | X | X | X | X |
| 23 | 105X877 | Left Side Support | X | X | X | X |
| 24 | 147-046 | Left Evaporator Support | X | X | X | X |
| 25 | 135-128 | Raceway | 2 | 2 | 2 | 2 |
| 26 | S111X034 | Outlet Air Frame Assembly | X | X | X | X |
| 27 | 105X878 | Right Side Support | X | X | X | X |
| 28 | S543-172-* ① | Right Side Cover Plate (Outer) | X | X | X | X |
| 28 | S543-176 ② | Right Side Cover Plate (Outer) | X | X | X | X |
| 28 | S543-177 ③ | Right Side Cover Plate (Outer) | X | X | X | X |
| 29 | 135-129 | Heat Shield | X | X | X | X |
| 30 | 113-150-* ① | Top Rain Flashing | X | X | X | X |
| 30 | 113-359 ③ | Top Rain Flashing | X | X | X | X |
| 31 | S536-258 | Cond. Partition Block Off Plate | X | X | X | X |
| 32 | S553-521-* ① | Filter Door Assembly | X | X | X | X |
| 32 | S553-526 ② | Filter Door Assembly | X | X | X | X |
| 32 | S553-528 ③ | Filter Door Assembly | X | X | X | X |

- ① Exterior cabinet parts are manufactured with various paint color options. To ensure the proper paint color is received, please reference the following codes: Beige -X, White -1, Buckeye Gray -4, Desert Brown -5, Dark Bronze -8
- ② Exterior cabinet parts are manufactured from aluminum Code "A"
- ③ Exterior cabinet parts are manufactured from stainless steel Code "S"

This page intentionally left blank.

FUNCTIONAL COMPONENTS



This drawing is referenced in tables on pages 7 and 8

FUNCTIONAL COMPONENTS

| Dwg No. | Part No. | Description | W42H2-A | W42H2-B | W42H2-C | W48H2-A | W48H2-B | W48H2-C | W60H2-A | W60H2-B | W60H2-C |
|---------|------------|---|---------|---------|---------|---------|---------|---------|---------|---------|---------|
| 1 | 8000-332 | Compressor | X | | | | | | | | |
| 1 | 8000-333 | Compressor | | X | | | | | | | |
| 1 | 8000-334 | Compressor | | | X | | | | | | |
| 1 | 8000-343 | Compressor | | | | X | | | | | |
| 1 | 8000-344 | Compressor | | | | | X | | | | |
| 1 | 8000-345 | Compressor | | | | | | X | | | |
| 1 | 8000-324 | Compressor | | | | | | | X | | |
| 1 | 8000-325 | Compressor | | | | | | | | X | |
| 1 | 8000-326 | Compressor | | | | | | | | | X |
| 2 | S900-183 | Blower Assembly | X | X | | X | X | | | | |
| 2 | S900-184 | Blower Assembly | | | X | | | X | | | |
| 2 | S900-185 | Blower Assembly | | | | | | | X | X | |
| 2 | S900-186 | Blower Assembly | | | | | | | | | X |
| 3 | 8200-004 | Fan Motor Mount | X | X | X | X | X | X | X | X | X |
| 4 | 5151-060 | Fan Blade | X | X | X | X | X | X | X | X | X |
| 5 | 8105-068 | Condenser Motor | X | X | | X | X | | X | X | |
| 5 | 8105-071 | Condenser Motor | | | X | | | X | | | X |
| 6 | 5051-158BX | Condenser Coil | X | X | X | X | X | | | | |
| 6 | 5051-159BX | Condenser Coil | | | | | | | X | X | X |
| 7 | 800-0382 | Distributor Assembly | X | X | X | | | | | | |
| 7 | 800-0383 | Distributor Assembly | | | | X | X | X | | | |
| 7 | 800-0375 | Distributor Assembly | | | | | | | X | X | X |
| 8 | 5060-137BX | Evaporator Coil | X | X | X | | | | | | |
| 8 | 5060-138BX | Evaporator Coil | | | | X | X | X | | | |
| 8 | 5060-082BX | Evaporator Coil | | | | | | | X | X | X |
| 9 | 7004-016 | Air Filter 1" Throw-Away | X | X | X | X | X | X | X | X | X |
| 9 | 7003-030 | Air Filter 1" Washable (Optional) | X | X | X | X | X | X | X | X | X |
| 9 | 7004-027 | Air Filter 2" Pleated (Optional) | X | X | X | X | X | X | X | X | X |
| 10 | 1171-022 | 1/4 Turn Fastener | X | X | X | X | X | X | X | X | X |
| 11 | 1171-024 | 1/4 Turn Retainer | X | X | X | X | X | X | X | X | X |
| 12 | 1171-023 | 1/4 Receptacle | X | X | X | X | X | X | X | X | X |
| 13 | 5650-039 | Reversing Valve with 24V Solenoid Coil | X | X | X | | | | | | |
| 13 | 5650-040 | Reversing Valve with 24V Solenoid Coil | | | | X | X | X | X | X | X |
| 14 | 5650-042 | Rev. Valve Solenoid, Red Casing (Ranco) | X | X | X | X | X | X | X | X | X |
| 14 | 5650-043 | Rev. Valve Solenoid, Black Casing (Wilspec) | X | X | X | X | X | X | X | X | X |
| 14 | 5650-046 | Rev. Valve Solenoid, Black Casing (San Hua) | X | X | X | X | X | X | X | X | X |
| 15 | 5650-037 | Molded Plug 3/6" Lead | X | X | X | X | X | X | X | X | X |
| 16 | 5201-010 | Filter Drier | X | X | X | X | X | X | X | X | X |
| 17 | 8620-224 | Defrost Sensor | X | X | X | X | X | X | X | X | X |
| 18 | 5651-178 | Heating TXV Thermal Expansion Valve | X | X | X | X | X | X | | | |
| 18 | 5651-190 | Heating TXV Thermal Expansion Valve | | | | | | | X | X | X |
| 19 | 8406-142 | High Pressure Switch, Screw On, 650 PSIG | X | X | X | X | X | X | X | X | X |
| 20 | 800-0381 | Heating Distributor Assembly | X | X | X | X | X | X | | | |
| 20 | 800-0376 | Heating Distributor Assembly | | | | | | | X | X | X |
| NS | 8406-135 | Low Pressure Switch, Screw On, 14 PSIG | X | X | X | X | X | X | X | X | X |
| NS | CMH-19 | Low Ambient Control (Flare) (Optional) | X | X | X | X | X | X | X | X | X |
| NS | 6031-009 | Coremax Valve Core | 2 | 2 | 2 | 2 | 2 | 2 | 2 | 2 | 2 |
| NS | CMH-14A | Outdoor Thermostat | X | X | X | X | X | X | X | X | X |

NS = Not Shown

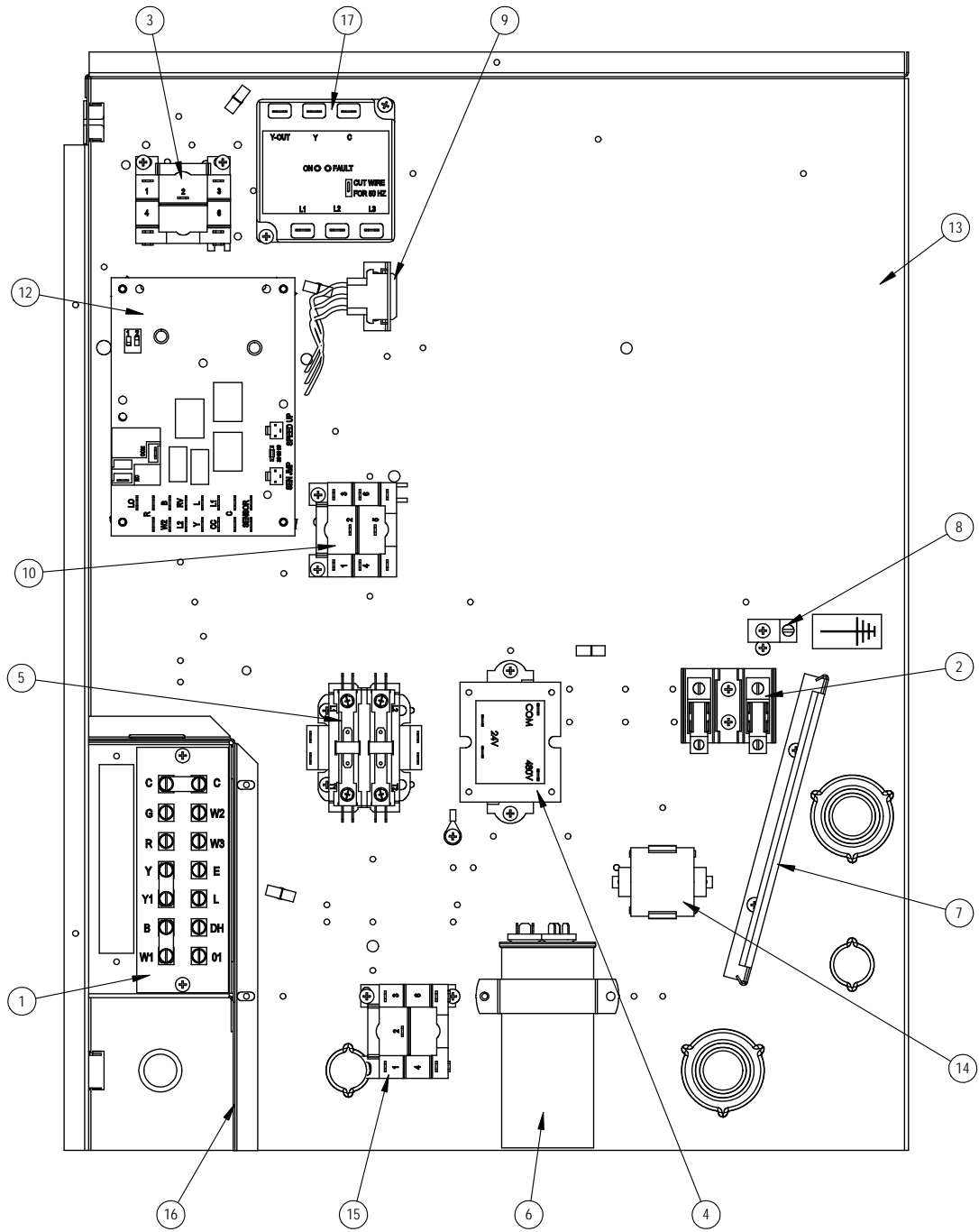
FUNCTIONAL COMPONENTS – DEHUM. MODELS

| Dwg No. | Part No. | Description | W42H2DA | W42H2DB | W42H2DC | W48H2DA | W48H2DB | W48H2DC | W60H2DA | W60H2DB | W60H2DC |
|---------|------------|---|---------|---------|---------|---------|---------|---------|---------|---------|---------|
| 1 | 8000-332 | Compressor | X | | | | | | | | |
| 1 | 8000-333 | Compressor | | X | | | | | | | |
| 1 | 8000-334 | Compressor | | | X | | | | | | |
| 1 | 8000-343 | Compressor | | | | X | | | | | |
| 1 | 8000-344 | Compressor | | | | | X | | | | |
| 1 | 8000-345 | Compressor | | | | | | X | | | |
| 1 | 8000-324 | Compressor | | | | | | | X | | |
| 1 | 8000-325 | Compressor | | | | | | | | X | |
| 1 | 8000-326 | Compressor | | | | | | | | | X |
| 2 | S900-183 | Blower Assembly | X | X | | X | X | | | | |
| 2 | S900-184 | Blower Assembly | | | X | | | X | | | |
| 2 | S900-185 | Blower Assembly | | | | | | | X | X | |
| 2 | S900-186 | Blower Assembly | | | | | | | | | X |
| 3 | 8200-004 | Fan Motor Mount | X | X | X | X | X | X | X | X | X |
| 4 | 5151-060 | Fan Blade | X | X | X | X | X | X | X | X | X |
| 5 | 8105-068 | Condenser Motor | X | X | | X | X | | X | X | |
| 5 | 8105-071 | Condenser Motor | | | X | | | X | | | X |
| 6 | 5051-158BX | Condenser Coil | X | X | X | X | X | | | | |
| 6 | 5051-159BX | Condenser Coil | | | | | | | X | X | X |
| 7 | 5651-211 | Cooling Expansion Valve | X | X | X | | | | | | |
| 7 | 800-0292 | Cooling Distributor Assembly | X | X | X | | | | | | |
| 7 | 5651-228 | Cooling Expansion Valve | | | | X | X | X | | | |
| 7 | 800-0342 | Cooling Distributor Assembly | | | | X | X | X | | | |
| 7 | 5651-241 | Cooling Expansion Valve | | | | | | | X | X | X |
| 7 | 800-0388 | Cooling Distributor Assembly | | | | | | | X | X | X |
| 8 | 917-0128BX | Evaporator Coil Assembly | X | X | X | | | | | | |
| 8 | 917-0130BX | Evaporator Coil Assembly | | | | X | X | X | | | |
| 8 | 917-0044BX | Evaporator Coil Assembly | | | | | | | X | X | X |
| 9 | 7004-016 | Air Filter 1" Throw-Away | X | X | X | X | X | X | X | X | X |
| 9 | 7003-030 | Air Filter 1" Washable (Optional) | X | X | X | X | X | X | X | X | X |
| 9 | 7004-027 | Air Filter 2" Pleated (Optional) | X | X | X | X | X | X | X | X | X |
| 10 | 1171-022 | 1/4 Turn Fastener | X | X | X | X | X | X | X | X | X |
| 11 | 1171-024 | 1/4 Turn Retainer | X | X | X | X | X | X | X | X | X |
| 12 | 1171-023 | 1/4 Receptacle | X | X | X | X | X | X | X | X | X |
| 13 | 5650-039 | Reversing Valve with 24V Solenoid Coil | X | X | X | | | | | | |
| 13 | 5650-040 | Reversing Valve with 24V Solenoid Coil | | | | X | X | X | X | X | X |
| 14 | 5650-042 | Rev. Valve Solenoid, Red Casing (Ranco) | X | X | X | X | X | X | X | X | X |
| 14 | 5650-043 | Rev. Valve Solenoid, Black Casing (Wilspec) | X | X | X | X | X | X | X | X | X |
| 14 | 5650-046 | Rev. Valve Solenoid, Black Casing (San Hua) | X | X | X | X | X | X | X | X | X |
| 15 | 5650-037 | Molded Plug 36" Lead | X | X | X | X | X | X | X | X | X |
| 16 | 5201-010 | Filter Drier | X | X | X | X | X | X | X | X | X |
| 17 | 8620-224 | Defrost Sensor | X | X | X | X | X | X | X | X | X |
| 18 | 5651-178 | Heating TXV Thermal Expansion Valve | X | X | X | X | X | | | | |
| 18 | 5651-190 | Heating TXV Thermal Expansion Valve | | | | | | | X | X | X |
| 19 | 8406-142 | High Pressure Switch, Screw On, 650 PSIG | X | X | X | X | X | X | X | X | X |
| 20 | 800-0381 | Heating Distributor Assembly | X | X | X | X | X | | | | |
| 20 | 800-0376 | Heating Distributor Assembly | | | | | | | X | X | X |
| NS | 8406-135 | Low Pressure Switch, Screw On, 14 PSIG | X | X | X | X | X | X | X | X | X |
| NS | CMH-19 | Low Ambient Control (Flare) (Optional) | X | X | X | X | X | X | X | X | X |
| NS | 5650-042 | Rev. Valve Solenoid, Red Casing (Ranco) | X | X | X | X | X | X | X | X | X |
| NS | 5650-046 | Rev. Valve Solenoid, Black Casing (San Hua) | X | X | X | X | X | X | X | X | X |
| NS | 5650-045 | 3-Way Valve with 24V Solenoid Coil | X | X | X | X | X | X | X | X | X |
| NS | 5650-043 | Flow Control (Orifice) | X | X | X | X | X | X | X | X | X |
| NS | 6031-009 | Coremax Core Valve | 2 | 2 | 2 | 2 | 2 | 2 | 2 | 2 | 2 |
| NS | CMH-14A | Outdoor Thermostat | X | X | X | X | X | X | X | X | X |

NS = Not Shown

This page intentionally left blank.

CONTROL PANEL COMPONENTS



SEXP-709 A

CONTROL PANEL COMPONENTS

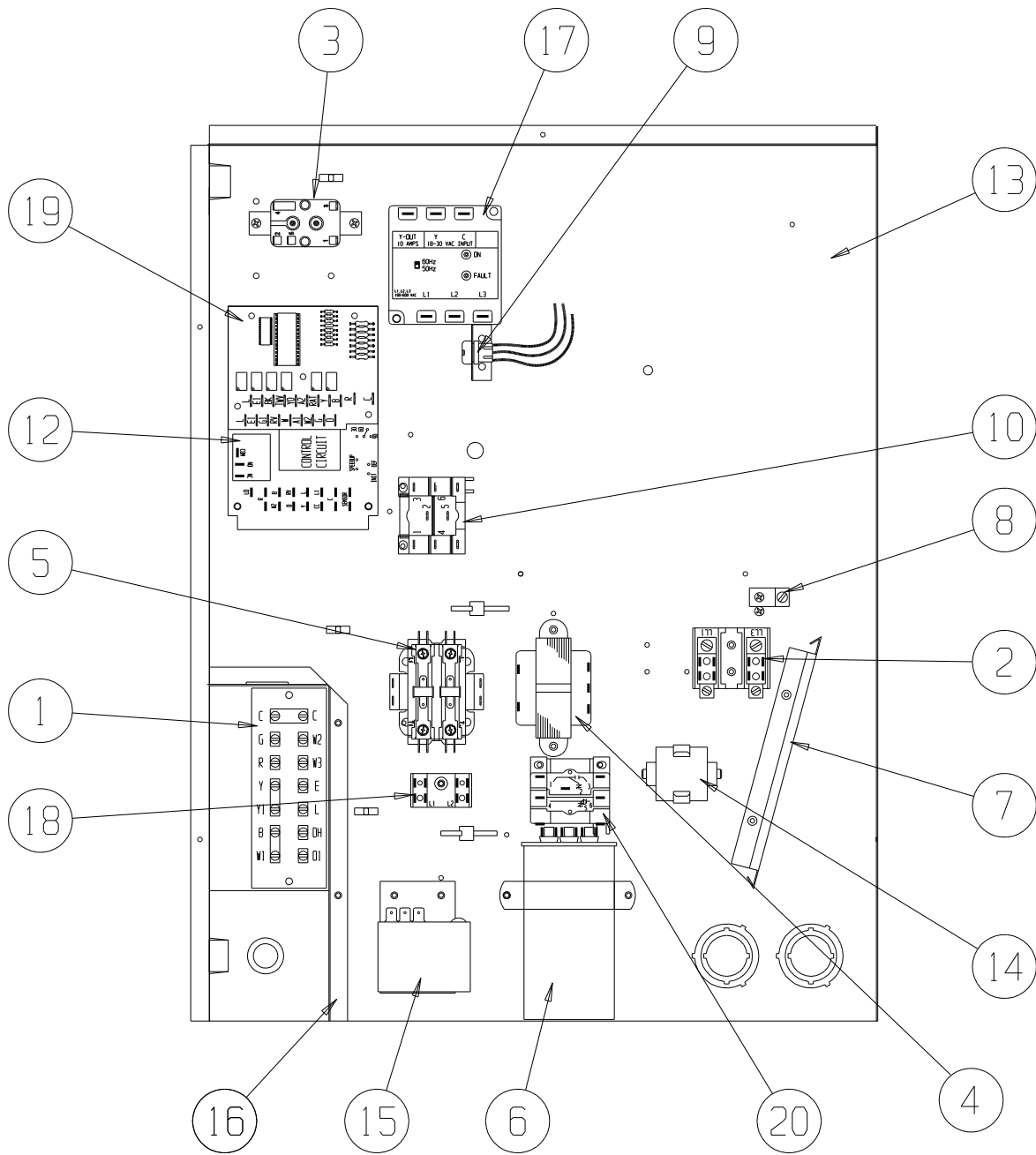
| Dwg No. | Part Number | Description | W42H2-A | W42H2-B | W42H2-C | W48H2-A | W48H2-B | W48H2-C | W60H2-A | W60H2-B | W60H2-C |
|---------|-------------|------------------------------|---------|---------|---------|---------|---------|---------|---------|---------|---------|
| 1 | 8607-019 | Low Voltage Terminal Strip | X | X | X | X | X | X | X | X | X |
| 2 | 8607-013 | Terminal Block 2 Pole | X | | | X | | | X | | |
| 2 | 8607-014 | Terminal Block 3 Pole | | X | X | | X | X | | X | X |
| 2 | 8607-015 | Phenolic Insulator | | X | | | X | | | X | |
| 3 | 8201-009 | Blower Control Relay | X | X | | X | X | | X | X | |
| 3 | 8201-032 | Blower Control Relay | | | X | | | X | | | X |
| 4 | 8407-068 | Transformer | X | X | | X | X | | X | X | |
| 4 | 8407-069 | Transformer | | | X | | | X | | | X |
| 5 | 8401-025 | Compressor Contactor | X | | | X | | | X | | |
| 5 | 8401-002 | Compressor Contactor | | X | X | | X | X | | X | X |
| 6 | 8552-089 | Compressor Capacitor | X | | | | | | | | |
| 6 | 8552-005 | Outdoor Motor Capacitor | | X | | | X | | | X | |
| 6 | 8552-004 | Outdoor Motor Capacitor | | | X | | | X | | | X |
| 6 | 8552-089 | Compressor Capacitor | | | | X | | | | | |
| 6 | 8552-058 | Compressor Capacitor | | | | | | | X | | |
| 7 | 135-130 | Wire Shield | X | X | X | X | X | X | X | X | X |
| 8 | 8611-006 | Ground Terminal | X | X | X | X | X | X | X | X | X |
| 9 | 3000-1282 | Wire Assembly | X | X | X | X | X | X | X | X | X |
| 10 | 8201-086 | Low Ambient Bypass Relay ① | X | X | X | X | X | X | X | X | X |
| 12 | 8620-223 | Heat Pump Control Board | X | X | X | X | X | X | X | X | X |
| 13 | 117X340 | Control Panel | X | X | X | X | X | X | X | X | X |
| 14 | 8551-004 | Start Device (PTCR) ① | X | | | X | | | X | | |
| 15 | 8201-032 | Outdoor Fan Relay | | | X | | | X | | | X |
| 16 | 117X139 | Low Voltage Box | X | X | X | X | X | X | X | X | X |
| 17 | 8201-126 | Phase Monitor | | X | X | | X | X | | X | X |
| NS | 3000-1222 | Compressor Wire Harness | X | | | X | | | X | | |
| NS | 3000-1231 | Compressor Wire Harness | | X | X | | X | X | | X | X |
| NS | 8615-040 | Circuit Breaker 50A 2 Pole ② | X | | | X | | | | | |
| NS | 8615-042 | Circuit Breaker 35A 3 Pole ② | | X | | | X | | | | |
| NS | 8615-041 | Circuit Breaker 50A 2 Pole ② | | | | | | | X | | |
| NS | 8615-043 | Circuit Breaker 35A 3 Pole ② | | | | | | | | X | |
| NS | 8615-067 | Toggle Disconnect ② | | | X | | | X | | | X |
| NS | 4096-139 | Wiring Diagram | X | | | X | | | X | | |
| NS | 4096-240 | Wiring Diagram | | X | | | X | | | X | |
| NS | 4096-339 | Wiring Diagram | | | X | | | X | | | X |

NS = Not Shown

① = Optional on these models

② = Circuit breakers listed are for units without electric heat "OZ" models.

CONTROL PANEL COMPONENTS – DEHUM. MODELS



SEXP-710 A

CONTROL PANEL COMPONENTS – DEHUM. MODELS

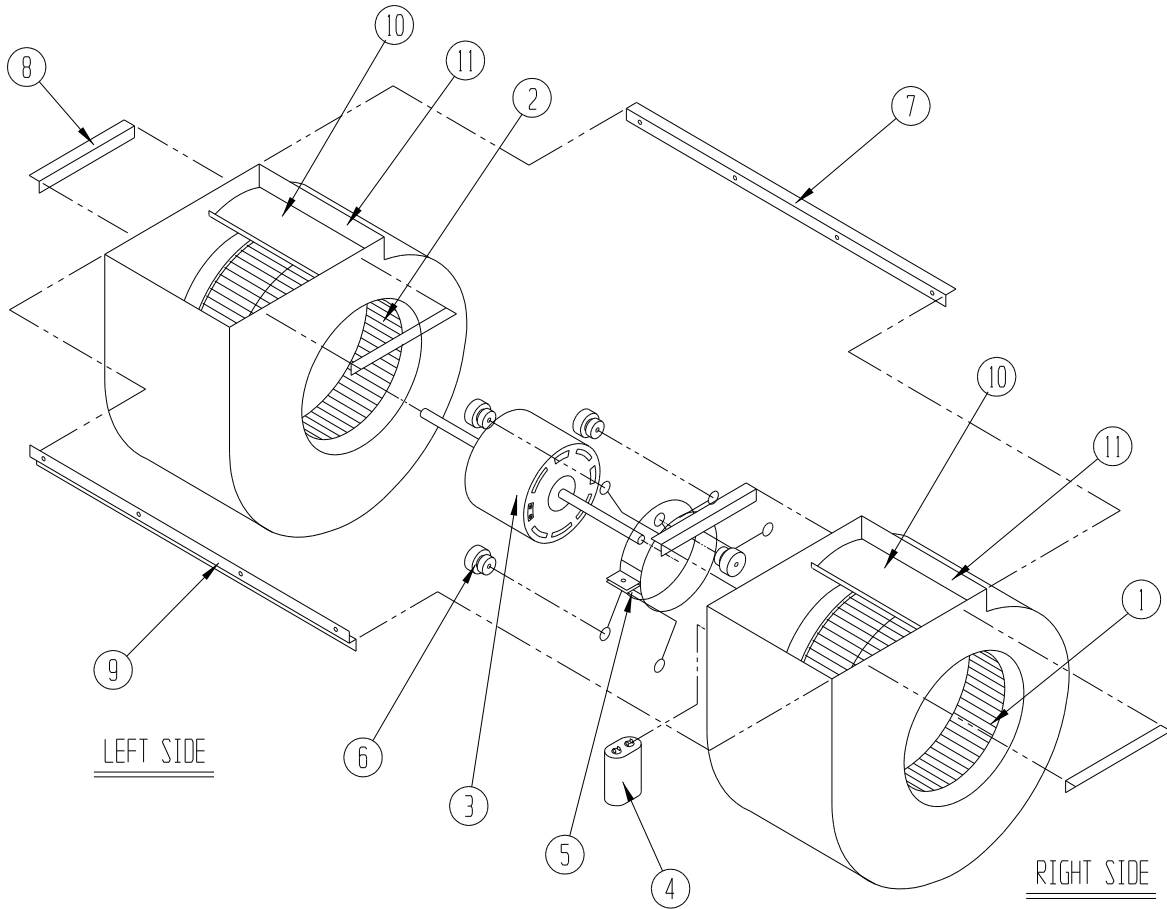
| Dwg No. | Part Number | Description | W42H2DA | W42H2DB | W42H2DC | W48H2DA | W48H2DB | W48H2DC | W60H2DA | W60H2DB | W60H2DC |
|---------|-------------|------------------------------|---------|---------|---------|---------|---------|---------|---------|---------|---------|
| 1 | 8607-019 | Low Voltage Terminal Strip | X | X | X | X | X | X | X | X | X |
| 2 | 8607-013 | Terminal Block 2 Pole | X | | | X | | | X | | |
| 2 | 8607-014 | Terminal Block 3 Pole | | X | X | | X | X | | X | X |
| 2 | 8607-015 | Phenolic Insulator | | | X | | | X | | | X |
| 3 | 8201-009 | Blower Control Relay | X | X | | X | X | | X | X | |
| 3 | 8201-032 | Blower Control Relay | | | X | | | X | | | X |
| 4 | 8407-065 | Transformer 75VA | X | X | | X | X | | X | X | |
| 4 | 8407-050 | Transformer 75VA | | | X | | | X | | | X |
| 5 | 8401-025 | Compressor Contactor | X | | | X | | | X | | |
| 5 | 8401-002 | Compressor Contactor | | X | X | | X | X | | X | X |
| 6 | 8552-089 | Compressor Capacitor | X | | | | | | | | |
| 6 | 8552-005 | Outdoor Motor Capacitor | | X | | | X | | | X | |
| 6 | 8552-004 | Outdoor Motor Capacitor | | | X | | | X | | | X |
| 6 | 8552-089 | Compressor Capacitor | | | | X | | | | | |
| 6 | 8552-058 | Compressor Capacitor | | | | | | | X | | |
| 7 | 135-130 | Wire Shield | X | X | X | X | X | X | X | X | X |
| 8 | 8611-006 | Ground Terminal | X | X | X | X | X | X | X | X | X |
| 9 | 3000-1167 | Wire Harness | X | X | X | X | X | X | X | X | X |
| 10 | 8201-086 | Low Ambient Bypass Relay ① | X | X | X | X | X | X | X | X | X |
| 12 | 8620-223 | Heat Pump Control Board | X | X | X | X | X | X | X | X | X |
| 13 | 117X340 | Control Panel | X | X | X | X | X | X | X | X | X |
| 14 | 8551-004 | Start Device (PTCR) ① | X | | | X | | | X | | |
| 15 | 8408-037 | Return Air Thermostat | X | X | X | X | X | X | X | X | X |
| 16 | 117X139 | Low Voltage Box | X | X | X | X | X | X | X | X | X |
| 17 | 8201-126 | Phase Monitor | | X | X | | X | X | | X | X |
| 18 | 8607-017 | Terminal Block ① | X | X | X | X | X | X | X | X | X |
| 19 | 8201-113 | Dehumidification Logic Board | X | X | X | X | X | X | X | X | X |
| 20 | 8201-032 | Outdoor Fan Relay | | | X | | | X | | | X |
| NS | 3000-1222 | Compressor Wire Harness | X | | | X | | | X | | |
| NS | 3000-1231 | Compressor Wire Harness | | X | X | | X | X | | X | X |
| NS | 8615-040 | Circuit Breaker 50A 2 Pole ② | X | | | X | | | | | |
| NS | 8615-042 | Circuit Breaker 35A 3 Pole ② | | X | | | X | | | | |
| NS | 8615-041 | Circuit Breaker 50A 2 Pole ② | | | | | | | X | | |
| NS | 8615-043 | Circuit Breaker 35A 3 Pole ② | | | | | | | | X | |
| NS | 8615-067 | Toggle Disconnect ② | | | X | | | X | | | X |
| NS | 4096-143 | Wiring Diagram | X | | | X | | | X | | |
| NS | 4096-244 | Wiring Diagram | | X | | | X | | | X | |
| NS | 4096-342 | Wiring Diagram | | | X | | | X | | | X |

NS = Not Shown

① = Optional on these models

② = Circuit breakers listed are for units without electric heat "OZ" models.

BLOWER ASSEMBLY



SEXP-178

| Dwg No. | Part Number | Description | S900-183 | S900-184 | S900-185 | S900-186 |
|---------|-------------|------------------------|----------|----------|----------|----------|
| 1 | 5152-011 | 10 Inch Wheel (CW) | | | X | X |
| 1 | 5152-057 | 9 Inch Wheel (CW) | X | X | | |
| 2 | 5152-012 | 10 Inch Wheel (CW) | | | X | X |
| 2 | 5152-058 | 9 Inch Wheel (CW) | X | X | | |
| 3 | 8106-046 | Blower Motor (230/208) | X | | X | |
| 3 | 8106-025 | Blower Motor (460) | | X | | X |
| 4 | 8552-005 | Capacitor | X | X | X | X |
| 5 | 8200-040 | Motor Mount | X | X | X | X |
| 6 | 5451-011 | Grommets | 6 | 6 | 6 | 6 |
| 7 | 105-881 | Back Brace | X | X | X | X |
| 8 | 105-880 | Side Angle | 4 | 4 | 4 | 4 |
| 9 | 103-389 | Front Brace | X | X | X | X |
| 10 | 151-101 | Housing | 2 | 2 | 2 | 2 |
| 11 | 144-166 | Diffuser | 2 | 2 | 2 | 2 |