

REPLACEMENT PARTS MANUAL

WALL MOUNT HEATER PACKAGE

MODELS: EHWAO2-A05 EHWAO2-A08 EHWAO2-A10
EHWA24-B06 EHWA24-A04 EHWAO2LA04
EWH02-A04 EWH02-A08
EWH24-B06 EWH24-C06

Manual 2110-602 Revision C Date 5-29-94 Supersedes 1-12-93

* GENERAL NOTES *

*Revised and/or additional pages may be issued from time to time.
*A complete and current manual consists of pages dated as shown in the following index.

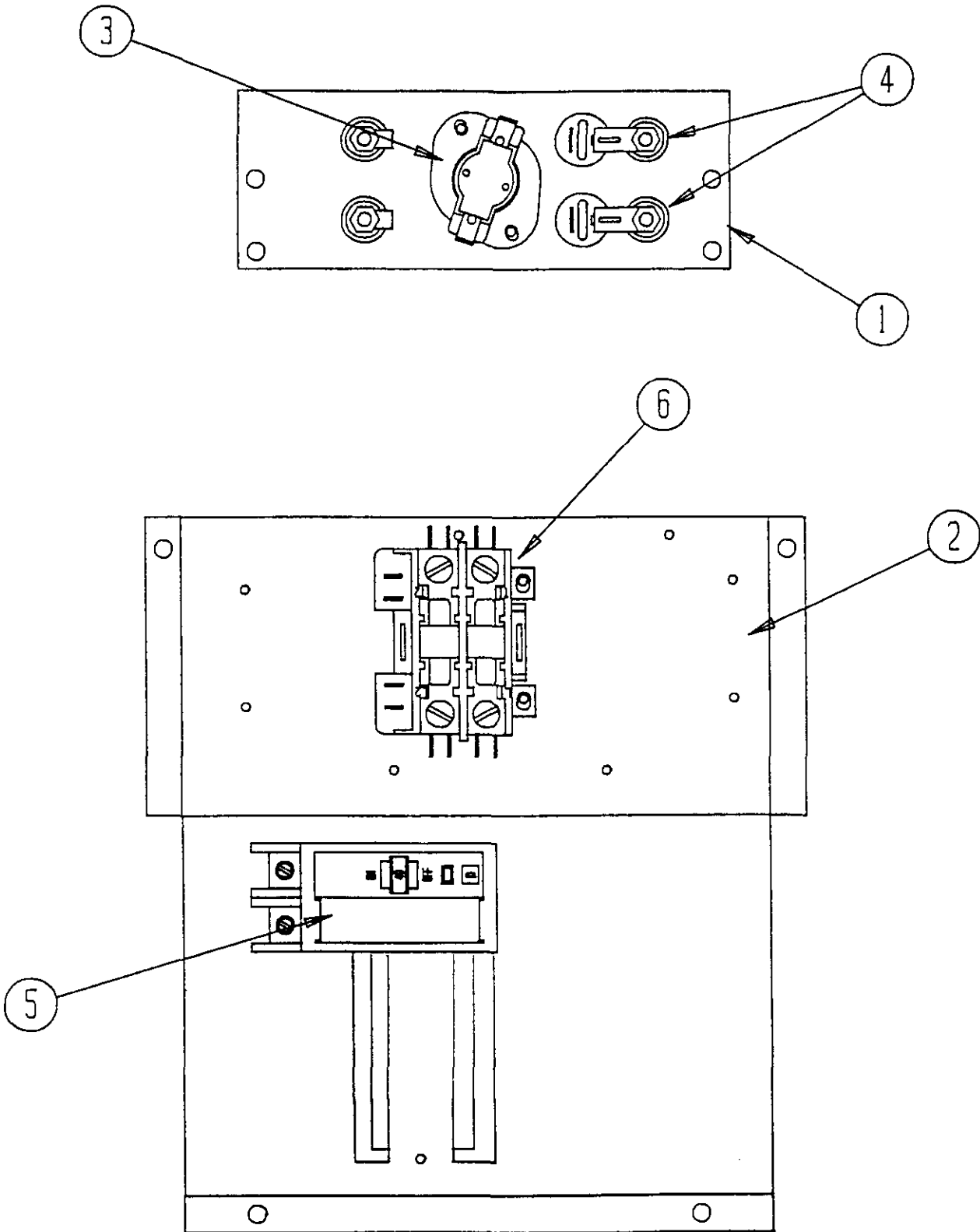
** INDEX **

<u>Page Description</u>	<u>Page</u>	<u>Date</u>	<u>Supersedes</u>
Heater Packages/Heat Pump--Exploded View	1	6-30-92	
" " " " --Usage List	2	5-29-94	1-12-93

*** IMPORTANT ***

Contact the installing and/or local Bard distributor for all parts requirements. Make sure you have the complete model and serial number available from the unit rating plate.

HEATER PACKAGES
HEAT PUMPS



Date: 06-30-92
Supersedes:

HEATER PACKAGES
HEAT PUMPS

Dwg. No.	Part No.	Description	E	E	E	E	E	E	E	E	E	E
			H	H	H	H	H	H	H	H	H	H
			W	W	W	W	W	W	W	W	W	W
			A	A	A	A	A	A	A	A	A	A
			0	0	0	2	0	0	2	2	2	2
			2	2	2	4	2	2	4	4	4	4
			-	-	-	-	-	-	-	-	-	-
			A	A	A	B	A	A	B	C	A	A
			0	0	1	0	0	0	0	0	0	0
			5	8	0	6	4	8	6	6	4	4
1	8604-089	Heat Strip 5KW	x									
1	8604-095	Heat Strip 10KW			x							
1	8604-090	Heat Strip 8KW		x				x				
1	8604-049	Heat Strip 6KW				x			x			
1	8604-088	Heat Strip 4KW					x				x	x
1	8604-079	Heat Strip 6KW								x		
2	127-210	Heater Control Base	x	x	x	x	x	x	x		x	x
2	127-211	Heater Control Base								x		
3	8402-065	Limit Control	x	x	x	x	x	x	x	x	x	x
4	8402-025	Thermal Cutoff		2		2		2	2			
4	8402-072	Thermal Cutoff	x				x				x	x
4	8402-030	Thermal Cutoff			2							
4	8402-059	Thermal Cutoff								2		
5	8615-036	Circuit Breaker 25A									x	x
5	8615-053	Pull Disconnect								x		
5	8615-037	Circuit Breaker 30A	x									
5	8615-042	Circuit Breaker 35A							x			
5	8615-041	Circuit Breaker 60A			x			x				
5	8615-055	Circuit Breaker 40A					x					
5	8615-039	Circuit Breaker 45A		x								
5	8615-051	Circuit Breaker 25A				x						
6	8401-006	Heat Contactor	x	x	x	x	x	x	x		x	x
6	8401-002	Heat Contactor								x		
	4097-121	Wiring Diagram					x					x
	4097-140	Wiring Diagram		x	x							
	4097-220	Wiring Diagram				x						
	4097-221	Wiring Diagram							x			
	4097-120	Wiring Diagram	x								x	
	4097-320	Wiring Diagram								x		
	4097-131	Wiring Diagram					x					

Date: 05-12-94
Supersedes: 01-12-93

2110-602

