

REPLACEMENT PARTS MANUAL

Wall Mount Heater Packages

Models:

EHS03A-A05B	EHS03H-C09	EHS05A-A10B	EHS03H-C06	EHT06H-A04B
EHS03A-A08B	EHS03H-C15	EHS05A-A15B	EHT02H-B06B	EHT06H-A05B
EHS03A-A10B	EHS04A-A05B	EHS05H-A05B	EHT03H-A04B	EHT06H-A08B
EHS03A-A15B	EHS04A-A08B	EHS05H-A10B	EHT03H-AF8B	EHT06H-A10B
EHS03A-B06B	EHS04A-A15B	EHS05H-A15B	EHT03H-AS8B	EHT06H-A15B
EHS03A-B09B	EHS04A-B09B	EHS05H-A20B	EHT03F-AF8B	EHT06H-A20B
EHS03A-B15B	EHS04A-B15B	EHS05H-B06B	EHT03H-B06B	EHT06H-B06B
EHS03A-C06	EHS04A-C06	EHS05H-B09B	EHT03H-B09B	EHT06H-B09B
EHS03A-C09	EHS04A-C09	EHS05H-B15B	EHT03H-C06	EHT06H-B15B
EHS03A-C15	EHS04A-C15	EHS05H-C06	EHT03H-C09	EHT06H-B18B
EHS03H-A05B	EHS04H-A04B	EHS05H-C09	EHT05H-A08B	EHWH36LA10B
EHS03H-A08B	EHS04H-A05B	EHS05H-C15	EHT05H-A10B	EHT06H-C06
EHS03H-A10B	EHS04H-A08B	EHS03H-A04B	EHT05H-A15B	EHT06H-C09
EHS03H-A15B	EHS04H-A10B	EHS03H-A08B	EHT05H-B06B	EHT06H-C15
EHS03H-B09B	EHS04H-A15B	EHS03H-B06B	EHT05H-B09B	EHT06H-C18
EHS03H-B15B	EHS05A-A05B			

General Notes

- Revised and/or additional pages may be issued from time to time.
- A complete and current manual consists of pages shown in the following contents section.

Important

- Contact the installing and/or local Bard distributor for all parts requirements. Make sure you have the complete model and serial number available from the unit rating plates.

Contents

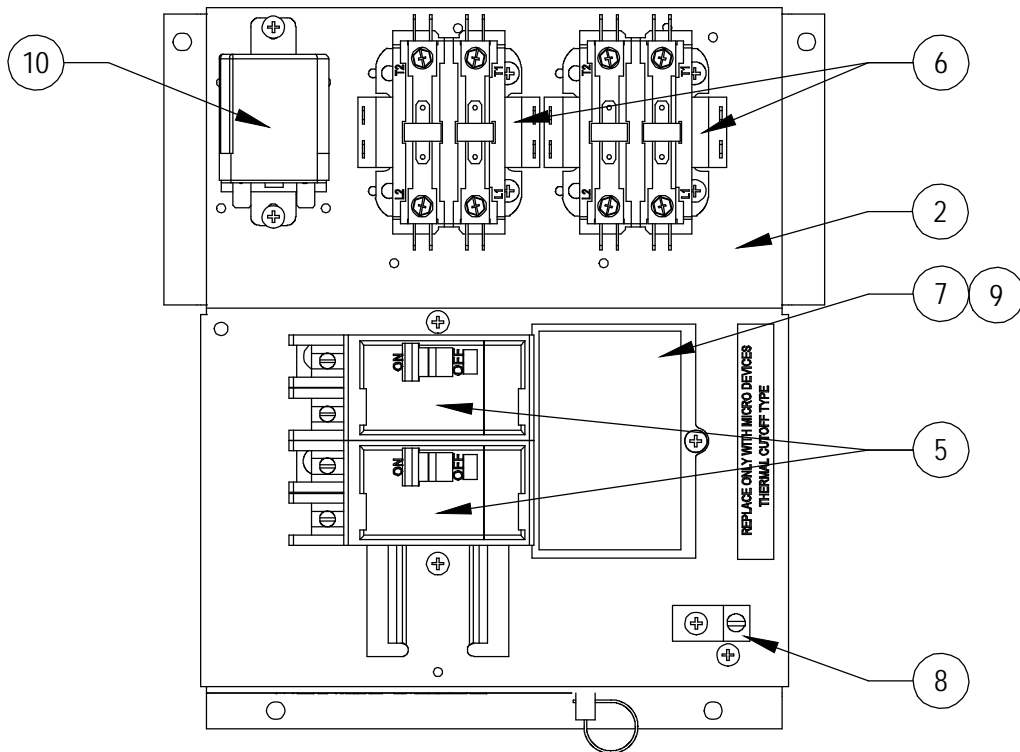
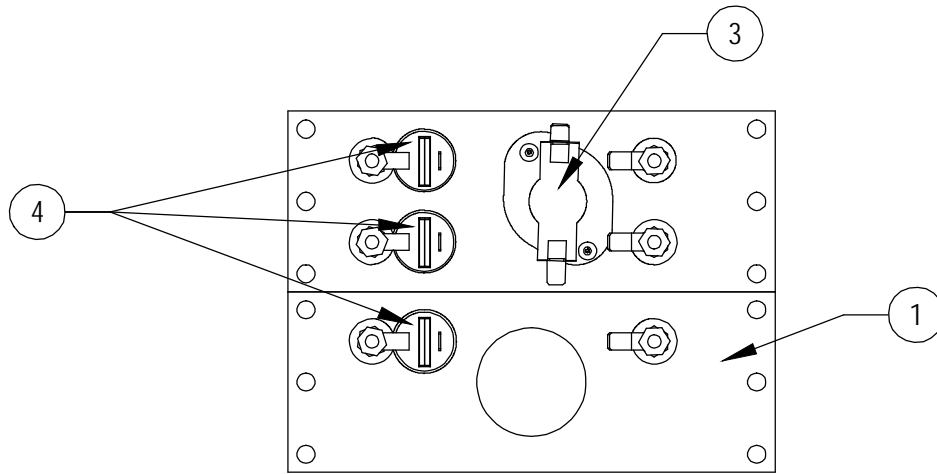
<i>Description</i>	<i>Page</i>
Heater Packages / Heat Pump	
◆ Exploded View (230 & 460 Volt)	2 & 3
◆ Usage List	4
◆ Usage List	5
◆ Usage List	6
◆ Usage List	7
Heater Packages / Air Conditioner	
◆ Exploded View (230 & 460 Volt)	2 & 3
◆ Usage List	8
◆ Usage List	9



Bard Manufacturing Company, Inc.
 Bryan, Ohio 43506
 www.bardvac.com

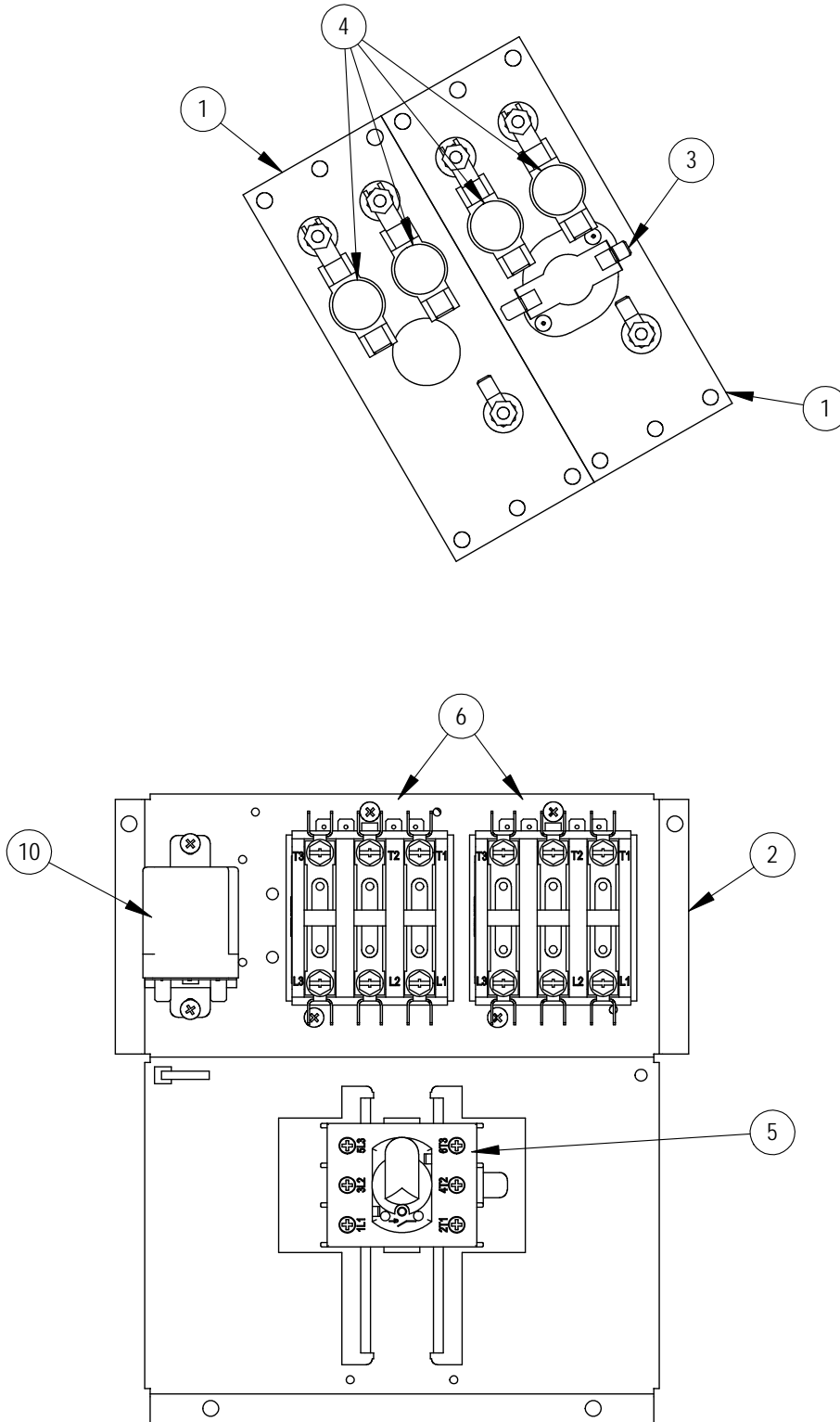
Manual: 2110-617H
 Supersedes: 2110-617G
 Date: 10-21-21

HEATER PACKAGES - 230 VOLT



SEXP-549

HEATER PACKAGES – 460 VOLT



SEXP-484 B

HEATER PACKAGES – HEAT PUMP

Drawing No.	Part No.	Description	ESH31-A04B	ESH31-A08B	ESH31-B06B	ESH31-C06	ESH3H-A05B	ESH3H-A08B	ESH3H-A10B	ESH3H-A15B	ESH3H-B09B	ESH3H-B15B	ESH3H-C09	ESH3H-C15	ESH04H-A04B	ESH04H-A05B
1	8604-048	Heat Strip 9 KW									X	X				
1	8604-049	Heat Strip 6 KW										X				
1	8604-088	Heat Strip 4 KW													X	
1	8604-089	Heat Strip 5 KW					X			X						X
1	8604-090	Heat Strip 8 KW						X								
1	8604-091	Heat Strip 10 KW							X	X						
1	8604-100	Heat Strip 6 KW				X								X		
1	8604-101	Heat Strip 9 KW											X	X		
1	8604-120	Heat Strip 8 KW		X												
1	8604-123	Heat Strip 6 KW			X											
1	8604-124	Heat Strip 4 KW	X													
2	127X210	Heater Control Base	X	X	X		X	X	X	X	X	X			X	X
2	127-321	Heater Control Base				X										
2	127604	Heater Control Base											X	X		
3	8402-047	Limit Control				X			X	X						
3	8402-065	Limit Control					X									
3	8402-074	Limit Control			X			X			X	X				
3	8402-118	Limit Control	X										X	X	X	X
3	8402-141	Limit Control		X												
4	8402-019	Thermal Cutoff							2	3						
4	8402-092	Thermal Cutoff	1	2	2											
4	8402-093	Thermal Cutoff						3								
4	8402-094	Thermal Cutoff									2	4				
4	8402-096	Thermal Cutoff					1						2	4	1	1
4	8402-128	Thermal Cutoff				2										
5	8615-037	Circuit Breaker 30A														X
5	8615-039	Circuit Breaker 45A	X					2		X						X
5	8615-040	Circuit Breaker 50A		X					X	X						
5	8615-041	Circuit Breaker 60A					X		X	X					X	
5	8615-043	Circuit Breaker 40A 3 PH			X											
5	8615-046	Circuit Breaker 60A 3 PH									X	X				
5	S8615-095	Toggle Disconnect				X								X		
5	S8615-101	Rotary Disconnect											X	X		
6	8401-006	Heat Contactor	X	X			X		X	X					X	X
6	8401-025	Heat Contactor						X	X	X						
6	8401-002	Heat Contactor 3 PH		X	X	X					X	2	X	X		
7	8615-047	Jumper Bar Base 4 Pole						X	X	X						X
8	8611-006	Ground Terminal						X	X	X						X
9	8615-049	Jumper Bar Cover 4 Pole						X	X	X						X
10	8201-013	Relay		X												
10	8201-048	Relay					X	X	X	X	X	X	X	X	X	X
NS	4097-121	Wiring Diagram	X													
NS	4097-145	Wiring Diagram		X												
NS	4097-221	Wiring Diagram			X											
NS	4097-322	Wiring Diagram				X										
NS	4116-101	Wiring Diagram					X								X	
NS	4116-102	Wiring Diagram						X								X
NS	4116-103	Wiring Diagram							X	X						
NS	4116-104	Wiring Diagram								X						
NS	4116-201	Wiring Diagram									X					
NS	4116-202	Wiring Diagram										X				
NS	4116-301	Wiring Diagram											X			
NS	4116-302	Wiring Diagram												X		

NS = Not Shown

HEATER PACKAGES - HEAT PUMP

Drawing No.	Part No.	Description	EH04H-A08B	EH04H-A10B	EH04H-A15B	EH05H-A05B	EH05H-A10B	EH05H-A15B	EH05H-A20B	EH05H-B06B	EH05H-B09B	EH05H-B15B	EH05H-C06	EH05H-C09	EH05H-C15	EHWH36LA10B
1	8604-048	Heat Strip 9 KW								X	X					
1	8604-049	Heat Strip 6 KW								X	X					
1	8604-089	Heat Strip 5 KW			X	X		X								
1	8604-090	Heat Strip 8 KW	X													
1	8604-091	Heat Strip 10 KW		X	X		X	X	2							
1	8604-095	Heat Strip 10 KW														X
1	8604-100	Heat Strip 6 KW											X		X	
1	8604-101	Heat Strip 9 KW												X	X	
2	127X210	Heater Control Base	X	X	X	X	X	X	X	X	X	X				X
2	127-604	Heater Control Base											X	X	X	
3	8402-047	Limit Control		X			X									
3	8402-069	Limit Control						X								X
3	8402-074	Limit Control			X			X	X	X			X			
3	8402-118	Limit Control				X										
3	8402-172	Limit Control	X							X	X			X	X	
4	8402-019	Thermal Cutoff		2			2									
4	8402-093	Thermal Cutoff	2		3			3	4	2						
4	8402-094	Thermal Cutoff											2	2	4	
4	8402-096	Thermal Cutoff				1										2
4	8402-114	Thermal Cutoff									2	4				
5	8615-037	Circuit Breaker 30A				X										
5	8615-039	Circuit Breaker 45A	X													
5	8615-040	Circuit Breaker 50A	X	X	X											
5	8615-041	Circuit Breaker 60A		X	X	X	X	2								X
5	8615-045	Circuit Breaker 50A 3 PH								X						
5	8615-046	Circuit Breaker 60A 3 PH									X	X				
5	S8615-101	Rotary Disconnect											X	X	X	
6	8401-006	Heat Contactor				X										X
6	8401-025	Heat Contactor	X	X	X		X	X								X
6	8401-002	Heat Contactor 3 PH			X			X	2	X	X	2	X	X	2	
7	8615-047	Jumper Bar Base 4 Pole	X	X	X	X	X	X								
7	8615-048	Jumper Bar Base 6 Pole							X							
8	8611-006	Ground Terminal	X	X	X	X	X	X	X							
9	8615-049	Jumper Bar Cover 4 Pole	X	X	X	X	X	X								
9	8615-050	Jumper Bar Cover 6 Pole							X							
10	8201-013	Relay														X
10	8201-048	Relay	X	X	X	X	X	X	X	X	X	X	X	X	X	
NS	4116-102	Wiring Diagram				X										
NS	4116-103	Wiring Diagram	X	X			X									
NS	4116-104	Wiring Diagram			X			X								
NS	4116-105	Wiring Diagram							X							
NS	4116-201	Wiring Diagram								X	X					
NS	4116-202	Wiring Diagram										X				
NS	4116-301	Wiring Diagram											X	X		
NS	4116-302	Wiring Diagram													X	
NS	4097-145	Wiring Diagram														X

NS = Not Shown

HEATER PACKAGES – HEAT PUMP

Drawing No.	Part No.	Description	EH02H-B06B	EH03H-A04B	EH03H-AS8B	EH03H-AF8B	EH03H-B06B	EH03H-B09B	EH03H-C06	EH03H-C09	EH05H-B09B	EH05H-B06B	EH05H-A15B	EH05H-A10B	EH05H-A08B	EH03F-AF8B
1	8604-048	Heat Strip 9 KW 240V 3 Term L					X	X			X					
1	8604-049	Heat Strip 6 KW 240V 3 Term L	X									X				
1	8604-089	Heat Strip 5 KW 240V 2 Term L											X			
1	8604-090	Heat Strip 8 KW 240V 4 Term L			X	X									X	X
1	8604-091	Heat Strip 10 KW 240V 4 Term L											X	X		
1	8604-088	Heat Strip 4 KW 240V 2 Term		X												
1	8604-100	Heat Strip 6 KW 480V 3 Term							X							
1	8604-101	Heat Strip 9 KW 480V 3 Term								X						
2	127X210	Heater Control Base	X	X	X	X	X	X			X	X	X	X	X	X
2	127-604	Heater Control Base							X	X						
3	8402-047	Limit Control	X		X	X	X	X		X	X	X	X	X		X
3	8402-074	Limit Control		X											X	
3	8402-118	Limit Control														
3	8402-172	Limit Control							X							
4	8402-019	Thermal Cutoff											3	2		
4	8402-093	Thermal Cutoff			2	2					2	2			2	2
4	8402-128	Thermal Cutoff						2								
4	8402-138	Thermal Cutoff							2							
4	8402-092	Thermal Cutoff	2	1			2	2								
5	8615-037	Circuit Breaker 30A 2-Pole														X
5	8615-038	Circuit Breaker 35A 2-Pole				X							X	X	X	X
5	8615-039	Circuit Breaker 45A 2-Pole				X									X	X
5	8615-040	Circuit Breaker 50A 2-Pole		X	X											
5	8615-041	Circuit Breaker 60A 2-Pole										X	X			
5	8615-044	Circuit Breaker 45A 3-Pole						X				X				
5	8615-045	Circuit Breaker 50A 3-Pole									X					
5	8615-042	Circuit Breaker 35A 3-Pole	X													
5	8615-043	Circuit Breaker 50A 2-Pole					X									
5	S8615-101	Rotary Disconnect							X	X						
6	8401-006	Heat Contactor		X	2								X	X	X	X
6	8401-025	Heat Contactor				X							X	X	X	X
6	8401-002	Heat Contactor	X				X	X	X	X	X	X				
7	8615-047	Jumper Bar Base 4 Pole				X							X	X	X	X
8	8611-006	Ground Terminal				X							X	X	X	X
9	8615-049	Jumper Bar Cover 4 Pole				X							X	X	X	X
10	8201-048	Relay, DPDT, 5A @277V	X	X	X	X	X	X	X	X	X	X	X	X	X	X
NS	3000-1326	Wiring Assembly									X	X	X	X	X	
NS	3000-1375	Wiring Assembly	X	X	X	X	X	X	X	X						X
NS	4116-103A	Wiring Diagram				X								X	X	X
NS	4116-104A	Wiring Diagram											X			
NS	4116-111	Wiring Diagram			X											
NS	4116-201A	Wiring Diagram	X				X	X			X	X				
NS	4116-101	Wiring Diagram		X												
NS	4116-301	Wiring Diagram							X	X						
NS	8615-061	Cover Plate 3PH									X	X				

NS = Not Shown

HEATER PACKAGES - HEAT PUMP

Drawing No.	Part No.	Description	EH06H-A04B	EH06H-A05B	EH06H-A08B	EH06H-A10B	EH06H-A15B	EH06H-A20B	EH06H-B06B	EH06H-B09B	EH06H-B15B	EH06H-B18B	EH06H-C06	EH06H-C09	EH06H-C15	EH06H-C18
1	8604-088	Heat Strip 4 KW 240V 2 Term	X													
1	8604-100	Heat Strip 6 KW 480V 3 Term											X		X	
1	8604-101	Heat Strip 9 KW 480V 3 Term												X	X	X
1	8604-116	Heat Strip 10 KW 240V 4 Term				X	X	X								
1	8604-118	Heat Strip 5 KW 240V 2 Term L		X			X									
1	8604-120	Heat Strip 8 KW 240V 4 Term			X											
1	8604-121	Heat Strip 9 KW 240V 3 Term L								X	X	X				
1	8604-126	Heat Strip 6 KW 240V 3 Term L							X		X					
2	127-604	Heater Control Base											X	X	X	X
2	127X210	Heater Control Base - RH	X	X	X	X	X	X	X	X	X	X				
3	8402-118	Limit Control	X													
3	8402-125	Limit Control L220 Manual Reset						X	X	X	X	X	X	X	X	X
3	8402-150	Limit Control L200 Manual Reset		X	X	X	X	X								
4	8402-096	Thermal Cutoff	X													
4	8402-151	Limit Control Line BKT				X	X	X		X	X	X		X	X	X
4	8402-156	Limit Control Line BKT		X	X				X				X			
5	8615-037	Circuit Breaker 30A 2-Pole		X												
5	8615-040	Circuit Breaker 50A 2-Pole		X	X	X	X	X								
5	8615-041	Circuit Breaker 60A 2-Pole	X			X	X	2								
5	8615-045	Circuit Breaker 50A 3-Pole							X							
5	8615-046	Circuit Breaker 60A 3-Pole								X	X	X				
5	8615-052	Circuit Breaker 30A 3-Pole									X	X				
5	S8615-101	Rotary Disconnect											X	X	X	X
6	8401-006	Heat Contactor	X	X		X	X									
6	8401-025	Heat Contactor			X	X	X	2								
6	8401-002	Heat Contactor							X	X	2	2	X	X	2	2
7	8615-047	Jumper Bar Base 4 Pole		X	X	X	X									
7	8615-048	Jumper Bar Base 6 Pole						X								
8	8611-006	Terminal	X	X	X	X	X	X								
9	8615-049	Jumper Bar Cover 4 Pole		X	X	X	X									
9	8615-050	Jumper Bar Cover 6 Pole						X								
10	8201-048	Relay, DPDT, 5A@277V	X	X	X	X	X	X	X	X	X	X	X	X	X	X
NS	4116-101A	Wiring Diagram	X													
NS	4116-112	Wiring Diagram		X												
NS	4116-113	Wiring Diagram			X	X										
NS	4116-114	Wiring Diagram					X									
NS	4116-115	Wiring Diagram						X								
NS	4116-211	Wiring Diagram							X	X						
NS	4116-212	Wiring Diagram									X					
NS	4116-213	Wiring Diagram										X				
NS	4116-311	Wiring Diagram											X	X		
NS	4116-312	Wiring Diagram													X	X

NS = Not Shown

HEATER PACKAGES – AIR CONDITIONER

Drawing No.	Part No.	Description	EHS03A-A05B	EHS03A-A08B	EHS03A-A10B	EHS03A-A15B	EHS03A-B06B	EHS03A-B09B	EHS03A-B15B	EHS03A-C06	EHS03A-C09	EHS03A-C15	EHS04A-A05B
1	8604-048	Heat Strip 9 KW						X	X				
1	8604-049	Heat Strip 6 KW					X		X				
1	8604-089	Heat Strip 5 KW	X			X							X
1	8604-090	Heat Strip 8 KW		X									
1	8604-091	Heat Strip 10 KW			X	X							
1	8604-100	Heat Strip 6 KW								X		X	
1	8604-101	Heat Strip 9 KW									X	X	
2	127X210	Heater Control Base	X	X	X	X	X	X	X				X
2	127-604	Heater Control Base								X	X	X	
3	8402-047	Limit Control			X								
3	8402-065	Limit Control	X										
3	8402-074	Limit Control		X			X	X					
3	8402-075	Limit Control							X				
3	8402-118	Limit Control								X	X		X
3	8402-141	Limit Control										X	
3	8402-174	Limit Control				X							
4	8402-019	Thermal Cutoff			2	3							
4	8402-093	Thermal Cutoff		2			2	2	4				
4	8402-094	Thermal Cutoff								2	2	4	
4	8402-096	Thermal Cutoff	1										1
5	8615-037	Circuit Breaker 30A			X								
5	8615-039	Circuit Breaker 45A	X		X	X							
5	8615-040	Circuit Breaker 50A		X									X
5	8615-041	Circuit Breaker 60A				X							
5	8615-042	Circuit Breaker 35A 3 PH					X						
5	8615-043	Circuit Breaker 40A 3 PH						X					
5	8615-046	Circuit Breaker 60A 3 PH							X				
5	S8615-101	Rotary Disconnect								X	X	X	
6	8401-006	Heat Contactor	X		2	X							X
6	8401-025	Heat Contactor		X		X							
6	8401-002	Heat Contactor 3 PH					X	X	2	X	X	2	
7	8615-047	Jumper Bar Base 4 Pole			X	X							
8	8611-006	Ground Terminal			X	X							
9	8615-049	Jumper Bar Cover 4 Pole			X	X							
10	8201-062	Relay	X	X	X	X	X	X	X	X	X	X	X
NS	4116-106	Wiring Diagram	X										X
NS	4116-107	Wiring Diagram		X									
NS	4116-108	Wiring Diagram			X								
NS	4116-109	Wiring Diagram				X							
NS	4116-203	Wiring Diagram					X	X					
NS	4116-204	Wiring Diagram							X				
NS	4116-303	Wiring Diagram								X	X		
NS	4116-304	Wiring Diagram										X	

NS = Not Shown

HEATER PACKAGES – AIR CONDITIONER

Drawing No.	Part No.	Description	EHS04A-A08B	EHS04A-A15B	EHS04A-B09B	EHS04A-B15B	EHS04A-C06	EHS04A-C09	EHS04A-C15	EHS05A-A05B	EHS05A-A10B	EHS05A-A15B
1	8604-048	Heat Strip 9 KW			X	X						
1	8604-049	Heat Strip 6 KW				X						
1	8604-089	Heat Strip 5 KW		X						X		X
1	8604-090	Heat Strip 8 KW	X									
1	8604-091	Heat Strip 10 KW		X							X	X
1	8604-100	Heat Strip 6 KW					X		X			
1	8604-101	Heat Strip 9 KW						X	X			
2	127X210	Heater Control Base	X	X	X	X				X	X	X
2	127-211	Heater Control Base					X	X	X			
3	8402-047	Limit Control					X				X	
3	8402-074	Limit Control										X
3	8402-075	Limit Control		X								
3	8402-118	Limit Control								X		
3	8402-172	Limit Control	X		X			X				
3	8402-173	Limit Control				X			X			
4	8402-019	Thermal Cutoff									2	
4	8402-093	Thermal Cutoff	2	3	2	4						3
4	8402-094	Thermal Cutoff					2	2	4			
4	8402-096	Thermal Cutoff								1		
5	8615-037	Circuit Breaker 30A									X	
5	8615-040	Circuit Breaker 50A		X								
5	8615-041	Circuit Breaker 60A	X	X						X	X	2
5	8615-044	Circuit Breaker 45A 3 PH			X							
5	8615-046	Circuit Breaker 60A 3 PH				X						
5	S8615-101	Rotary Disconnect					X	X	X			
6	8401-006	Heat Contactor		X						X	2	X
6	8401-025	Heat Contactor	X	X								X
6	8401-002	Heat Contactor 3 PH			X	2	X	X	2			
7	8615-047	Jumper Bar Base 4 Pole		X							X	X
8	8611-006	Ground Terminal		X							X	X
9	8615-049	Jumper Bar Cover 4 Pole		X							X	X
10	8201-062	Relay	X	X	X	X	X	X	X	X	X	X
NS	4116-106	Wiring Diagram								X		
NS	4116-107	Wiring Diagram	X									
NS	4116-108	Wiring Diagram									X	
NS	4116-109	Wiring Diagram		X								X
NS	4116-203	Wiring Diagram			X							
NS	4116-204	Wiring Diagram				X						
NS	4116-303	Wiring Diagram					X	X				
NS	4116-304	Wiring Diagram							X			

NS = Not Shown