

---

# REPLACEMENT PARTS MANUAL

## WALL MOUNT HEATER PACKAGES

**Models:**   EHWA3S-B06B/B06LB           EHWA5S-B06B/B06LB  
                   EHWA4S-A05B/A05LB           EHWA5S-B09B/B09LB  
                   EHWA4S-A10B/A10LB           EHWA5S-B15B/B15LB  
                   EHWA4S-A15B/A15LB           EHWA5S-C06/C06L  
                   EHWA4S-A20B/A20LB           EHWA5S-C09/C09L  
                   EHWA5S-A05B/A05LB           EHWA5S-C15/C15L  
                   EHWA5S-A10B/A10LB           EHWA5S-A08B/A08L  
                   EHWA5S-A15B/A15LB  
                   EHWA5S-A20B/A20LB

---

### General Notes

- Revised and/or additional pages may be issued from time to time.
- A complete and current manual consists of pages shown in the following contents section.

### Contents

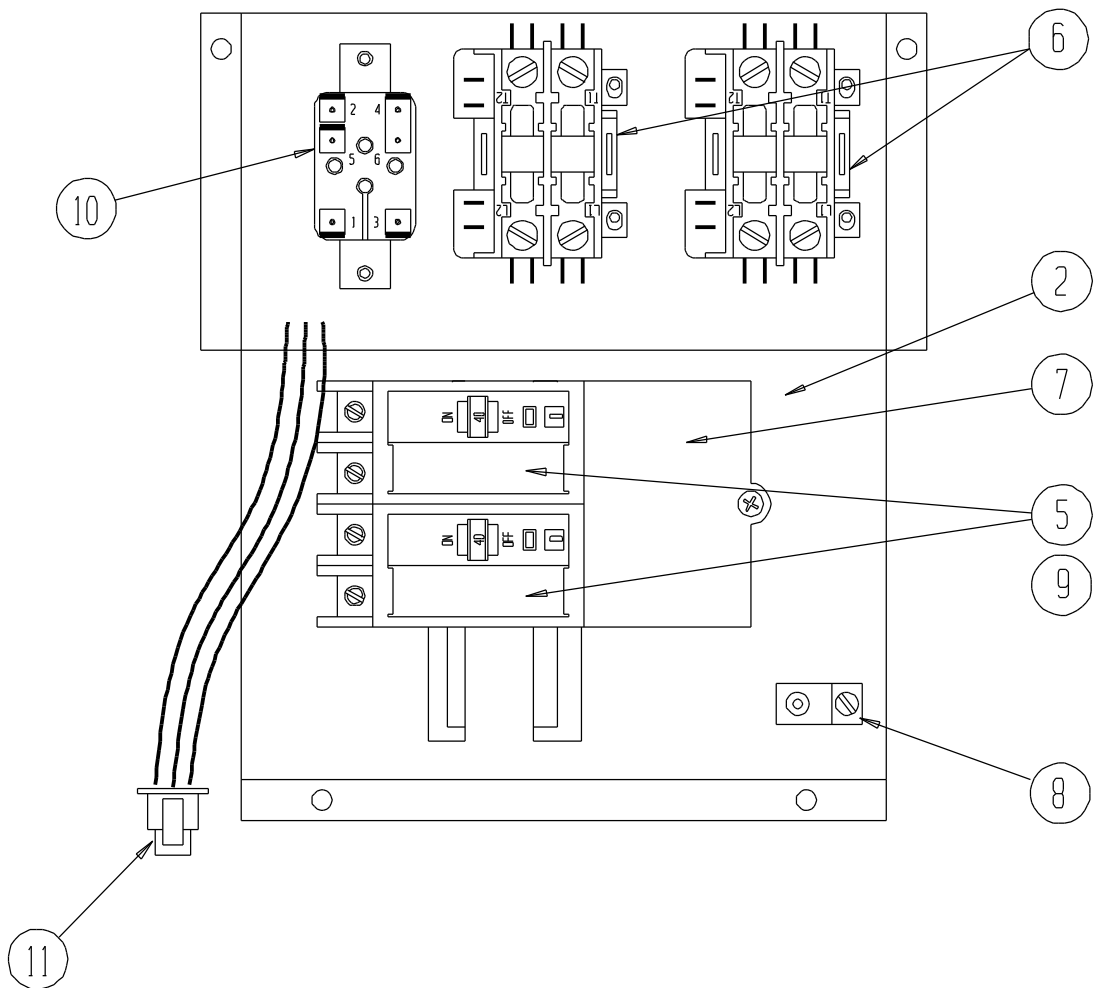
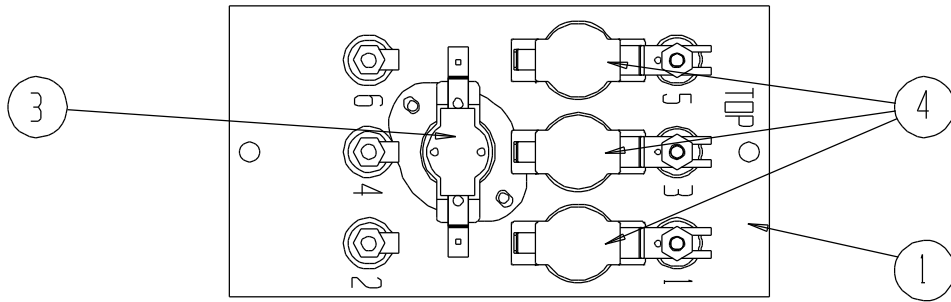
Description	Page
<b>Functional Components</b>	
-A, 208/230 Volt 1 Phase Models	<ul style="list-style-type: none"> <li>◆ Exploded View ..... 2</li> <li>◆ Usage List..... 3</li> </ul>
-B, 208/230 Volt 3 Phase Models	<ul style="list-style-type: none"> <li>◆ Exploded View ..... 4</li> <li>◆ Usage List..... 5</li> </ul>
-C, 480 Volt 3 Phase Models	<ul style="list-style-type: none"> <li>◆ Exploded View ..... 6</li> <li>◆ Usage List..... 7</li> </ul>



Bard Manufacturing Company, Inc.  
 Bryan, Ohio 43506  
*Since 1914...Moving ahead, just as planned.*

Manual:           2110-618C  
 Supersedes:   2110-618B  
 File:             Tab 18  
 Date:             09-08-14

# FUNCTIONAL COMPONENTS -A, 208/230 Volt (1 Phase Models)



SEXP-450

## FUNCTIONAL COMPONENTS -A, 208/230 Volt (1 Phase Models)

Drawing No.	Part No.	Description	EHWA4S-A05B	EHWA4S-A10B	EHWA4S-A15B	EHWA4S-A20B	EHWA5S-A05B	EHWA5S-A08B	EHWA5S-A10B	EHWA5S-A15B	EHWA5S-A20B
1	8604-116	Heat Strip 5 KW		X		2			X		2
1	8604-117	Heat Strip 15 KW			X		X			X	
1	8604-118	Heat Strip 5 KW	X				X				
1	8604-125	Heat Strip 8 KW						X			
2	127X210	Heater Control Base	X	X	X	X	X	X	X	X	X
3	8402-120	Limit Control Device, Manual Reset			X					X	
3	8402-149	Limit Control Device, Manual Reset				X					X
3	8402-150	Limit Control Device, Manual Reset		X					X		
3	8402-157	Limit Control Device, Manual Reset	X				X				
3	8402-159	Limit Control Device, Manual Reset						X			
4	8402-121	Line Break Limit with Backup		X	X	X			X	X	X
4	8402-156	Line Break Limit with Backup	X				X				
4	8402-158	Line Break Limit with Backup						X			
5	8615-037	Circuit Breaker 30A		X	X	X			X		X
5	8615-039	Circuit Breaker 45A	X	X	X	X					
5	8615-040	Circuit Breaker 50A					X		X	X	X
5	8615-041	Circuit Breaker 60A			X	X		X		X	X
6	8401-002	Heater Contactor 3-Pole	X				X				
6	8401-006	Heater Contactor 2-Pole		2	X				2	X	
6	8401-025	Heater Contactor 2-Pole			X	2		X		X	2
7	8615-047	Jumper Bar 4-Pole		X	X				X	X	
7	8615-048	Jumper Bar 6-Pole				X					X
8	8611-006	Ground Terminal		X	X	X			X	X	X
9	8615-049	Jumper Bar Cover		X	X				X	X	
9	8615-050	Jumper Bar Cover				X					X
10	8201-062	Blower Interlock Relay	X	X	X	X	X	X	X	X	X
11	3000-1228	Low Voltage Wire Harness	X	X			X	X	X		
11	3000-1229	Low Voltage Wire Harness			X	X				X	X
NS	4097-176	Wiring Diagram	X				X				
NS	4097-177	Wiring Diagram		X					X		
NS	4097-178	Wiring Diagram			X					X	
NS	4097-179	Wiring Diagram				X					X
NS	4097-180	Wiring Diagram						X			

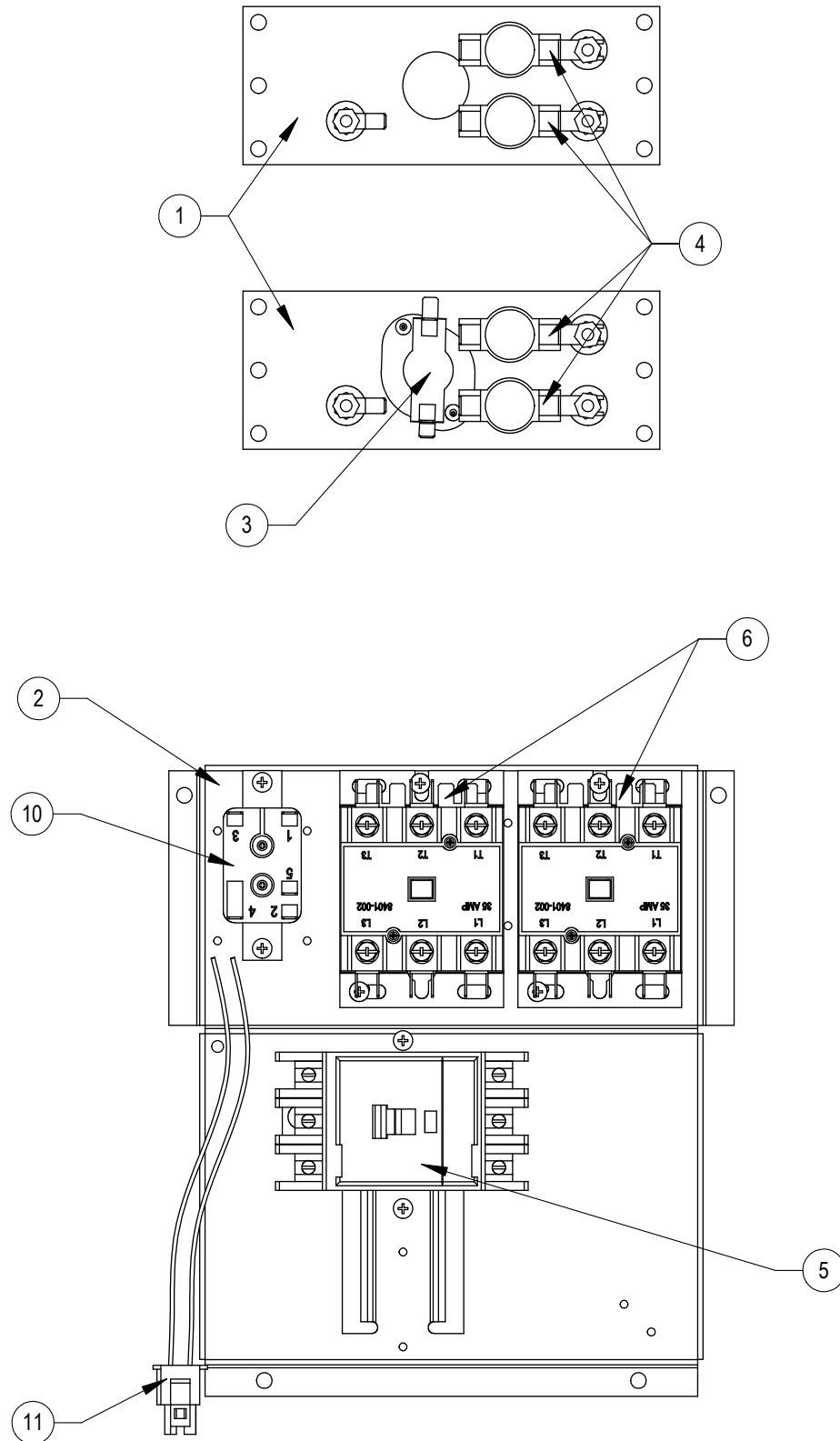
NS = Not Shown

# FUNCTIONAL COMPONENTS -A, 208/230 Volt (1 Phase Models)

Drawing No.	Part No.	Description	EHWA4S-A05LB	EHWA4S-A10LB	EHWA4S-A15LB	EHWA4S-A20LB	EHWA5S-A05LB	EHWA5S-A08LB	EHWA5S-A10LB	EHWA5S-A15LB	EHWA5S-A20LB
1	8604-116	Heat Strip 5 KW		X		2			X		2
1	8604-117	Heat Strip 15 KW			X					X	
1	8604-118	Heat Strip 5 KW	X				X				
1	8604-125	Heat Strip 8 KW						X			
2	127Y210	Heater Control Base	X	X	X	X	X	X	X	X	X
3	8402-120	Limit Control Device, Manual Reset			X					X	
3	8402-149	Limit Control Device, Manual Reset				X					X
3	8402-150	Limit Control Device, Manual Reset		X					X		
3	8402-157	Limit Control Device, Manual Reset	X				X				
3	8402-159	Limit Control Device, Manual Reset						X			
4	8402-121	Line Break Limit with Backup		X	X	X			X	X	X
4	8402-156	Line Break Limit with Backup	X				X				
4	8402-158	Line Break Limit with Backup						X			
5	8615-037	Circuit Breaker 30A		X		X			X		X
5	8615-039	Circuit Breaker 45A	X	X	X	X					
5	8615-040	Circuit Breaker 50A					X		X	X	X
5	8615-041	Circuit Breaker 60A			X	X		X		X	X
6	8401-002	Heater Contactor 3-Pole	X				X				
6	8401-006	Heater Contactor 2-Pole		2	X				2	X	
6	8401-025	Heater Contactor 2-Pole			X	2		X		X	2
7	8615-047	Jumper Bar 4-Pole		X	X				X	X	
7	8615-048	Jumper Bar 6-Pole				X					X
8	8611-006	Ground Terminal		X	X	X			X	X	X
9	8615-049	Jumper Bar Cover		X	X				X	X	
9	8615-050	Jumper Bar Cover				X					X
10	8201-062	Blower Interlock Relay	X	X	X	X	X	X	X	X	X
11	3000-1228	Low Voltage Wire Harness	X	X			X	X	X		
11	3000-1229	Low Voltage Wire Harness			X	X				X	X
NS	4097-176	Wiring Diagram	X				X				
NS	4097-177	Wiring Diagram		X					X		
NS	4097-178	Wiring Diagram			X					X	
NS	4097-179	Wiring Diagram				X					X
NS	4097-180	Wiring Diagram						X			

NS = Not Shown

# FUNCTIONAL COMPONENTS -B, 208/230 Volt (3 Phase Models)



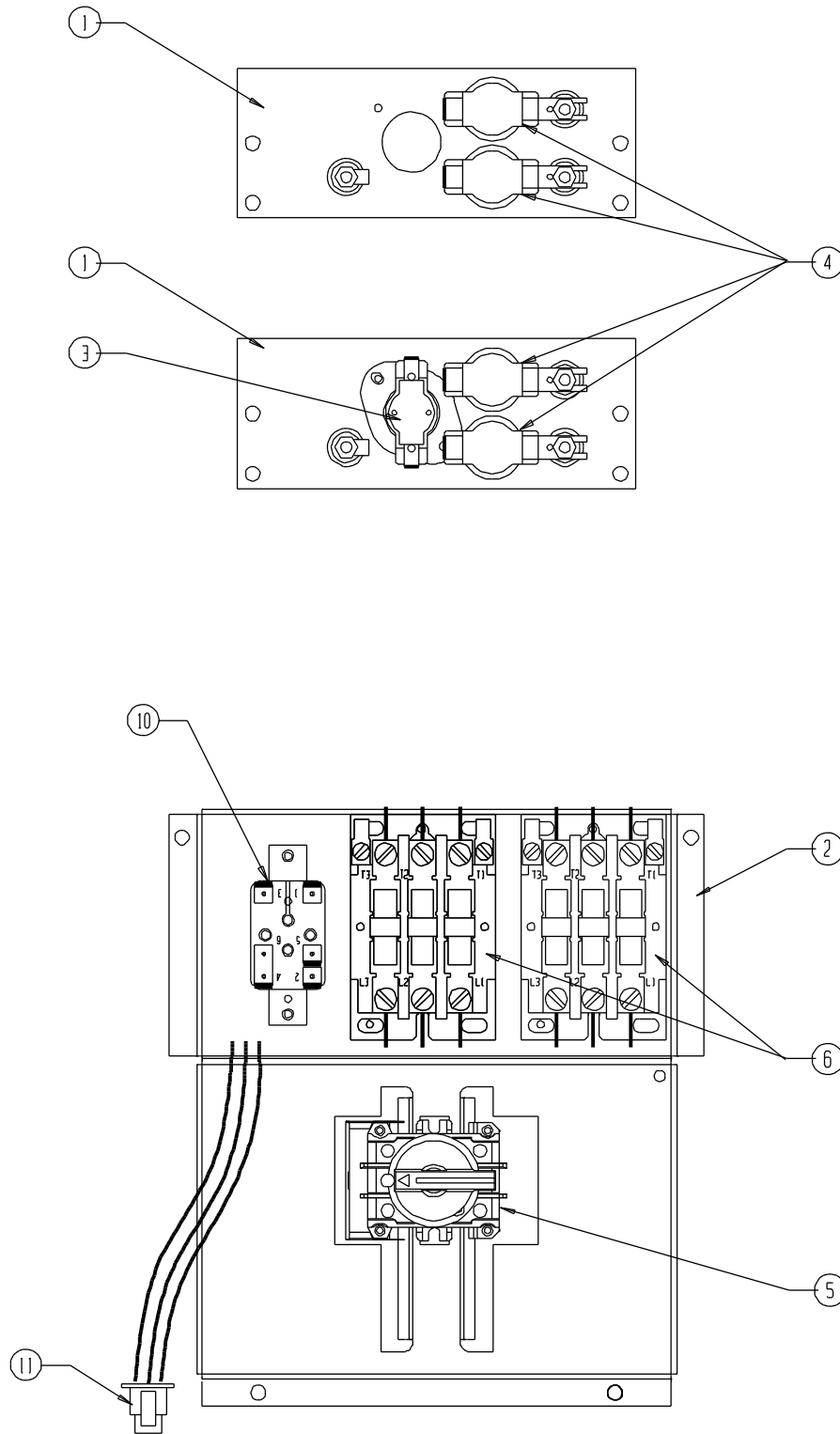
SEXP-756

# FUNCTIONAL COMPONENTS -B, 208/230 Volt (3 Phase Models)

Drawing No.	Part No.	Description	EHWA3S-B06B	EHWA5S-B06B	EHWA5S-B09B	EHWA5S-B15B	EHWA3S-B06LB	EHWA5S-B06LB	EHWA5S-B09LB	EHWA5S-B15LB
1	8604-121	Heat Strip 9 KW			X	X			X	X
1	8604-126	Heat Strip 6 KW	X	X		X	X	X		X
2	127X210	Heater Control Base (Right)	X	X	X	X				
2	127Y210	Heater Control Base (Left)					X	X	X	X
3	8402-120	Limit Control Device, Manual Reset			X	X			X	X
3	8402-159	Limit Control Device, Manual Reset	X	X			X	X		
4	8402-156	Line Break Limit with Backup	X	X	X	X	X	X	X	X
5	8615-043	Circuit Breaker 40A		X	X			X	X	
5	8615-046	Circuit Breaker 60A				X				X
5	8615-052	Circuit Breaker 30A	X				X			
6	8401-002	Heater Contactor 3-Pole	X	X	X	2	X	X	X	2
10	8201-062	Blower Interlock Relay	X	X	X	X	X	X	X	X
11	3000-1228	Low Voltage Wire Harness	X	X	X		X	X	X	
11	3000-1229	Low Voltage Wire Harness				X				X
NS	4097-240	Wiring Diagram	X	X	X		X	X	X	
NS	4097-241	Wiring Diagram				X				X

NS = Not Shown

# FUNCTIONAL COMPONENTS -C, 480 Volt (3 Phase Models)



SEXP-452

## FUNCTIONAL COMPONENTS -C, 480 Volt (3 Phase Models)

---

Drawing No.	Part No.	Description	EHWA5S-C06/C06L	EHWA5S-C09/C09L	EHWA5S-C15/C15L
1	8604-100	Heat Strip 6 KW	X		X
1	8604-101	Heat Strip 9 KW		X	X
2	127-321	Heater Control Base	X	X	X
3	8402-149	Limit Control Device, Manual Reset	X	X	
3	8402-153	Limit Control Device, Manual Reset			X
4	8402-156	Line Break Limit with Backup		X	X
4	8402-158	Line Break Limit with Backup	X		
5	8615-068	Rotary Disconnect, 3-Pole, 40 Amp	X	X	X
6	8401-002	Heater Contactor 3-Pole	X	X	2
10	8201-062	Blower Interlock Relay	X	X	X
11	3000-1228	Low Voltage Wire Harness	X	X	
11	3000-1229	Low Voltage Wire Harness			X
NS	4097-340	Wiring Diagram	X	X	
NS	4097-241	Wiring Diagram			X

NS = Not Shown