
REPLACEMENT PARTS MANUAL

WALL MOUNT HEATER PACKAGES

MODELS: EHCH3S-A05
EHCH3S-B06

EHCH4S-A04
EHCH4S-A15
EHCH4S-B09
EHCH4STA10

EHCH5S-A04
EHCH5S-A15
EHCH5S-B09
EHCH5S-C06
EHCH5S-C18
EHCH5STA20

EHCH3S-A10
EHCH3S-B09

EHCH4S-A05
EHCH4S-A20
EHCH4S-B15
EHCH4STA15

EHCH5S-A05
EHCH5S-A20
EHCH5S-B15
EHCH5S-C09
EHCH5STA10

EHCH3S-A15
EHCH3S-B15

EHCH4S-A10
EHCH4S-B06
EHCH4S-B18
EHCH4STA20

EHCH5S-A10
EHCH5S-B06
EHCH5S-B18
EHCH5S-C15
EHCH5STA15

General Notes

- Revised and/or additional pages may be issued from time to time.
- A complete and current manual consists of pages shown in the following contents section.

Contents

<i>Description</i>	<i>Page</i>
Heater Packages / Heat Pump	
♦ Exploded View	2
♦ Usage List	3
♦ Exploded View	4
♦ Usage List	5

Important

- Contact the installing and/or local Bard distributor for all parts requirements. Make sure you have the complete model and serial number available from the unit rating plates.

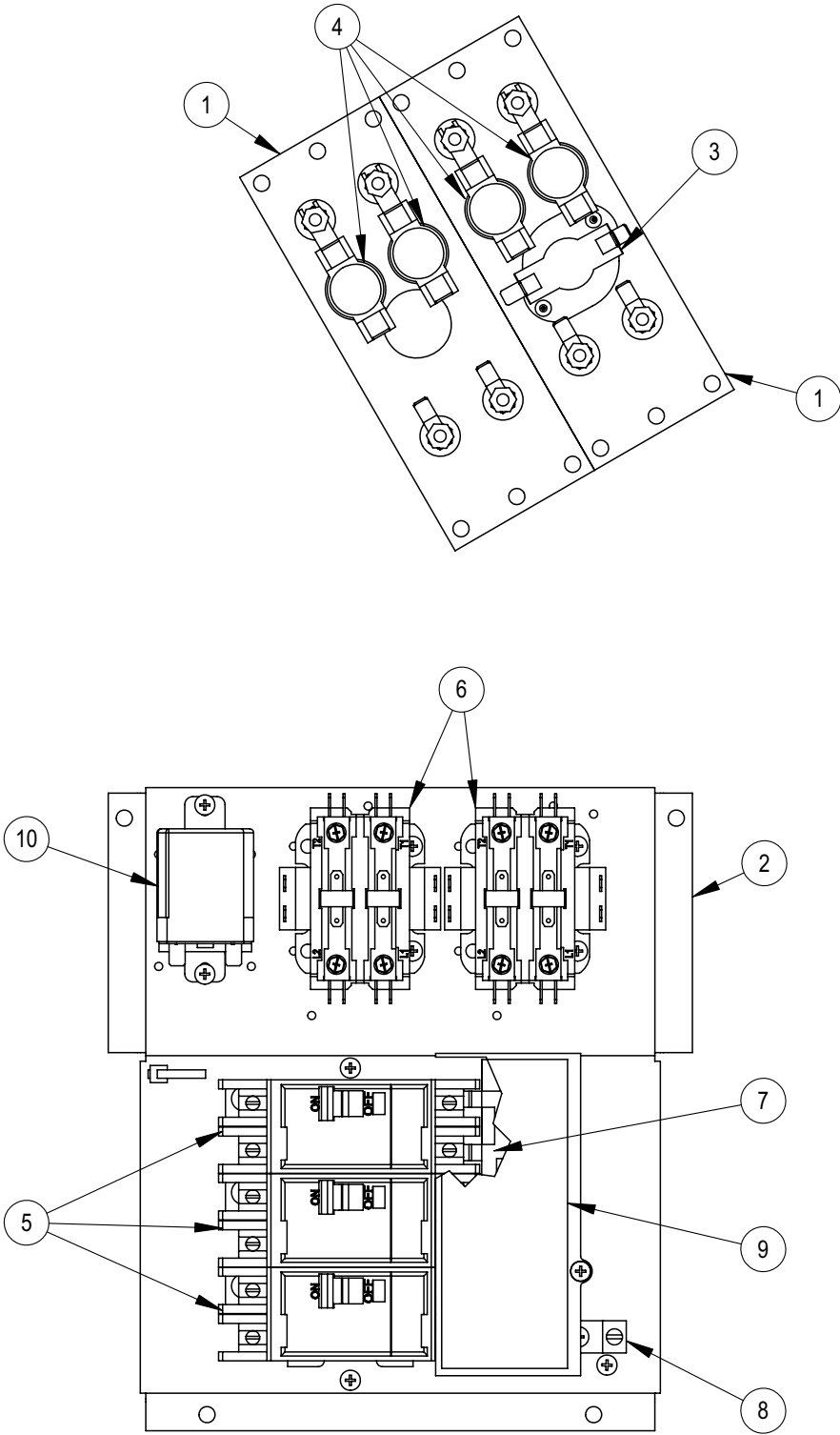


Climate Control Solutions

Bard Manufacturing Company, Inc.
Bryan, Ohio 43506
Since 1914...Moving ahead, just as planned.

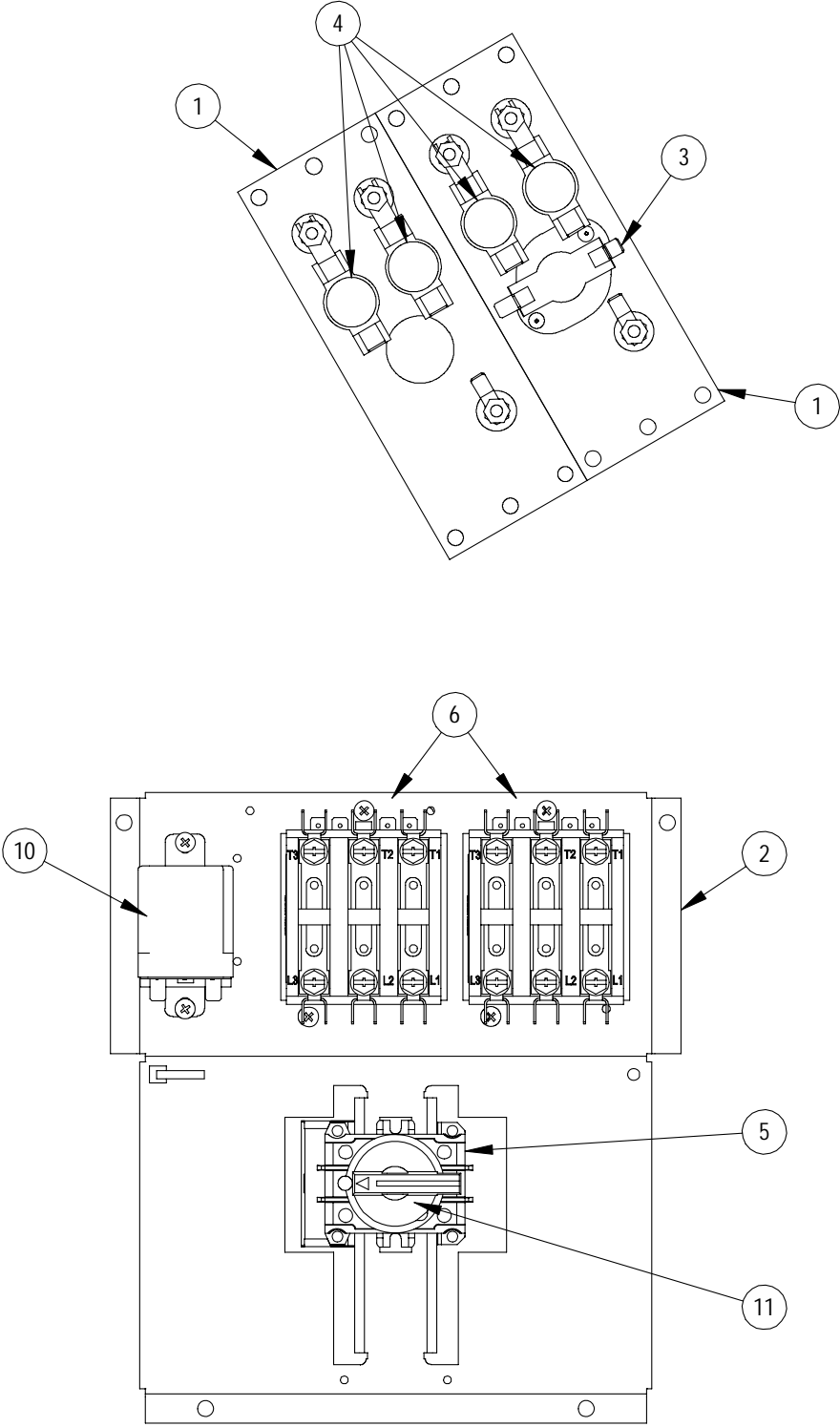
Manual: 2110-619A
Supersedes: 2110-619
File: Tab 18
Date: 10-20-11

HEATER PACKAGES – HEAT PUMP



SEXP-483

HEATER PACKAGES – HEAT PUMP



SEXP-484 A

HEATER PACKAGES – HEAT PUMP

Drawing No.	Part No.	Description	EHCH5S-C06	EHCH5S-C09	EHCH5S-C15	EHCH5S-C18
1	8604-100	Heat Strip 6 KW	X		X	
1	8604-101	Heat Strip 9 KW		X	X	2
2	127-321	Heater Control Base	X	X	X	X
3	8402-159	Limit Control Manual Reset	X			
3	8402-125	Limit Control Manual Reset		X	X	X
4	8402-158	Primary Limit	2			
4	8402-151	Primary Limit		2	4	4
5	8615-068	460V Rotary Disconnect	X	X	X	X
6	8401-002	Heat Contactor	1	1	2	2
10	8201-048	Blower Interlock Relay	X	X	X	X
11	8615-071	Disconnect Handle	X	X	X	X
NS	4112-301	Wiring Diagram	X	X		
NS	4112-302	Wiring Diagram			X	X