

REPLACEMENT PARTS MANUAL

WALL MOUNT HEATER PACKAGES

MODELS:	EHCH3S-A05 EHCH3S-B06	EHCH3S-A10 EHCH3S-B09	EHCH3S-A15 EHCH3S-B15
	EHCH4S-A04 EHCH4S-A15 EHCH4S-B09 EHCH4S-C06 EHCH4S-C18 EHCH4STA10	EHCH4S-A05 EHCH4S-A20 EHCH4S-B15 EHCH4S-C09	EHCH4S-A10 EHCH4S-B06 EHCH4S-B18 EHCH4S-C15
	EHCH5S-A04 EHCH5S-A15 EHCH5S-B09 EHCH5STA10	EHCH4STA15 EHCH5S-A05 EHCH5S-A20 EHCH5S-B15 EHCH5STA15	EHCH4STA20 EHCH5S-A10 EHCH5S-B06 EHCH5S-B18 EHCH5STA20

General Notes

- Revised and/or additional pages may be issued from time to time.
- A complete and current manual consists of pages shown in the following contents section.

Contents

<i>Description</i>	<i>Page</i>
Heater Packages / Heat Pump	
♦ Exploded View	2
♦ Usage List	3
♦ Exploded View	4
♦ Usage List	5

Important

- Contact the installing and/or local Bard distributor for all parts requirements. Make sure you have the complete model and serial number available from the unit rating plates.

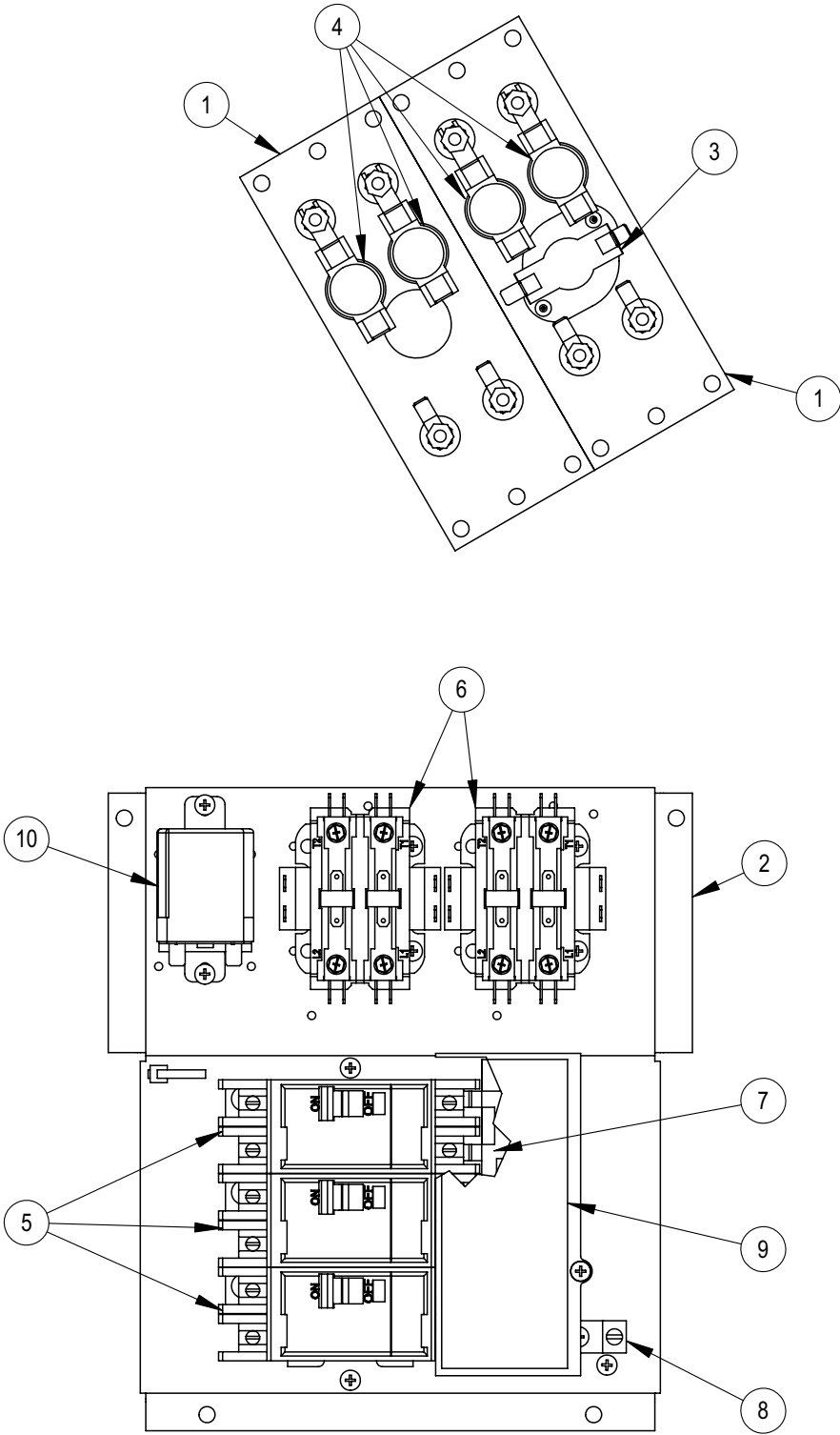


Bard Manufacturing Company, Inc.
Bryan, Ohio 43506
Since 1914...Moving ahead, just as planned.

Manual: 2110-619
Supersedes: **NEW**
File: Tab 18
Date: 11-13-06

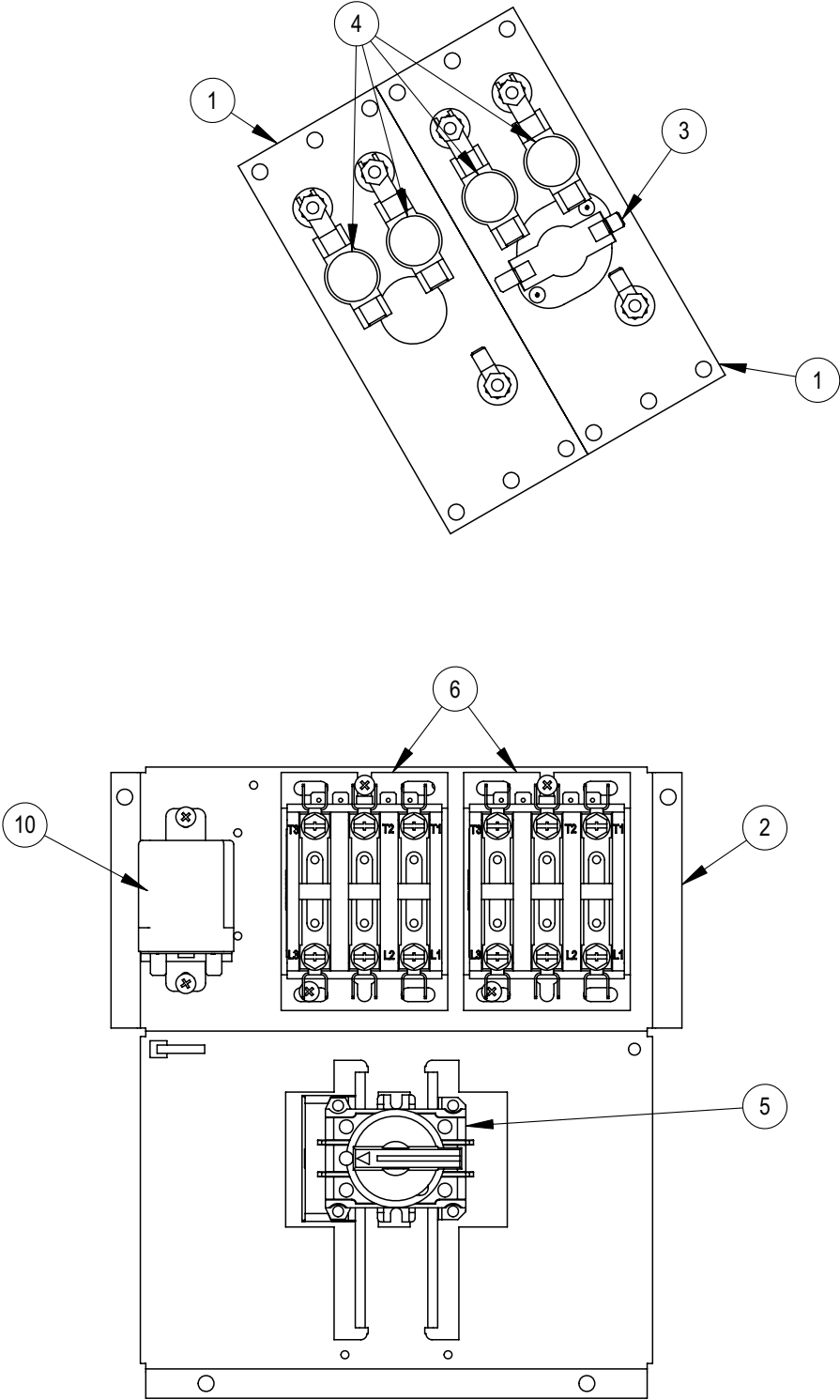
CLIMATE CONTROL SOLUTIONS

HEATER PACKAGES – HEAT PUMP



SEXP-483

HEATER PACKAGES – HEAT PUMP



SEXP-484

HEATER PACKAGES – HEAT PUMP

Drawing No.	Part No.	Description	EHCH4S-C06	EHCH4S-C09	EHCH4S-C15	EHCH4S-C18
1	8604-100	Heat Strip 6 KW	X		X	
1	8604-101	Heat Strip 9 KW		X	X	2
2	127-321	Heater Control Base	X	X	X	X
3	8402-159	Limit Control Manual Reset	X			
3	8402-125	Limit Control Manual Reset		X	X	X
4	8402-158	Primary Limit	2			
4	8402-151	Primary Limit		2	4	4
5	8615-068	460V Rotary Disconnect	X	X	X	X
6	8401-002	Heat Contactor	1	1	2	2
10	8201-048	Blower Interlock Relay	X	X	X	X
NS	4112-301	Wiring Diagram	X	X		
NS	4112-302	Wiring Diagram			X	X
NS	8615-071	Disconnect Handle	X	X	X	X