
REPLACEMENT PARTS MANUAL

Wall Mount Heater Package

Models:

| | | | |
|-------------|-------------|--------------|--------------|
| EHW3SC-A05 | EHWA60C-B15 | EHWA60C-B18 | EHWA72CD-A15 |
| EHW3SC-A10 | EHWA48C-B18 | EHWA42C-C09 | EHWA72CD-B06 |
| EHW3SC-A15 | EHWA42C-C05 | EHWA42C-C15 | EHWA42CD-B09 |
| EHW3SC-A20 | EHWA60C-C09 | EHWA42C-F07 | EHWA60CD-B15 |
| EHW3SC-B06 | EHWA60C-C15 | EHWA42C-F12 | EHWA48CD-B18 |
| EHW3SC-B09 | EHWA42C-E09 | EHWA48C-A05 | EHWA42CD-C09 |
| EHW3SC-B15 | EHWA42C-E15 | EHWA42C-A10 | EHWA60CD-A05 |
| EHW3SC-C06 | EHWA60C-F07 | EHWA60C-A15 | EHWA60CD-A10 |
| EHW3SC-C09 | EHWA60C-F12 | EHWA42C-B06 | EHWA42CD-A15 |
| EHW3SC-C15 | EHWA72C-A05 | EHWA42C-B09 | EHWA72CD-B09 |
| EHWA42C-A05 | EHWA72C-A10 | EHWA42C-B15 | EHWA42CD-B18 |
| EHWA60C-A10 | EHWA42C-A15 | EHWA42C-B18 | EHWA48CD-A05 |
| EHWA72C-A15 | EHWA42C-A20 | EHWA48C-C09 | EHWA48CD-A10 |
| EHWA60C-A20 | EHWA72C-B06 | EHWA72C-C15 | EHWA48CD-B09 |
| EHWA42C-B05 | EHWA72C-B09 | EHWA72CD-A05 | EHWA42CD-A05 |
| EHWA60C-B06 | EHWA48C-B15 | EHWA42CD-A10 | EHWA60CD-B09 |
| EHWA60C-B09 | | | |

Contents

| Description | Page |
|---------------------------------|------|
| Air Conditioner Heater Packages | |
| ♦ Layout View..... | 2 |
| ♦ Usage List..... | 3 |
| ♦ Usage List..... | 4 |
| ♦ Usage List..... | 5 |

General Notes

- Revised and/or additional pages may be issued from time to time.
- A complete and current manual consists of pages shown in the following contents section.

Important

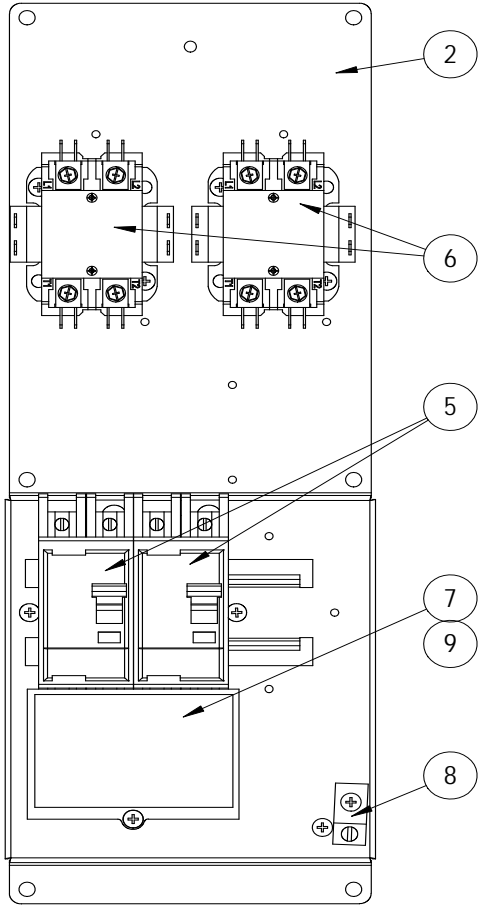
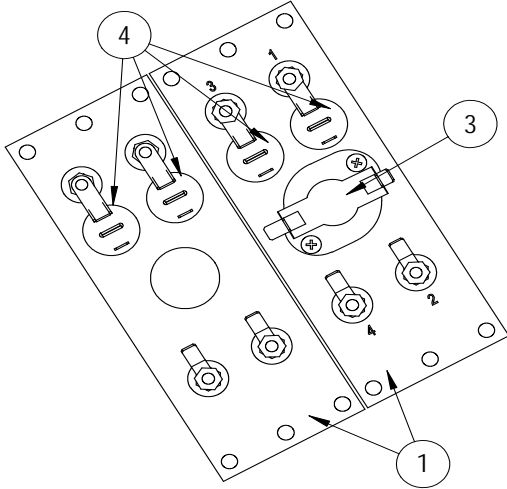
- Contact the installing and/or local Bard distributor for all parts requirements. Make sure to have the complete model and serial number available from the unit rating plates.



Bard Manufacturing Company, Inc.
Bryan, Ohio 43506
www.bardhvac.com

Manual: 2110-628D
Supersedes: 2110-628C
Date: 9-9-22

AIR CONDITIONER HEATER PACKAGES



SEXP-1008

AIR CONDITIONER HEATER PACKAGES

| Dwg. No. | Part No. | Description | EHW3SC-A05 | EHW3SC-A10 | EHW3SC-A15 | EHW3SC-A20 | EHW3SC-B06 | EHW3SC-B09 | EHW3SC-B15 | EHW3SC-C06 | EHW3SC-C09 | EHW3SC-C15 | EHWA42C-A05 | EHWA60C-A10 | EHWA72C-A15 | EHWA60C-A20 | EHWA42C-B05 | EHWA60C-B06 | EHWA60C-B09 | EHWA60C-B15 | EHWA48C-B18 | EHWA42C-C05 | EHWA60C-C09 | EHWA60C-C15 |
|----------|-----------|-------------------------------|------------|------------|------------|------------|------------|------------|------------|------------|------------|------------|-------------|-------------|-------------|-------------|-------------|-------------|-------------|-------------|-------------|-------------|-------------|-------------|
| 1 | 8604-048 | Heat Strip 9KW 240V 3 TERM L | | | | | X | X | | | | | | | | | | X | X | X | | | | |
| 1 | 8604-049 | Heat Strip 6KW 240V 3 TERM L | X | | | | | X | X | | | | | | | | | X | X | X | | | | |
| 1 | 8604-089 | Heat Strip 5KW 240V 2 TERM L | | | | | | | | | | | X | X | X | | | | | | | | | |
| 1 | 8604-091 | Heat Strip 10KW 240V 4 TERM L | | | | | | | | | | | X | X | X | | | | | | | | | |
| 1 | 8604-100 | Heat Strip 6 KW 480V 3 TERM | | | | | | | X | | X | | | | | | | | | | | | X | |
| 1 | 8604-101 | Heat Strip 9 KW 480V 3 TERM | | | | | | | | X | X | | | | | | | | | | | | X | X |
| 1 | 8604-116 | Heat Strip 10 KW 240V 2 TERM | | X | X | 2 | | | | | | | | | | | | | | | | | | |
| 1 | 8604-118 | Heat Strip 5 KW 240V 2 TERM L | | | X | | | | | | | | | | | | | | | | | | | |
| 1 | 8604-146 | Heat Strip 5 KW 240V 3 TERM L | | | | | | | | | | | | | | | X | | | | | | | |
| 1 | 8604-155 | Heat Strip 3 KW 480V 3 PH | | | | | | | | | | | | | | | | | | | X | | | |
| 2 | 127-575 | Heater Control Base | X | X | X | X | X | X | X | | | | X | X | X | X | X | X | X | X | X | X | X | X |
| 2 | 127-585 | Heater Control Base | | | | | | | X | X | X | | | | | | | | | | X | X | X | |
| 3 | 8402-028 | Limit Control | X | | | | | | | | | | | | | | | X | | | | | | |
| 3 | 8402-033 | Limit Control | | | | | X | | X | | | | | | | | | | | | | | | |
| 3 | 8402-074 | Limit Control | | | | | | | | | | | X | | | | | | X | | | | | |
| 3 | 8402-075 | Limit Control | | | | | | | | | | | | | | X | | | | X | X | | | |
| 3 | 8402-118 | Limit Control | | | | | | X | | X | | | X | | | | | | | | | | | |
| 3 | 8402-119 | Limit Control | | X | | | | | | | | | | | | | | | | | | X | X | 4 |
| 3 | 8402-128 | Limit Control | | | | | | | 2 | | | | | | | | | | | | X | 2 | 2 | 4 |
| 3 | 8402-138 | Limit Control | X | X | 4 | | | | | 2 | 4 | | | | | | | | | | | | | |
| 3 | 8402-141 | Limit Control | | | | | | X | | | X | | | X | | | | | | | | | X | |
| 3 | 8402-193 | Limit Control | | | X | X | | | | | | | | | | | | | | | | | | |
| 4 | 8402-091 | Thermal Cutoff | | | | | 2 | | | | | | | | | | | | | | 4 | | | |
| 4 | 8402-092 | Thermal Cutoff | | | | | | | | | | | | | 3 | | | | | | | | | |
| 4 | 8402-093 | Thermal Cutoff | | | | | | | | | | | X | 2 | | 4 | | | | | | | | |
| 4 | 8402-114 | Thermal Cutoff | X | | | | | 2 | 4 | | | | | | | | | | | | | | | |
| 5 | S8615-095 | Toggle Disconnect | | | | | | | X | X | X | | | | | | | | | | | X | X | X |
| 5 | 8615-037 | Circuit Breaker 30A 2-POLE | | | X | | | | | | | | | | X | | | | | | | | | |
| 5 | 8615-038 | Circuit Breaker 35A 2-POLE | X | | | | | | | | | | | | | | | | | | | | | |
| 5 | 8615-040 | Circuit Breaker 50A 2-POLE | | | | | | | | | | | X | | | | | | | | | | | |
| 5 | 8615-041 | Circuit Breaker 60A 2-POLE | | X | X | 2 | | | | | | | X | X | X | | | | | | | | | |
| 5 | 8615-042 | Circuit Breaker 35A 3-POLE | | | | | | X | | | | | | | | | X | | | | | | | |
| 5 | 8615-043 | Circuit Breaker 40A 3-POLE | | | | | | | X | | | | | | | | | X | X | | | | | |
| 5 | 8615-046 | Circuit Breaker 60A 3-POLE | | | | | | | X | | | | | | | | | | X | X | | | | |
| 5 | 8615-051 | Circuit Breaker 25A 3-POLE | | | | X | | | | | | | | | | | | | | | X | | | |
| 5 | 8615-052 | Circuit Breaker 30A 3-POLE | | | | | | | | | | | | | | | | | | | X | | | |
| 6 | S8401-002 | Heat Contactor 3-Pole | X | | | | X | X | 2 | X | X | 2 | | | | | X | X | X | X | X | X | X | 2 |
| 6 | S8401-006 | Heat Contactor 2-Pole | | X | X | 2 | | | | | | | | X | X | X | | | | | | | | |
| 6 | 8401-025 | Heat Contactor 2-Pole | | | | | | | | | | | | | | | | | | | | | | |
| 6 | 8401-033 | Heat Contactor 2-Pole | | | | | | | | | | | X | | | | | | | | | | | |
| 7 | 8615-047 | Jumper Bar | | | X | X | | | | | | | | | X | X | | | | | | | | |
| 8 | 8611-006 | Terminal | X | X | X | X | X | X | X | X | X | X | X | X | X | X | X | X | X | X | X | X | X | X |
| 9 | 8615-049 | Jumper Bar Cover | | | X | X | | | | | | | | X | X | | | | | | | | | |
| NS | 8615-061 | Cover Plate 3 PH | | | | | | | X | | | | | | | | X | | | X | | | | |
| NS | 8615-096 | Switch Cover Plate | | | | | | | | X | X | X | | | | | | | | | X | X | X | |
| NS | 4097-1008 | Wiring Diagram | | | | X | | | | | | | | | | X | | | | | | | | |
| NS | 4097-1009 | Wiring Diagram | | | X | | | | | | | | | | X | | | | | | | | | |
| NS | 4097-1010 | Wiring Diagram | | X | | | | | | | | | | X | | | | | | | | | | |
| NS | 4097-1011 | Wiring Diagram | X | | | | | | | | | | X | | | | | | | | | | | |
| NS | 4097-254 | Wiring Diagram | | | | | | | X | | | | | | | | | | | | | | | |
| NS | 4097-255 | Wiring Diagram | | | | | X | X | | | | | | | | | X | X | X | | | | | |
| NS | 4097-256 | Wiring Diagram | | | | | | | | | | | | | | | | | | | X | | | |
| NS | 4097-344 | Wiring Diagram | | | | | | | | X | X | | | | | | | | | | | X | X | |
| NS | 4097-345 | Wiring Diagram | | | | | | | | | | X | | | | | | | | | | | | X |

NS – Not Shown

AIR CONDITIONER HEATER PACKAGES

| Dwg. No. | Part No. | Description | EHWA42C-E09 | EHWA42C-E15 | EHWA60C-F07 | EHWA60C-F12 | EHWA72C-A05 | EHWA72C-A10 | EHWA42C-A15 | EHWA42C-A20 | EHWA72C-B06 | EHWA72C-B09 | EHWA48C-B15 | EHWA60C-B18 | EHWA42C-C09 | EHWA42C-C15 | EHWA42C-F07 | EHWA42C-F12 | EHWA48C-A05 | EHWA42C-A10 | EHWA60C-A15 | EHWA42C-B06 | EHWA42C-B09 | EHWA42C-B15 |
|----------|-----------|-------------------------------|-------------|-------------|-------------|-------------|-------------|-------------|-------------|-------------|-------------|-------------|-------------|-------------|-------------|-------------|-------------|-------------|-------------|-------------|-------------|-------------|-------------|-------------|
| 1 | 8604-048 | Heat Strip 9KW 240V 3 TERM L | X | X | | | | | | | X | X | X | | | | | | | | | | X | X |
| 1 | 8604-049 | Heat Strip 6KW 240V 3 TERM L | X | X | | | | | | X | | X | | | | | | | X | | | | | X |
| 1 | 8604-089 | Heat Strip 5KW 240V 2 TERM L | | | | | X | | X | | | | | | | | | | X | | | | | X |
| 1 | 8604-091 | Heat Strip 10KW 240V 4 TERM L | | | | | | X | X | X | | | | | | | | | | X | X | | | X |
| 1 | 8604-100 | Heat Strip 6 KW 480V 3 TERM | | | | X | | | | | | | | | X | X | | X | | | | | | |
| 1 | 8604-101 | Heat Strip 9 KW 480V 3 TERM | | | X | X | | | | | | | | X | X | X | | X | | | | | | |
| 2 | 127-575 | Heater Control Base | X | X | | | X | X | X | X | X | X | X | X | | | | | X | X | X | X | X | X |
| 2 | 127-585 | Heater Control Base | | | X | X | | | | | | | | | X | X | X | X | | | | | | |
| 3 | 8402-028 | Limit Control | | | | | | | | | X | | | | X | | X | | | | | X | | X |
| 3 | 8402-049 | Limit Control | | X | | | | | | | | | | | | | | | | X | | | | |
| 3 | 8402-074 | Limit Control | X | | | | X | | | | | X | | | | | | | | X | | | X | |
| 3 | 8402-075 | Limit Control | | | | | | X | X | | | | | X | | | | | | | | | | |
| 3 | 8402-118 | Limit Control | | | | X | | | | | | | | | | | | | | | | | | |
| 3 | 8402-119 | Limit Control | | | X | | | | | | | | | | | | | X | | | | | | |
| 3 | 8402-128 | Limit Control | | | X | X | | | | | | | | | X | | X | | | | | | | |
| 3 | 8402-138 | Limit Control | | | | | | | | | | | | | | X | X | | | | | | | |
| 3 | 8402-141 | Limit Control | | | | X | | | | | | | | | X | X | | X | | | X | | | |
| 3 | 8402-181 | Limit Control | | | | | | | | | | X | | | | | | | | | | | | |
| 4 | 8402-091 | Thermal Cutoff | | | | | | | | | | | | | | | | 1 | | | | | | |
| 4 | 8402-092 | Thermal Cutoff | 2 | | | | | | | | 2 | 2 | | 4 | | | | | | | | | 2 | |
| 4 | 8402-093 | Thermal Cutoff | | | | | 2 | 2 | 3 | 4 | | | | | | | | | | | 3 | | | |
| 4 | 8402-114 | Thermal Cutoff | | 4 | | | | | | | | | 4 | | | | | | | 2 | | 2 | | 4 |
| 5 | S8615-095 | Toggle Disconnect | | | X | X | | | | | | | | | X | X | X | X | | | | | | |
| 5 | 8615-037 | Circuit Breaker 30A 2-POLE | | | | | | X | X | | | | | | | | | | X | | X | | | |
| 5 | 8615-040 | Circuit Breaker 50A 2-POLE | | | | | | | | | | | | | | | | | | X | X | | | |
| 5 | 8615-041 | Circuit Breaker 60A 2-POLE | | | | X | X | X | X | | | | | | | | | | | X | X | | | |
| 5 | 8615-042 | Circuit Breaker 35A 3-POLE | | | | | | | | | | | | | | | | | | | X | X | | |
| 5 | 8615-043 | Circuit Breaker 40A 3-POLE | | | | | | | | | | | X | | | | | | | | | | | |
| 5 | 8615-045 | Circuit Breaker 50A 3-POLE | | X | | | | | | X | X | | | | | | | | | | | | | |
| 5 | 8615-046 | Circuit Breaker 60A 3-POLE | | | | | | | | | | X | | | | | | | | | | | | X |
| 5 | 8615-052 | Circuit Breaker 30A 3-POLE | X | | | | | | | | | | X | | | | | | | | | | | |
| 6 | S8401-002 | Heat Contactor 3-Pole | X | X | X | X | | | | | X | X | X | X | X | X | X | X | | | | X | X | X |
| 6 | S8401-006 | Heat Contactor 2-Pole | | | | | X | X | X | | | | | | | | | | | | X | | | |
| 6 | 8401-025 | Heat Contactor 2-Pole | | | | | | X | X | | | | | | | | | | | X | X | | | |
| 6 | 8401-033 | Heat Contactor 2-Pole | | | | | | | | | | | | | | | | X | | | | | | |
| 7 | 8615-047 | Jumper Bar | | | | | X | X | X | | | | | | | | | | | | X | | | |
| 8 | 8611-006 | Terminal | X | X | X | X | X | X | X | X | X | X | X | X | X | X | X | X | X | X | X | X | X | X |
| 8 | 8607-013 | Terminal Block 2 TERM 240V | | | X | X | | | | | | | | | | | | | | | | | | |
| 9 | 8615-049 | Jumper Bar Cover | | | | | X | X | X | | | | | | | | | | | | X | | | |
| NS | 8615-061 | Cover Plate 3 PH | | X | | | | | | | X | X | X | | | | | | | | | X | X | X |
| NS | 8615-096 | Switch Cover Plate | | | X | X | | | | | | | | X | X | X | X | | | | | | | |
| NS | 112-767 | Terminal Block Bracket | | | X | X | | | | | | | | | | | X | X | | | | | | |
| NS | 113-767 | Terminal Block Bracket | | | X | X | | | | | | | | | | | X | X | | | | | | |
| NS | 4097-1008 | Wiring Diagram | | | | | | | X | | | | | | | | | | | | | | | |
| NS | 4097-1009 | Wiring Diagram | | | | | | X | | | | | | | | | | | | | | | | |
| NS | 4097-1010 | Wiring Diagram | | | | | | | | | | | | | | | | | | | | | | |
| NS | 4097-1011 | Wiring Diagram | | | | X | | | | | | | | | | | | | X | | | | | |
| NS | 4097-1014 | Wiring Diagram | | | | | X | | | | | | | | | | | | | | | | | |
| NS | 4097-254 | Wiring Diagram | | X | | | | | | | | X | | | | | | | | | | | | X |
| NS | 4097-255 | Wiring Diagram | X | | | | | | | X | X | | | | | | | | | | | X | X | |
| NS | 4097-256 | Wiring Diagram | | | | | | | | | | | X | | | | | | | | | | | |
| NS | 4097-344 | Wiring Diagram | | | X | | | | | | | | | X | | | X | | | | | | | |
| NS | 4097-345 | Wiring Diagram | | | | X | | | | | | | | | X | | X | | | | | | | |

NS - Not Shown

AIR CONDITIONER HEATER PACKAGES

| Dwg. No. | Part No. | Description | EHWA42C-B18 | EHWA48C-C09 | EHWA72C-C15 | EHWA72CD-A05 | EHWA42CD-A10 | EHWA72CD-A15 | EHWA72CD-B06 | EHWA42CD-B09 | EHWA60CD-B15 | EHWA48CD-B18 | EHWA42CD-C09 | EHWA60CD-A05 | EHWA60CD-A10 | EHWA42CD-A15 | EHWA72CD-B09 | EHWA42CD-B18 | EHWA48CD-A05 | EHWA48CD-A10 | EHWA48CD-B09 | EHWA42CD-A05 | EHWA60CD-B09 |
|----------|-----------|-------------------------------|-------------|-------------|-------------|--------------|--------------|--------------|--------------|--------------|--------------|--------------|--------------|--------------|--------------|--------------|--------------|--------------|--------------|--------------|--------------|--------------|--------------|
| 1 | 8604-048 | Heat Strip 9KW 240V 3 TERM L | X | | | | | | X | | X | | | | | | X | X | | | | | |
| 1 | 8604-089 | Heat Strip 5KW 240V 2 TERM L | | | | X | X | | | | | | | X | X | | | | X | | | | |
| 1 | 8604-091 | Heat Strip 10KW 240V 4 TERM L | | | | | X | | | | | | | | X | X | | | | X | | | |
| 1 | 8604-100 | Heat Strip 6 KW 480V 3 TERM | | | X | | | | | | | | | | | | | | | | | | |
| 1 | 8604-101 | Heat Strip 9KW 240V 3 TERM L | | X | X | | | | | | | | X | | | | | | | | | | |
| 1 | 8604-121 | Heat Strip 9 KW 480V 3 TERM | | | | | | | | | X | | | | | | | | | | | | |
| 1 | 8604-126 | Heat Strip 6 KW 240V 3 TERM L | | | | | | X | | | X | | | | | | | | | | | | |
| 1 | 8604-129 | Heat Strip 10 KW 240V 4 TERM | | | | | X | | | | | | | | | | | | | | | | |
| 2 | 127-575 | Heater Control Base | X | | | X | X | X | X | X | X | X | X | X | X | X | X | X | X | X | X | X | X |
| 2 | 127-585 | Heater Control Base | | X | X | | | | | | | X | | | | | | | | | | | |
| 3 | 8402-028 | Limit Control | | X | | | | | | | | | | | | | | | | | | | |
| 3 | 8402-049 | Limit Control | | | | | | | | | | | | | | | | | | | | | |
| 3 | 8402-065 | Limit Control | | | | | | | | | | | | X | | | | | | | | | |
| 3 | 8402-074 | Limit Control | | | | | | | X | | | | | | | | | | X | X | | | |
| 3 | 8402-075 | Limit Control | X | | | | | | | | X | | | | | | X | | | | | | |
| 3 | 8402-082 | Limit Control | | | | | | X | | | | | | | | | | | | | | | |
| 3 | 8402-095 | Limit Control | | | | X | X | X | | | | | | | | | | | | | | | |
| 3 | 8402-118 | Limit Control | | | | X | | | | | | | | | X | | | X | | | | | |
| 3 | 8402-119 | Limit Control | | | | | X | | | | | | | | | | | | | | | X | |
| 3 | 8402-128 | Limit Control | | | X | | | | | | X | | | | | | | | | | | | |
| 3 | 8402-138 | Limit Control | | X | | | | | | | | | X | | | | | | | | | | |
| 3 | 8402-141 | Limit Control | | | | | | | | | | | | | X | | | | | | | | |
| 3 | 8402-193 | Limit Control | | | X | | X | | | | | X | | | | | X | | | | | | |
| 3 | 8402-194 | Limit Control | | | | | | | | X | | | X | | | | | | | | | | X |
| 4 | 8402-019 | Thermal Cutoff | | | | 2 | | | | | | | | 1 | | | | | | | | | |
| 4 | 8402-091 | Thermal Cutoff | | | | | 3 | | | | | | | | | | 2 | | | | | | |
| 4 | 8402-092 | Thermal Cutoff | 4 | | | | | | 2 | | | | | | | | | | | | | | |
| 4 | 8402-093 | Thermal Cutoff | | | | | | | | | | | | | 2 | 3 | | | | | | | |
| 4 | 8402-114 | Thermal Cutoff | | | | | | | | | | | | | | | 4 | | 1 | 2 | 2 | 1 | 2 |
| 5 | S8615-095 | Toggle Disconnect | | X | X | | | | | | | | X | | | | | | | | | | |
| 5 | 8615-037 | Circuit Breaker 30A 2-POLE | | | | | X | X | | | | | | | | X | | | | | | | |
| 5 | 8615-040 | Circuit Breaker 50A 2-POLE | | | | | | | | | | | | X | | | | | | | | | |
| 5 | 8615-041 | Circuit Breaker 60A 2-POLE | | | | X | X | X | | | | | | | X | X | | | X | | | | X |
| 5 | 8615-042 | Circuit Breaker 35A 3-POLE | | | | | | | X | | | | | | | | | | | | X | | |
| 5 | 8615-043 | Circuit Breaker 40A 3-POLE | | | | | | | | X | | | | | | | | | | | | | X |
| 5 | 8615-045 | Circuit Breaker 50A 3-POLE | | | | | | X | | | | | | | | | X | | | | | | |
| 5 | 8615-046 | Circuit Breaker 60A 3-POLE | X | | | | | | | X | X | | | | | | | X | | | | | |
| 6 | S8401-002 | Heat Contactor 3-Pole | X | X | X | | | X | X | X | X | X | X | | | | X | X | | | X | | X |
| 6 | S8401-006 | Heat Contactor 2-Pole | | | | X | X | X | | | | | | | | X | X | | | | | | |
| 6 | 8401-025 | Heat Contactor 2-Pole | | | | | | X | | | | | | | X | X | | | | X | | | |
| 6 | 8401-033 | Heat Contactor 2-Pole | | | | | | | | | | | X | | | | | X | | | | | X |
| 7 | 8615-047 | Jumper Bar | | | | | X | X | | | | | | | | X | | | | | | | |
| 8 | 8611-006 | Terminal | X | X | X | X | X | X | X | X | X | X | X | X | X | X | X | X | X | X | X | X | X |
| 9 | 8615-049 | Jumper Bar Cover | | | | | X | X | | | | | | | | X | | | | | | | |
| NS | 8615-061 | Cover Plate 3 PH | X | | | | | | X | X | X | | | | | | | X | | | X | | |
| NS | 8615-096 | Switch Cover Plate | | X | X | | | | | | | X | | | | | | | | | | | |
| NS | 112-767 | Terminal Block Bracket | | | | | | | | X | X | | | | | | | | | X | X | | |
| NS | 113-767 | Terminal Block Bracket | | | | | | | | X | X | | | | | | | | | X | X | | |
| NS | 4097-1009 | Wiring Diagram | | | | | X | | | | | | | | | X | | | | | | | |
| NS | 4097-1010 | Wiring Diagram | | | | | | | | | | | | | X | | | | | | | | |
| NS | 4097-1011 | Wiring Diagram | | | | X | | | | | | | | | | | | | X | | | | |
| NS | 4097-1014 | Wiring Diagram | | | | | X | | | | | | | X | | | | | | | | | |
| NS | 4097-254 | Wiring Diagram | | | | | | | | X | X | | | | | | | | | | | | |
| NS | 4097-255 | Wiring Diagram | X | | | | | | X | X | | | | | | | | X | | | | | |
| NS | 4097-344 | Wiring Diagram | | X | | | | | | | | | X | | | | | | | X | | | |
| NS | 4097-345 | Wiring Diagram | | | X | | | | | | | | | | | | | | | | | | |