

# REPLACEMENT PARTS MANUAL

## Wall Mount Heater Package

Models:

|             |             |              |              |
|-------------|-------------|--------------|--------------|
| EHW3SC-A05  | EHWA60C-B15 | EHWA60C-B18  | EHWA72CD-A15 |
| EHW3SC-A10  | EHWA48C-B18 | EHWA42C-C09  | EHWA72CD-B06 |
| EHW3SC-A15  | EHWA42C-C05 | EHWA42C-C15  | EHWA42CD-B09 |
| EHW3SC-A20  | EHWA60C-C09 | EHWA42C-F07  | EHWA60CD-B15 |
| EHW3SC-B06  | EHWA60C-C15 | EHWA42C-F12  | EHWA48CD-B18 |
| EHW3SC-B09  | EHWA42C-E09 | EHWA48C-A05  | EHWA42CD-C09 |
| EHW3SC-B15  | EHWA42C-E15 | EHWA42C-A10  | EHWA60CD-A05 |
| EHW3SC-C06  | EHWA60C-F07 | EHWA60C-A15  | EHWA60CD-A10 |
| EHW3SC-C09  | EHWA60C-F12 | EHWA42C-B06  | EHWA42CD-A15 |
| EHW3SC-C15  | EHWA72C-A05 | EHWA42C-B09  | EHWA72CD-B09 |
| EHWA42C-A05 | EHWA72C-A10 | EHWA42C-B15  | EHWA42CD-B18 |
| EHWA60C-A10 | EHWA42C-A15 | EHWA42C-B18  | EHWA48CD-A05 |
| EHWA72C-A15 | EHWA42C-A20 | EHWA48C-C09  | EHWA48CD-A10 |
| EHWA60C-A20 | EHWA72C-B06 | EHWA72C-C15  | EHWA48CD-B09 |
| EHWA42C-B05 | EHWA72C-B09 | EHWA72CD-A05 | EHWA42CD-A05 |
| EHWA60C-B06 | EHWA48C-B15 | EHWA42CD-A10 | EHWA60CD-B09 |
| EHWA60C-B09 |             |              |              |

## Contents

| Description                     | Page |
|---------------------------------|------|
| Air Conditioner Heater Packages |      |
| ♦ Layout View.....              | 2    |
| ♦ Usage List.....               | 3    |
| ♦ Usage List.....               | 4    |
| ♦ Usage List.....               | 5    |

## General Notes

- Revised and/or additional pages may be issued from time to time.
- A complete and current manual consists of pages shown in the following contents section.

## Important

- Contact the installing and/or local Bard distributor for all parts requirements. Make sure to have the complete model and serial number available from the unit rating plates.

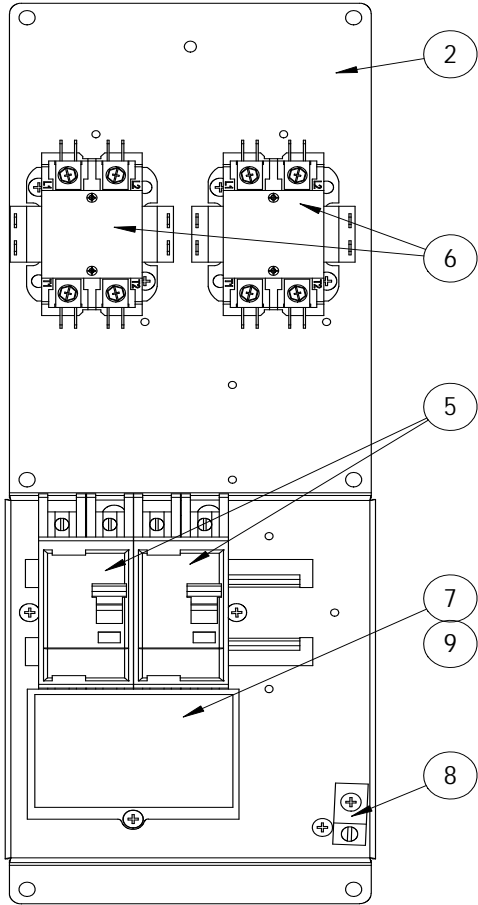
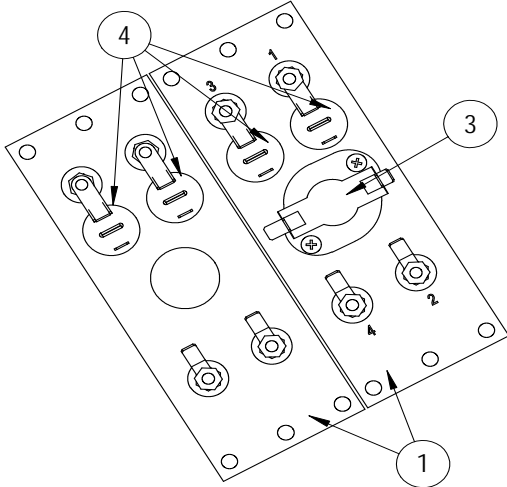


Bard Manufacturing Company, Inc.  
Bryan, Ohio 43506  
www.bardhvac.com

Manual: 2110-628E  
Supersedes: 2110-628D  
Date: 11-18-22

# AIR CONDITIONER HEATER PACKAGES

---



SEXP-1008

# AIR CONDITIONER HEATER PACKAGES

| Dwg. No. | Part No.  | Description                   | EHW3SC-A05 | EHW3SC-A10 | EHW3SC-A15 | EHW3SC-A20 | EHW3SC-B06 | EHW3SC-B09 | EHW3SC-B15 | EHW3SC-C06 | EHW3SC-C09 | EHW3SC-C15 | EHWA42C-A05 | EHWA60C-A10 | EHWA72C-A15 | EHWA60C-A20 | EHWA42C-B05 | EHWA60C-B06 | EHWA60C-B09 | EHWA60C-B15 | EHWA48C-B18 | EHWA42C-C05 | EHWA60C-C09 | EHWA60C-C15 |
|----------|-----------|-------------------------------|------------|------------|------------|------------|------------|------------|------------|------------|------------|------------|-------------|-------------|-------------|-------------|-------------|-------------|-------------|-------------|-------------|-------------|-------------|-------------|
| 1        | 8604-048  | Heat Strip 9KW 240V 3 TERM L  |            |            |            |            | X          | X          | X          |            |            |            |             |             |             |             |             | X           | X           | X           |             |             |             |             |
| 1        | 8604-049  | Heat Strip 6KW 240V 3 TERM L  | X          |            |            |            |            | X          |            |            |            |            |             |             |             |             |             | X           | X           | X           |             |             |             |             |
| 1        | 8604-089  | Heat Strip 5KW 240V 2 TERM L  |            |            |            |            |            |            |            |            |            |            | X           |             | X           |             |             |             |             |             |             |             |             |             |
| 1        | 8604-091  | Heat Strip 10KW 240V 4 TERM L |            |            |            |            |            |            |            |            |            |            | X           | X           | X           |             |             |             |             |             |             |             |             |             |
| 1        | 8604-100  | Heat Strip 6 KW 480V 3 TERM   |            |            |            |            |            |            | X          |            | X          |            |             |             |             |             |             |             |             |             |             |             | X           |             |
| 1        | 8604-101  | Heat Strip 9 KW 480V 3 TERM   |            |            |            |            |            |            |            | X          | X          |            |             |             |             |             |             |             |             |             |             |             | X           | X           |
| 1        | 8604-116  | Heat Strip 10 KW 240V 2 TERM  |            | X          |            | 2          |            |            |            |            |            |            |             |             |             |             |             |             |             |             |             |             |             |             |
| 1        | 8604-118  | Heat Strip 5 KW 240V 2 TERM L |            |            | X          |            |            |            |            |            |            |            |             |             |             |             |             |             |             |             |             |             |             |             |
| 1        | 8604-146  | Heat Strip 5 KW 240V 3 TERM L |            |            |            |            |            |            |            |            |            |            |             |             |             |             | X           |             |             |             |             |             |             |             |
| 1        | 8604-155  | Heat Strip 3 KW 480V 3 PH     |            |            |            |            |            |            |            |            |            |            |             |             |             |             |             |             |             |             |             | X           |             |             |
| 2        | 127-575   | Heater Control Base           | X          | X          | X          | X          | X          | X          | X          |            |            |            | X           | X           | X           | X           | X           | X           | X           | X           | X           |             |             |             |
| 2        | 127-585   | Heater Control Base           |            |            |            |            |            |            |            | X          | X          | X          |             |             |             |             |             |             |             |             |             | X           | X           | X           |
| 3        | 8402-028  | Limit Control                 |            |            |            |            |            |            |            |            |            |            |             |             |             |             |             | X           |             |             |             |             |             |             |
| 3        | 8402-033  | Limit Control                 | X          |            |            |            | X          |            |            | X          |            |            |             |             |             |             |             |             |             |             |             |             |             |             |
| 3        | 8402-074  | Limit Control                 |            |            |            |            |            |            |            |            |            |            | X           |             |             |             |             |             | X           |             |             |             |             |             |
| 3        | 8402-075  | Limit Control                 |            |            |            |            |            |            |            |            |            |            |             |             |             | X           |             |             |             | X           | X           |             |             |             |
| 3        | 8402-118  | Limit Control                 |            |            |            |            | X          |            |            | X          |            |            | X           |             |             |             |             |             |             | X           | X           |             |             |             |
| 3        | 8402-119  | Limit Control                 |            | X          |            |            |            |            |            |            |            |            |             |             |             |             |             |             |             |             | X           | X           |             |             |
| 3        | 8402-141  | Limit Control                 |            |            | X          | X          |            | X          |            |            | X          |            |             | X           |             |             |             |             |             |             |             | X           | X           | X           |
| 3        | 8402-193  | Limit Control                 |            |            |            |            |            |            |            |            |            |            |             |             |             |             |             |             |             |             |             |             |             | X           |
| 4        | 8402-091  | Backup Protection Device      |            |            |            |            |            |            |            |            |            |            |             |             |             |             |             |             |             |             |             |             |             |             |
| 4        | 8402-092  | Backup Protection Device      |            |            |            |            | 2          |            |            |            |            |            |             |             |             |             |             |             |             |             |             |             |             |             |
| 4        | 8402-093  | Backup Protection Device      |            |            |            |            |            |            |            |            |            |            | 1           | 2           | 3           | 4           | 2           | 2           | 4           |             |             |             |             |             |
| 4        | 8402-114  | Backup Protection Device      | 1          |            |            |            |            | 2          | 4          |            |            |            |             |             |             |             |             |             |             |             |             |             |             |             |
| 4        | 8402-128  | Backup Protection Device      |            |            |            |            |            |            |            | 2          |            |            |             |             |             |             |             |             |             |             |             | 2           | 2           | 4           |
| 4        | 8402-138  | Backup Protection Device      |            | 2          | 3          | 4          |            |            |            |            | 2          | 4          |             |             |             |             |             |             |             |             |             |             |             |             |
| 5        | S8615-095 | Toggle Disconnect             |            |            |            |            |            |            |            | X          | X          | X          |             |             |             |             |             |             |             |             |             | X           | X           | X           |
| 5        | 8615-037  | Circuit Breaker 30A 2-POLE    |            |            | X          |            |            |            |            |            |            |            |             |             | X           |             |             |             |             |             |             |             |             |             |
| 5        | 8615-038  | Circuit Breaker 35A 2-POLE    | X          |            |            |            |            |            |            |            |            |            |             |             |             |             |             |             |             |             |             |             |             |             |
| 5        | 8615-040  | Circuit Breaker 50A 2-POLE    |            |            |            |            |            |            |            |            |            |            | X           |             |             |             |             |             |             |             |             |             |             |             |
| 5        | 8615-041  | Circuit Breaker 60A 2-POLE    |            | X          | X          | 2          |            |            |            |            |            |            |             | X           | X           | X           |             |             |             |             |             |             |             |             |
| 5        | 8615-042  | Circuit Breaker 35A 3-POLE    |            |            |            |            |            | X          |            |            |            |            |             |             |             |             | X           |             |             |             |             |             |             |             |
| 5        | 8615-043  | Circuit Breaker 40A 3-POLE    |            |            |            |            |            |            |            |            |            |            |             |             |             |             |             | X           | X           |             |             |             |             |             |
| 5        | 8615-046  | Circuit Breaker 60A 3-POLE    |            |            |            |            |            |            | X          |            |            |            |             |             |             |             |             |             |             | X           |             |             |             |             |
| 5        | 8615-051  | Circuit Breaker 25A 3-POLE    |            |            |            | X          |            |            |            |            |            |            |             |             |             |             |             |             |             |             | X           |             |             |             |
| 5        | 8615-052  | Circuit Breaker 30A 3-POLE    |            |            |            |            |            |            |            |            |            |            |             |             |             |             |             |             |             |             | X           |             |             |             |
| 6        | S8401-002 | Heat Contactor 3-Pole         |            |            |            |            | X          | X          | 2          | X          | X          | 2          |             |             |             |             | X           | X           | X           | X           | X           | X           | X           | 2           |
| 6        | S8401-006 | Heat Contactor 2-Pole         | X          |            | X          |            |            |            |            |            |            |            |             |             |             |             |             |             |             |             |             |             |             |             |
| 6        | 8401-025  | Heat Contactor 2-Pole         |            | X          | X          | 2          |            |            |            |            |            |            |             | X           | X           | X           |             |             |             |             |             |             |             |             |
| 6        | 8401-033  | Heat Contactor 2-Pole         |            |            |            |            |            |            |            |            |            |            | X           |             |             |             |             |             |             |             |             |             |             |             |
| 7        | 8615-047  | Jumper Bar                    |            |            | X          | X          |            |            |            |            |            |            |             |             | X           | X           |             |             |             |             |             |             |             |             |
| 8        | 8611-006  | Terminal                      | X          | X          | X          | X          | X          | X          | X          | X          | X          | X          | X           | X           | X           | X           | X           | X           | X           | X           | X           | X           | X           | X           |
| 9        | 8615-049  | Jumper Bar Cover              |            |            | X          | X          |            |            |            |            |            |            |             |             | X           | X           |             |             |             |             |             |             |             |             |
| NS       | 8615-061  | Cover Plate 3 PH              |            |            |            |            |            | X          |            |            |            |            |             |             |             |             | X           |             |             | X           |             |             |             |             |
| NS       | 8615-096  | Switch Cover Plate            |            |            |            |            |            |            | X          | X          | X          |            |             |             |             |             |             |             |             |             |             | X           | X           | X           |
| NS       | 4097-1008 | Wiring Diagram                |            |            |            | X          |            |            |            |            |            |            |             |             |             | X           |             |             |             |             |             |             |             |             |
| NS       | 4097-1009 | Wiring Diagram                |            |            | X          |            |            |            |            |            |            |            |             |             | X           |             |             |             |             |             |             |             |             |             |
| NS       | 4097-1010 | Wiring Diagram                |            | X          |            |            |            |            |            |            |            |            |             | X           |             |             |             |             |             |             |             |             |             |             |
| NS       | 4097-1011 | Wiring Diagram                | X          |            |            |            |            |            |            |            |            |            | X           |             |             |             |             |             |             |             |             |             |             |             |
| NS       | 4097-254  | Wiring Diagram                |            |            |            |            |            | X          |            |            |            |            |             |             |             |             |             |             |             | X           |             |             |             |             |
| NS       | 4097-255  | Wiring Diagram                |            |            |            | X          | X          |            |            |            |            |            |             |             |             | X           | X           | X           |             |             |             |             |             |             |
| NS       | 4097-256  | Wiring Diagram                |            |            |            |            |            |            |            | X          | X          |            |             |             |             |             |             |             |             |             | X           |             |             |             |
| NS       | 4097-344  | Wiring Diagram                |            |            |            |            |            |            |            | X          | X          |            |             |             |             |             |             |             |             |             |             | X           | X           |             |
| NS       | 4097-345  | Wiring Diagram                |            |            |            |            |            |            |            |            |            | X          |             |             |             |             |             |             |             |             |             |             |             | X           |

NS – Not Shown

# AIR CONDITIONER HEATER PACKAGES

| Dwg. No. | Part No.  | Description                   | EHWA42C-E09 | EHWA42C-E15 | EHWA60C-F07 | EHWA60C-F12 | EHWA72C-A05 | EHWA72C-A10 | EHWA42C-A15 | EHWA42C-A20 | EHWA72C-B06 | EHWA72C-B09 | EHWA48C-B15 | EHWA60C-B18 | EHWA42C-C09 | EHWA42C-C15 | EHWA42C-F07 | EHWA42C-F12 | EHWA48C-A05 | EHWA42C-A10 | EHWA60C-A15 | EHWA42C-B06 | EHWA42C-B09 | EHWA42C-B15 |
|----------|-----------|-------------------------------|-------------|-------------|-------------|-------------|-------------|-------------|-------------|-------------|-------------|-------------|-------------|-------------|-------------|-------------|-------------|-------------|-------------|-------------|-------------|-------------|-------------|-------------|
| 1        | 8604-048  | Heat Strip 9KW 240V 3 TERM L  | X           | X           |             |             |             |             |             |             | X           | X           | X           |             |             |             |             |             |             |             |             |             | X           | X           |
| 1        | 8604-049  | Heat Strip 6KW 240V 3 TERM L  | X           | X           |             |             |             |             |             | X           |             | X           |             |             |             |             |             |             | X           |             |             |             |             | X           |
| 1        | 8604-089  | Heat Strip 5KW 240V 2 TERM L  |             |             |             |             | X           |             | X           |             |             |             |             |             |             |             |             |             | X           |             |             |             |             | X           |
| 1        | 8604-091  | Heat Strip 10KW 240V 4 TERM L |             |             |             |             | X           | X           | X           |             |             |             |             |             |             |             |             |             | X           | X           |             |             |             | X           |
| 1        | 8604-100  | Heat Strip 6 KW 480V 3 TERM   |             |             |             | X           |             |             |             |             |             |             |             |             | X           | X           |             | X           |             |             |             |             |             |             |
| 1        | 8604-101  | Heat Strip 9 KW 480V 3 TERM   |             |             | X           | X           |             |             |             |             |             |             |             |             | X           | X           | X           | X           |             |             |             |             |             |             |
| 2        | 127-575   | Heater Control Base           | X           | X           |             |             | X           | X           | X           | X           | X           | X           | X           | X           |             |             |             |             | X           | X           | X           | X           | X           | X           |
| 2        | 127-585   | Heater Control Base           |             |             | X           | X           |             |             |             |             |             |             |             |             | X           | X           | X           | X           |             |             |             |             |             |             |
| 3        | 8402-028  | Limit Control                 |             |             |             |             |             |             |             |             | X           |             |             |             | X           |             | X           |             |             |             |             | X           |             | X           |
| 3        | 8402-049  | Limit Control                 |             | X           |             |             |             |             |             |             |             |             |             |             |             |             |             |             |             | X           |             |             |             | X           |
| 3        | 8402-074  | Limit Control                 | X           |             |             |             | X           |             |             |             |             | X           |             |             |             |             |             |             |             | X           |             |             | X           |             |
| 3        | 8402-075  | Limit Control                 |             |             |             |             | X           | X           | X           |             |             |             | X           |             |             |             |             |             |             |             |             |             |             |             |
| 3        | 8402-118  | Limit Control                 |             |             |             | X           |             |             |             |             |             |             |             |             |             |             |             |             | X           |             |             |             |             |             |
| 3        | 8402-119  | Limit Control                 |             |             | X           |             |             |             |             |             |             |             |             |             |             |             |             | X           |             |             |             |             |             |             |
| 3        | 8402-141  | Limit Control                 |             |             |             | X           |             |             |             |             |             |             | X           |             | X           |             | X           |             |             | X           |             |             |             |             |
| 3        | 8402-181  | Limit Control                 |             |             |             |             |             |             |             |             |             | X           |             |             |             |             |             |             |             |             |             |             |             |             |
| 4        | 8402-091  | Backup Protection Device      |             |             |             |             |             |             |             |             |             |             |             |             |             |             |             | 1           |             |             |             |             |             |             |
| 4        | 8402-092  | Backup Protection Device      | 2           |             |             |             |             |             |             |             | 2           | 2           |             | 4           |             |             |             |             |             |             |             |             | 2           |             |
| 4        | 8402-093  | Backup Protection Device      |             | 4           |             |             | 2           | 2           | 3           | 4           |             |             |             |             |             |             |             |             |             | 3           |             |             |             |             |
| 4        | 8402-114  | Backup Protection Device      |             |             |             |             |             |             |             |             |             |             | 4           |             |             |             |             |             |             | 2           |             | 2           | 4           |             |
| 4        | 8402-128  | Backup Protection Device      |             |             | 2           | 4           |             |             |             |             |             |             |             |             | 2           |             | 2           |             |             |             |             |             |             |             |
| 4        | 8402-138  | Backup Protection Device      |             |             |             |             |             |             |             |             |             |             |             |             | 4           |             | 4           |             |             |             |             |             |             |             |
| 5        | S8615-095 | Toggle Disconnect             |             |             | X           | X           |             |             |             |             |             |             |             |             | X           | X           | X           | X           |             |             |             |             |             |             |
| 5        | 8615-037  | Circuit Breaker 30A 2-POLE    |             |             |             |             | X           | X           |             |             |             |             |             |             |             |             |             |             | X           |             | X           |             |             |             |
| 5        | 8615-040  | Circuit Breaker 50A 2-POLE    |             |             |             |             | X           | X           | X           | X           |             |             |             |             |             |             |             |             |             | X           | X           |             |             |             |
| 5        | 8615-041  | Circuit Breaker 60A 2-POLE    |             |             |             | X           | X           | X           | X           |             |             |             |             |             |             |             |             |             |             | X           | X           |             |             |             |
| 5        | 8615-042  | Circuit Breaker 35A 3-POLE    |             |             |             |             |             |             |             |             |             |             |             | X           |             |             |             |             |             |             | X           | X           |             |             |
| 5        | 8615-043  | Circuit Breaker 40A 3-POLE    |             |             |             |             |             |             |             |             |             |             | X           |             |             |             |             |             |             |             |             |             |             |             |
| 5        | 8615-045  | Circuit Breaker 50A 3-POLE    |             | X           |             |             |             |             |             | X           | X           |             |             |             |             |             |             |             |             |             |             |             |             |             |
| 5        | 8615-046  | Circuit Breaker 60A 3-POLE    |             |             |             |             |             |             |             |             |             | X           |             |             |             |             |             |             |             |             |             |             |             | X           |
| 5        | 8615-052  | Circuit Breaker 30A 3-POLE    | X           |             |             |             |             |             |             |             |             |             | X           |             |             |             |             |             |             |             |             |             |             |             |
| 6        | S8401-002 | Heat Contactor 3-Pole         | X           | X           | X           | X           |             |             |             |             | X           | X           | X           | X           | X           | X           | X           | X           |             |             |             | X           | X           | X           |
| 6        | S8401-006 | Heat Contactor 2-Pole         |             |             |             | X           | X           | X           |             |             |             |             |             |             |             |             |             |             |             | X           | X           |             |             |             |
| 6        | 8401-025  | Heat Contactor 2-Pole         |             |             |             |             | X           | X           |             |             |             |             |             |             |             |             |             |             | X           | X           |             |             |             |             |
| 6        | 8401-033  | Heat Contactor 2-Pole         |             |             |             |             |             |             |             |             |             |             |             |             |             |             |             | X           |             |             |             |             |             |             |
| 7        | 8615-047  | Jumper Bar                    |             |             |             |             | X           | X           | X           |             |             |             |             |             |             |             |             |             |             |             | X           |             |             |             |
| 8        | 8611-006  | Terminal                      | X           | X           | X           | X           | X           | X           | X           | X           | X           | X           | X           | X           | X           | X           | X           | X           | X           | X           | X           | X           | X           | X           |
| 8        | 8607-013  | Terminal Block 2 TERM 240V    |             |             | X           | X           |             |             |             |             |             |             |             |             |             |             |             |             |             |             |             |             |             |             |
| 9        | 8615-049  | Jumper Bar Cover              |             |             |             |             | X           | X           | X           |             |             |             |             |             |             |             |             |             |             |             | X           |             |             |             |
| NS       | 8615-061  | Cover Plate 3 PH              |             | X           |             |             |             |             |             |             | X           | X           | X           |             |             |             |             |             |             |             |             | X           | X           | X           |
| NS       | 8615-096  | Switch Cover Plate            |             |             | X           | X           |             |             |             |             |             |             |             |             | X           | X           | X           | X           |             |             |             |             |             |             |
| NS       | 112-767   | Terminal Block Bracket        |             |             | X           | X           |             |             |             |             |             |             |             |             |             |             | X           | X           |             |             |             |             |             |             |
| NS       | 113-767   | Terminal Block Bracket        |             |             | X           | X           |             |             |             |             |             |             |             |             |             |             | X           | X           |             |             |             |             |             |             |
| NS       | 4097-1008 | Wiring Diagram                |             |             |             |             |             |             | X           |             |             |             |             |             |             |             |             |             |             |             |             |             |             |             |
| NS       | 4097-1009 | Wiring Diagram                |             |             |             |             |             | X           |             |             |             |             |             |             |             |             |             |             |             |             |             |             |             |             |
| NS       | 4097-1010 | Wiring Diagram                |             |             |             |             |             |             |             |             |             |             |             |             |             |             |             |             |             | X           |             |             |             |             |
| NS       | 4097-1011 | Wiring Diagram                |             |             |             | X           |             |             |             |             |             |             |             |             |             |             |             | X           |             |             |             |             |             |             |
| NS       | 4097-1014 | Wiring Diagram                |             |             |             |             | X           |             |             |             |             |             |             |             |             |             |             |             |             |             |             |             |             |             |
| NS       | 4097-254  | Wiring Diagram                |             | X           |             |             |             |             |             |             |             |             | X           |             |             |             |             |             |             |             |             |             |             | X           |
| NS       | 4097-255  | Wiring Diagram                | X           |             |             |             |             |             |             | X           | X           |             |             |             |             |             |             |             |             |             |             | X           | X           |             |
| NS       | 4097-256  | Wiring Diagram                |             |             |             |             |             |             |             |             |             |             | X           |             |             |             |             |             |             |             |             |             |             |             |
| NS       | 4097-344  | Wiring Diagram                |             |             | X           |             |             |             |             |             |             |             |             | X           |             |             | X           |             |             |             |             |             |             |             |
| NS       | 4097-345  | Wiring Diagram                |             |             |             | X           |             |             |             |             |             |             |             |             | X           |             | X           | X           |             |             |             |             |             |             |

NS - Not Shown

# AIR CONDITIONER HEATER PACKAGES

| Dwg. No. | Part No.  | Description                   | EHWA42C-B18 | EHWA48C-C09 | EHWA72C-C15 | EHWA72CD-A05 | EHWA42CD-A10 | EHWA72CD-A15 | EHWA72CD-B06 | EHWA42CD-B09 | EHWA60CD-B15 | EHWA48CD-B18 | EHWA42CD-C09 | EHWA60CD-A05 | EHWA60CD-A10 | EHWA42CD-A15 | EHWA72CD-B09 | EHWA42CD-B18 | EHWA48CD-A05 | EHWA48CD-A10 | EHWA48CD-B09 | EHWA42CD-A05 | EHWA60CD-B09 |
|----------|-----------|-------------------------------|-------------|-------------|-------------|--------------|--------------|--------------|--------------|--------------|--------------|--------------|--------------|--------------|--------------|--------------|--------------|--------------|--------------|--------------|--------------|--------------|--------------|
| 1        | 8604-048  | Heat Strip 9KW 240V 3 TERM L  | X           |             |             |              |              |              | X            |              |              |              |              |              |              |              | X            | X            |              |              |              |              |              |
| 1        | 8604-089  | Heat Strip 5KW 240V 2 TERM L  |             |             |             | X            |              | X            |              |              |              |              |              | X            |              | X            |              |              | X            |              |              |              |              |
| 1        | 8604-091  | Heat Strip 10KW 240V 4 TERM L |             |             |             |              | X            |              |              |              |              |              |              |              | X            | X            |              |              |              |              |              |              |              |
| 1        | 8604-100  | Heat Strip 6 KW 480V 3 TERM   |             |             | X           |              |              |              |              |              |              |              |              |              |              |              |              |              |              |              |              |              |              |
| 1        | 8604-101  | Heat Strip 9KW 240V 3 TERM L  |             | X           | X           |              |              |              |              |              |              |              | X            |              |              |              |              |              |              |              |              |              |              |
| 1        | 8604-121  | Heat Strip 9 KW 480V 3 TERM   |             |             |             |              |              |              |              |              | X            |              |              |              |              |              |              |              |              |              |              |              |              |
| 1        | 8604-126  | Heat Strip 6 KW 240V 3 TERM L |             |             |             |              |              |              | X            |              | X            |              |              |              |              |              |              |              |              |              |              |              |              |
| 1        | 8604-129  | Heat Strip 10 KW 240V 4 TERM  |             |             |             |              | X            |              |              |              |              |              |              |              |              |              |              |              |              |              |              |              |              |
| 2        | 127-575   | Heater Control Base           | X           |             |             | X            | X            | X            | X            | X            | X            | X            |              | X            | X            | X            | X            | X            | X            | X            | X            | X            | X            |
| 2        | 127-585   | Heater Control Base           |             | X           | X           |              |              |              |              |              |              |              | X            |              |              |              |              |              |              |              |              |              |              |
| 3        | 8402-028  | Limit Control                 |             | X           |             |              |              |              |              |              |              |              |              |              |              |              |              |              |              |              |              |              |              |
| 3        | 8402-049  | Limit Control                 |             |             |             |              |              |              |              |              |              |              |              |              |              |              |              |              |              |              |              |              |              |
| 3        | 8402-065  | Limit Control                 |             |             |             |              |              |              |              |              |              |              |              | X            |              |              |              |              |              |              |              |              |              |
| 3        | 8402-074  | Limit Control                 |             |             |             |              |              |              |              | X            |              |              |              |              |              |              |              |              |              | X            | X            |              |              |
| 3        | 8402-075  | Limit Control                 | X           |             |             |              |              |              |              |              |              | X            |              |              |              |              | X            |              |              |              |              |              |              |
| 3        | 8402-082  | Limit Control                 |             |             |             |              |              | X            |              |              |              |              |              |              |              |              |              |              |              |              |              |              |              |
| 3        | 8402-118  | Limit Control                 |             |             |             | X            |              |              |              |              |              |              |              |              |              |              |              | X            |              |              |              |              |              |
| 3        | 8402-119  | Limit Control                 |             |             |             |              | X            |              |              |              |              |              |              |              | X            |              |              |              |              |              |              |              |              |
| 3        | 8402-141  | Limit Control                 |             |             |             |              |              |              |              |              |              |              |              |              |              | X            |              |              |              |              |              | X            |              |
| 3        | 8402-193  | Limit Control                 |             |             | X           |              |              | X            |              |              |              |              | X            |              |              |              | X            |              |              |              |              |              | X            |
| 3        | 8402-194  | Limit Control                 |             |             |             |              |              |              |              |              | X            |              |              |              |              |              |              |              |              |              |              |              |              |
| 4        | 8402-019  | Backup Protection Device      |             |             |             | 2            |              |              |              |              |              |              |              | 1            |              |              |              |              |              |              |              |              |              |
| 4        | 8402-091  | Backup Protection Device      |             |             |             |              | 3            |              |              |              |              |              |              |              |              |              | 2            |              |              |              |              |              |              |
| 4        | 8402-092  | Backup Protection Device      | 4           |             |             |              |              |              | 2            |              |              |              |              |              |              |              |              |              | 1            | 2            | 2            | 1            |              |
| 4        | 8402-093  | Backup Protection Device      |             |             |             |              | 2            |              | 2            |              |              |              |              |              |              |              |              |              |              |              |              |              |              |
| 4        | 8402-095  | Backup Protection Device      |             |             |             |              |              |              |              |              |              |              |              |              |              |              |              |              |              |              |              |              |              |
| 4        | 8402-114  | Backup Protection Device      |             |             |             |              |              |              |              |              |              |              |              | 2            | 3            |              | 4            |              |              |              |              |              | 2            |
| 4        | 8402-128  | Backup Protection Device      |             |             | 4           |              |              |              |              |              | 4            |              |              |              |              |              |              |              |              |              |              |              |              |
| 4        | 8402-138  | Backup Protection Device      |             | 2           |             |              |              |              |              |              |              |              | 2            |              |              |              |              |              |              |              |              |              |              |
| 5        | S8615-095 | Toggle Disconnect             |             | X           | X           |              |              |              |              |              |              |              | X            |              |              |              |              |              |              |              |              |              |              |
| 5        | 8615-037  | Circuit Breaker 30A 2-POLE    |             |             |             |              | X            | X            |              |              |              |              |              |              |              | X            |              |              |              |              |              |              |              |
| 5        | 8615-040  | Circuit Breaker 50A 2-POLE    |             |             |             |              |              |              |              |              |              |              |              | X            |              |              |              |              | X            |              |              | X            |              |
| 5        | 8615-041  | Circuit Breaker 60A 2-POLE    |             |             |             | X            | X            | X            |              |              |              |              |              |              | X            | X            |              |              |              |              |              |              |              |
| 5        | 8615-042  | Circuit Breaker 35A 3-POLE    |             |             |             |              |              |              | X            |              |              |              |              |              |              |              |              |              |              | X            |              |              |              |
| 5        | 8615-043  | Circuit Breaker 40A 3-POLE    |             |             |             |              |              |              |              | X            |              |              |              |              |              |              |              |              |              |              |              |              | X            |
| 5        | 8615-045  | Circuit Breaker 50A 3-POLE    |             |             |             |              |              |              | X            |              |              |              |              |              |              |              | X            |              |              |              |              |              |              |
| 5        | 8615-046  | Circuit Breaker 60A 3-POLE    | X           |             |             |              |              |              |              | X            | X            |              |              |              |              |              |              | X            |              |              |              |              |              |
| 6        | S8401-002 | Heat Contactor 3-Pole         | X           | X           | X           |              |              |              | X            | X            | X            | X            | X            |              |              |              | X            | X            |              |              | X            |              | X            |
| 6        | S8401-006 | Heat Contactor 2-Pole         |             |             |             | X            | X            | X            |              |              |              |              |              |              |              | X            |              |              |              |              |              |              |              |
| 6        | 8401-025  | Heat Contactor 2-Pole         |             |             |             |              |              |              |              |              |              |              |              |              | X            |              |              |              |              | X            |              |              |              |
| 6        | 8401-033  | Heat Contactor 2-Pole         |             |             |             |              |              |              |              |              |              |              |              | X            |              |              |              | X            |              |              |              | X            |              |
| 7        | 8615-047  | Jumper Bar                    |             |             |             |              | X            | X            |              |              |              |              |              |              |              | X            |              |              |              |              |              |              |              |
| 8        | 8611-006  | Terminal                      | X           | X           | X           | X            | X            | X            | X            | X            | X            | X            | X            | X            | X            | X            | X            | X            | X            | X            | X            | X            | X            |
| 9        | 8615-049  | Jumper Bar Cover              |             |             |             |              | X            | X            |              |              |              |              |              |              |              | X            |              |              |              |              |              |              |              |
| NS       | 8615-061  | Cover Plate 3 PH              | X           |             |             |              |              |              | X            | X            | X            |              |              |              |              |              |              | X            |              |              | X            |              |              |
| NS       | 8615-096  | Switch Cover Plate            |             | X           | X           |              |              |              |              |              |              |              | X            |              |              |              |              |              |              |              |              |              |              |
| NS       | 112-767   | Terminal Block Bracket        |             |             |             |              |              |              |              |              | X            | X            |              |              |              |              |              |              |              |              | X            | X            |              |
| NS       | 113-767   | Terminal Block Bracket        |             |             |             |              |              |              |              |              | X            | X            |              |              |              |              |              |              |              |              | X            | X            |              |
| NS       | 4097-1009 | Wiring Diagram                |             |             |             |              |              | X            |              |              |              |              |              |              |              | X            |              |              |              |              |              |              |              |
| NS       | 4097-1010 | Wiring Diagram                |             |             |             |              |              |              |              |              |              |              |              |              |              |              |              |              |              |              |              |              |              |
| NS       | 4097-1011 | Wiring Diagram                |             |             |             | X            |              |              |              |              |              |              |              | X            |              |              |              |              |              | X            |              |              |              |
| NS       | 4097-1014 | Wiring Diagram                |             |             |             |              | X            |              |              |              |              |              |              |              |              |              |              |              |              |              |              | X            |              |
| NS       | 4097-254  | Wiring Diagram                | X           |             |             |              |              |              |              | X            | X            |              |              |              |              |              |              | X            |              |              |              |              |              |
| NS       | 4097-255  | Wiring Diagram                |             |             |             |              |              |              | X            | X            |              |              |              |              |              |              |              | X            |              |              |              |              |              |
| NS       | 4097-344  | Wiring Diagram                |             | X           |             |              |              |              |              |              |              |              | X            |              |              |              |              |              |              |              | X            |              |              |
| NS       | 4097-345  | Wiring Diagram                |             |             | X           |              |              |              |              |              |              |              |              |              |              |              |              |              |              |              |              |              |              |