
REPLACEMENT PARTS MANUAL

Electric Heat Packages

Models:

EHW18H-A04	EHW30HB-A05	EHW3HB-C09
EHW18H-A08	EHW30HB-A10	EHW3HBDA05
EHW2HB-A04	EHW30HB-B05	EHW3HBDA10
EHW2HB-A08	EHW3HB-A05	EHW3HBDB05
EHW2HB-B05	EHW3HB-A10	EHW3HBDB09
EHW2HB-C05	EHW3HB-A15	EHW3HBDC05
EHW2HBDA05	EHW3HB-B05	EHW3HBDC09
EHW2TH-A04	EHW3HB-B09	
EHW2TH-A08	EHW3HB-C05	

Contents

Description	Page
Functional Components	
♦ Layout View	2
♦ Usage List	3
♦ Layout View	4
♦ Usage List	5

General Notes

- Revised and/or additional pages may be issued from time to time.
- A complete and current manual consists of pages shown in the following contents section.

Important

- Contact the installing and/or local Bard distributor for all parts requirements. Make sure to have the complete model and serial number available from the unit rating plates.

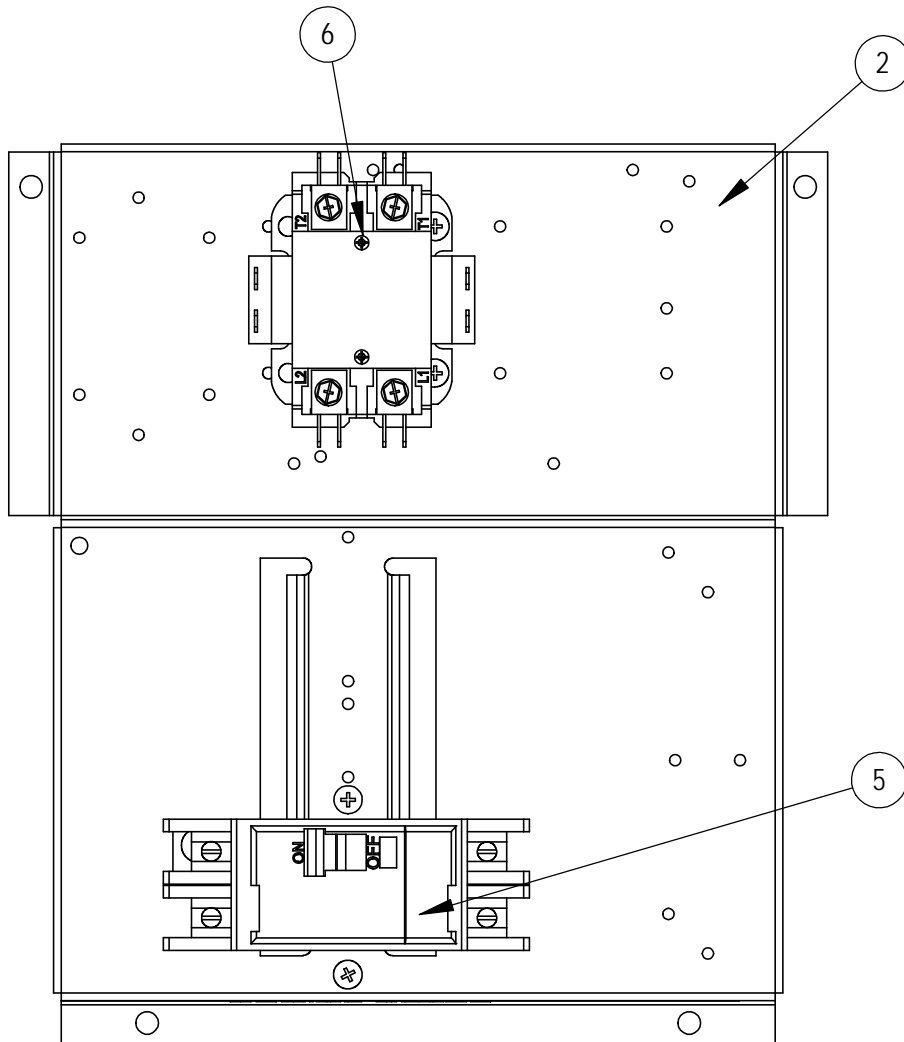
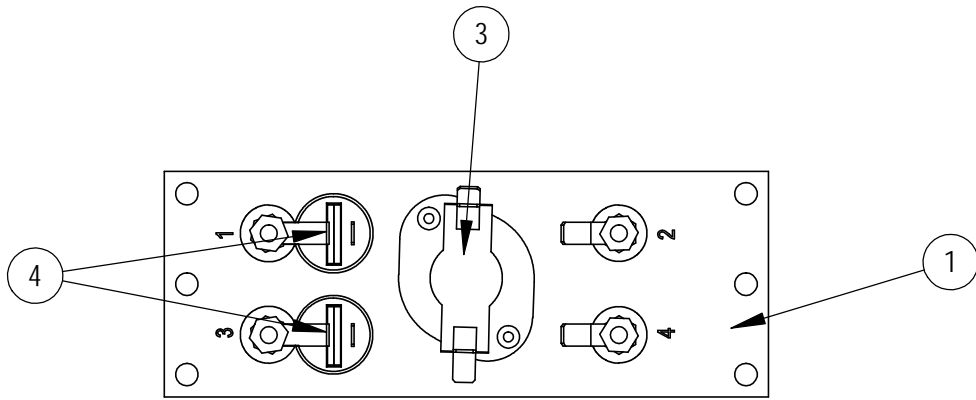


Climate Control Solutions

Bard Manufacturing Company, Inc.
Bryan, Ohio 43506
www.bardhvac.com

Manual: 2110-629D
Supersedes: 2110-629C
Date: 12-14-22

FUNCTIONAL COMPONENTS



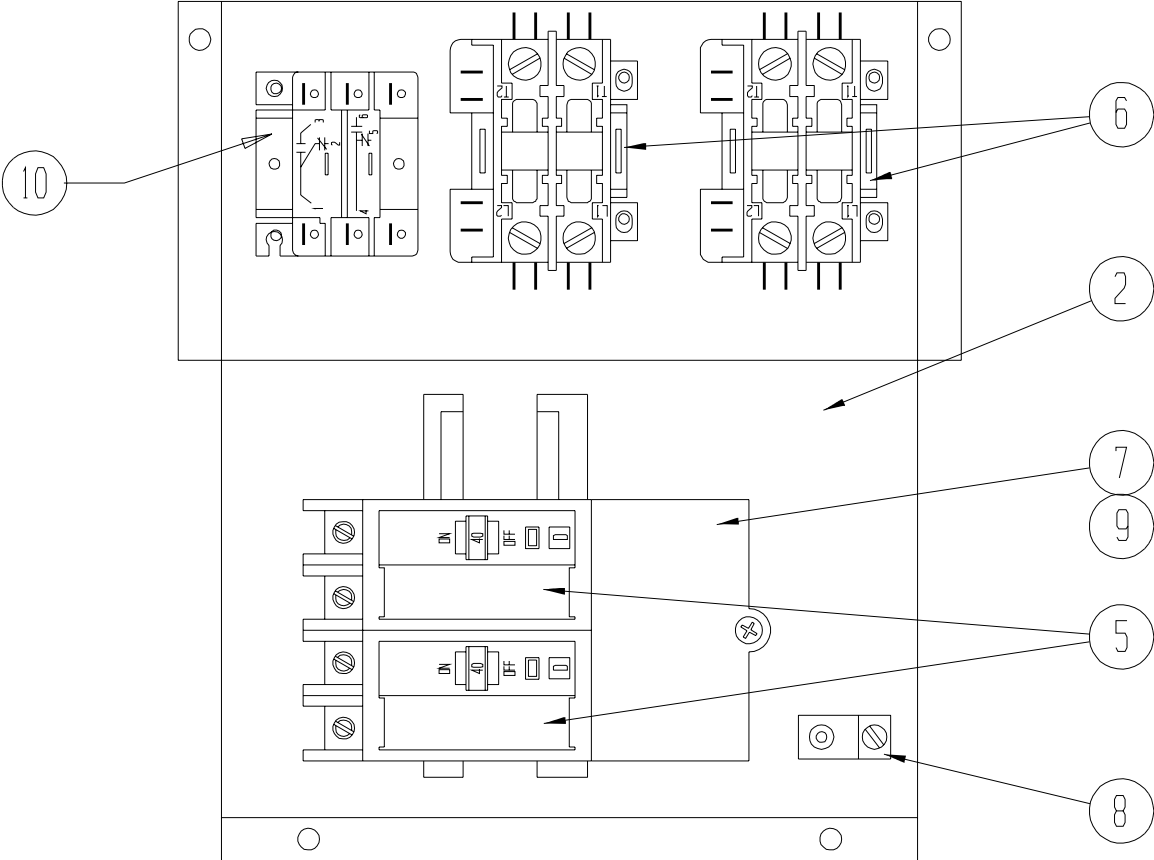
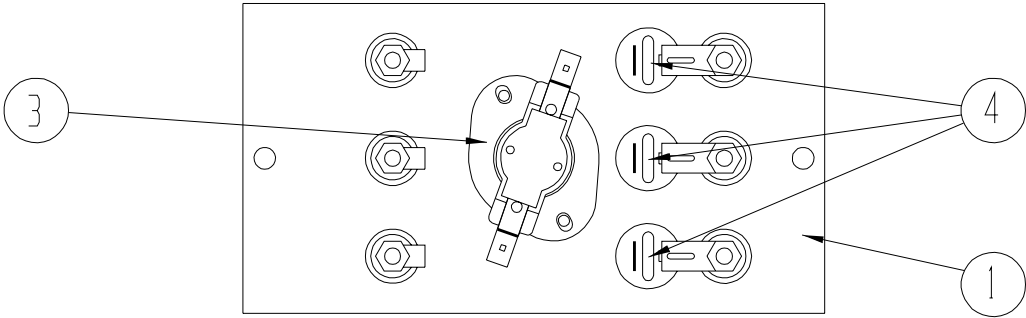
SEXP-1003

FUNCTIONAL COMPONENTS

Dwg. No.	Part No.	Description	EHW18H-A04	EHW18H-A08	EHW2HB-A04	EHW2HB-A08	EHW2HB-B05	EHW2HB-C05	EHW2HBDA05	EHW2TH-A04	EHW2TH-A08
1	8604-088	Heat Strip 4KW 240V 2 TERM L	X		X					X	
1	8604-089	Heat Strip 5KW 240V 2 TERM L		X					X		
1	8604-090	Heat Strip 8KW 240V 4 TERM L			X						X
1	8604-146	Heat Strip 5KW 240V 3 TERM L				X					
1	8604-155	Heat Strip 5KW 480V 3-PH						X			
2	127-321	Heater Control Base						X			
2	127X210	Heater Control Base	X	X	X	X	X		X	X	X
3	8402-033	Limit Control	X		X		X			X	
3	8402-049	Limit Control		X		X					X
3	8402-074	Limit Control				X					X
3	8402-119	Limit Control					X				
3	8402-178	Limit Control						X			
4	8402-091	Thermal Cutoff					2				
4	S8402-092	Thermal Cutoff	1		1					1	
4	S8402-096	Thermal Cutoff		2		2					2
4	8402-128	Thermal Cutoff					2				
4	8402-191	Thermal Cutoff						1			
5	8615-036	Circuit Breaker 25A			X	X				X	X
5	8615-039	Circuit Breaker 45A			X	X				X	X
5	8615-040	Circuit Breaker 50A 2 POLE						X			
5	8615-041	Circuit Breaker 60A		X							
5	8615-052	Circuit Breaker 30A				X					
5	8615-055	Circuit Breaker 40A	X					X			
5	S8615-095	Toggle Disconnect						X			
6	S8401-002	Heat Contactor	X		X	2	X	X	X	X	2
6	S8401-006	Heat Contactor		X							
6	8401-025	Heat Contactor									
NS	8615-047	Jumper Bar Base 4 POLE				X					X
NS	8615-049	Jumper Bar Cover 4 POLE				X					X
NS	8611-006	Terminal				X					X
NS	4097-121	Wiring Diagram	X							X	
NS	4097-131	Wiring Diagram		X							
NS	4097-141	Wiring Diagram									X
NS	4097-259	Wiring Diagram				X					
NS	4097-322	Wiring Diagram					X				
NS	4097-1018	Wiring Diagram			X			X			
NS	4097-1019	Wiring Diagram				X			X		

NS – Not Shown

FUNCTIONAL COMPONENTS



SEXP-165 A

FUNCTIONAL COMPONENTS

Dwg. No.	Part No.	Description	EHW30HB-A05	EHW30HB-A10	EHW30HB-B05	EHW3HB-A05	EHW3HB-A10	EHW3HB-A15	EHW3HB-B05	EHW3HB-B09	EHW3HB-C05	EHW3HB-C09	EHW3HBDA05	EHW3HBDA10	EHW3HBDB05	EHW3HBDB09	EHW3HBDC05	EHW3HBDC09
1	8604-089	Heat Strip 5KW 240V 2 TERM L					X	X					X					
1	8604-095	Heat Strip 10KW 240V 4 TERM L		X			X	X						X				
1	8604-101	Heat Strip 10KW 240V 4 TERM										X						X
1	8604-118	Heat Strip 5KW 240V 2 TERM L	X			X												
1	8604-121	Heat Strip 9KW 240V 3 TERM L								X							X	
1	8604-155	Heat Strip 5KW 480V 3-PH									X						X	
1	8604-159	Heat Strip 5KW 240V 3 TERM L			X				X						X			
2	127-321	Heater Control Base	X	X	X	X	X	X	X	X	X	X	X	X	X	X	X	X
2	127X210	Heater Control Base	X	X	X	X	X	X	X	X	X	X	X	X	X	X	X	X
3	8402-033	Limit Control	X			X												
3	8402-081	Limit Control		X			X											
3	8402-113	Limit Control						X										
3	8402-178	Limit Control											X					
3	8402-206	Limit Control			X				X		X			X			X	
3	8402-209	Limit Control													X			
3	8402-210	Limit Control														X		
3	8402-211	Limit Control										X						X
3	8402-212	Limit Control								X								
4	S8402-094	Thermal Cutoff															2	
4	S8402-095	Thermal Cutoff									2						2	
4	8402-098	Thermal Cutoff	1			1												
4	S8402-114	Thermal Cutoff		2			2	3										2
4	8402-138	Thermal Cutoff							2			2						
4	8402-191	Thermal Cutoff											1	2				
4	8402-200	Thermal Cutoff			2				2									
5	8615-037	Circuit Breaker 30A 2-POLE		X			X	X						X				
5	8615-040	Circuit Breaker 50A 2-POLE	X	X														
5	8615-041	Circuit Breaker 60A 2-POLE				X	X	X					X	X				
5	8615-042	Circuit Breaker 35A 3-POLE			X										X			
5	8615-043	Circuit Breaker 40A 3-POLE							X									
5	8615-045	Circuit Breaker 50A 3-POLE								X						X		
5	S8615-095	Toggle Disconnect									X	X					X	X
6	S8401-002	Heat Contactor			X				X	X	X	X			X	X	X	X
6	S8401-006	Heat Contactor	X	2		X	2	X					X	2				
6	8401-025	Heat Contactor						X										
7	8615-047	Jumper Bar Base 4 POLE		X			X	X						X				
8	8611-006	Ground Terminal		X			X	X						X				
9	8615-049	Jumper Bar Cover 4 POLE		X			X	X						X				
10	8201-013	Emergency Heat Relay						X										
NS	4097-259	Wiring Diagram			X				X	X					X	X		
NS	4097-347	Wiring Diagram									X	X					X	X
NS	4097-1016	Wiring Diagram						X										
NS	4097-1018	Wiring Diagram	X			X							X					
NS	4097-1019	Wiring Diagram		X			X							X				

NS – Not Shown