
REPLACEMENT PARTS MANUAL

Electric Heat Packages

Models:

EHWH018A-A04	EHWH030A-B05
EHWH018A-A08	EHWH030A-B09
EHWH024A-A04	EHWH030A-C05
EHWH024A-A08	EHWH030A-C09
EHWH024A-B05	EHWH036A-A05
EHWH024A-C05	EHWH036A-A10
EHWH030A-A05	EHWH036A-A15
EHWH030A-A10	EHWH036A-B09

Contents

Description	Page
Functional Components	
♦ Layout View	2
♦ Usage List	3

General Notes

- Revised and/or additional pages may be issued from time to time.
- A complete and current manual consists of pages shown in the following contents section.

Important

- Contact the installing and/or local Bard distributor for all parts requirements. Make sure to have the complete model and serial number available from the unit rating plates.

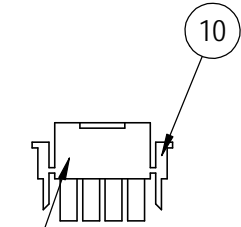
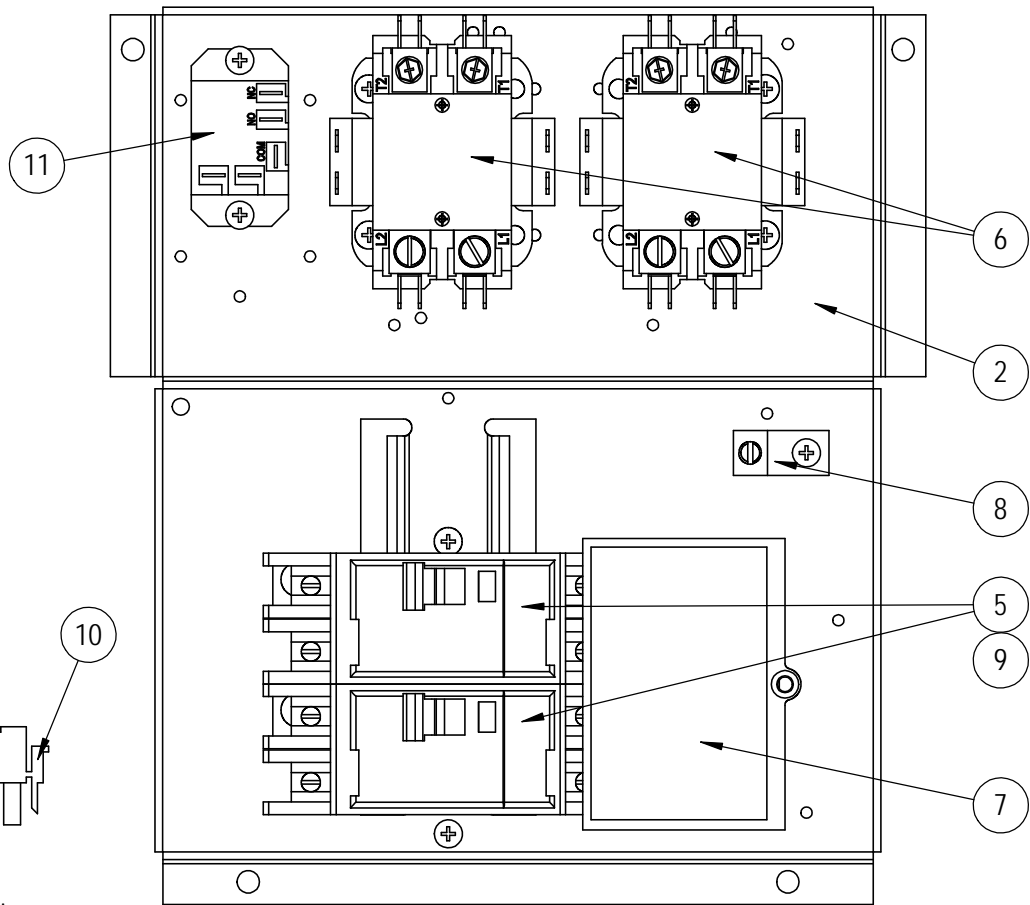
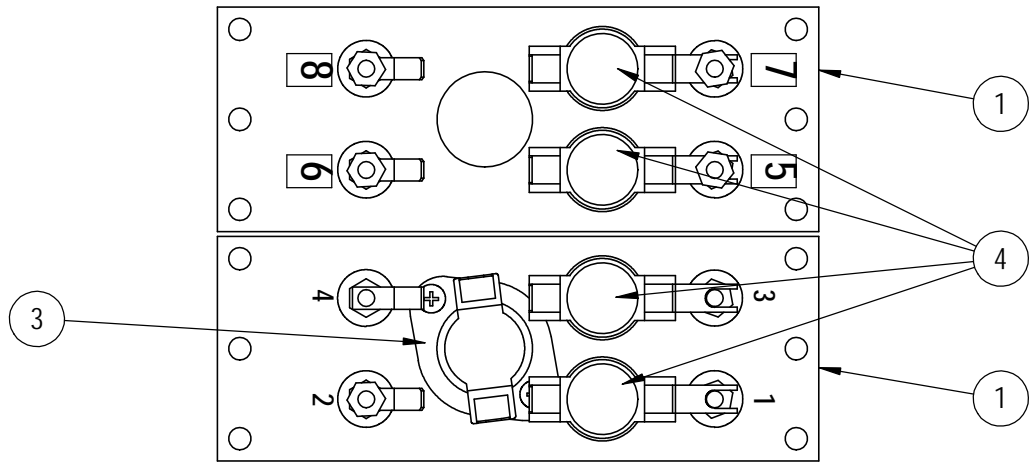


Bard Manufacturing Company, Inc.
Bryan, Ohio 43506
www.bardhvac.com

Manual: 2110-633A
Supersedes: 2110-633
Date: 9-5-23

Climate Control Solutions

FUNCTIONAL COMPONENTS



NOTE:
CAN BE 3 OR 4 PIN.
REFER TO UNIT LITERATURE.

SEXP-1097 A

FUNCTIONAL COMPONENTS

Dwg. No.	Part No.	Description	EHWH018A-A04	EHWH018A-A08	EHWH024A-A04	EHWH024A-A08	EHWH024A-B05	EHWH024A-C05	EHWH030A-A05	EHWH030A-A10	EHWH030A-B05	EHWH030A-B09	EHWH030A-C05	EHWH030A-C09	EHWH036A-A05	EHWH036A-A10	EHWH036A-A15	EHWH036A-B09
1	8604-101BX	Heat Strip 9KW 480V 3 TERM												X				
1	8604-116BX	Heat Strip 10KW 240V 4 TERM							X	X						X	X	
1	8604-118BX	Heat Strip 5KW 240V 2 TERM L							X						X		X	
1	8604-121BX	Heat Strip 9KW 240V 3 TERM L										X						X
1	8604-125BX	Heat Strip 8KW 240V 4 TERM		X		X												
1	8604-128BX	Heat Strip 4KW 240V 2 TERM	X		X													
1	8604-155BX	Heat Strip 5KW 480V 3 PH						X					X					
1	8604-159BX	Heat Strip 5KW 240V 3 TERM L					X											
1	8604-164BX	Heat Strip 5KW 240V 3 TERM L									X							
2	127-321BX	Heater Control Base						X						X				
2	127X210BX	Heater Control Base - RH	X	X	X	X	X	X	X	X	X	X	X	X	X	X	X	X
3	8402-225BX	Limit Control L170-8.0	X		X		X	X	X		X				X		X	
3	8402-226BX	Limit Control L180-8.0		X		X				X		X				X	X	
3	8402-227BX	Limit Control L190-8.0			X							X						X
3	8402-228BX	Limit Control L200-8.0											X					
4	8402-098BX	Limit Control 200 DEG ONESHOT	1		1							2	2					
4	8402-128BX	Limit Control 220 DEG ONESHOT		2		2	2	2		2		2	2	2		2	3	2
4	8402-231BX	Limit Control 208 DEG ONESHOT							1						1			
5	8615-036BX	Circuit Breaker 25A 2 POLE				X			X									
5	8615-038BX	Circuit Breaker 35A 2 POLE				X										X	X	
5	8615-039BX	Circuit Breaker 45A 2 POLE			X	X												
5	8615-040BX	Circuit Breaker 50A 2 POLE							X									
5	8615-041BX	Circuit Breaker 60A 2 POLE		X						X					X	X	X	
5	8615-042BX	Circuit Breaker 35A 3 POLE									X							
5	8615-044BX	Circuit Breaker 45A 3 POLE										X						
5	8615-045BX	Circuit Breaker 50A 3 POLE											X					X
5	8615-052BX	Circuit Breaker 30A 3 POLE					X											
5	8615-055BX	Circuit Breaker 40A 2 POLE	X															
5	8615-095BX	Toggle Disconnect						X					X	X				
6	8401-035BX	Contactors 3 POLE 25A					X	X			X	X	X	X				X
6	8401-033BX	Contactors 2 POLE 20A	X		X				X						X		X	
6	8401-034BX	Contactors 2 POLE 40A		X	X					X						X	X	
7	8615-047BX	Jumper Bar Base 4 POLE				X				X						X	X	
8	8611-281	Terminal	X	X	X	X	X	X	X	X	X	X	X	X	X	X	X	X
9	8615-049BX	Jumper Bar Cover 4 POLE				X				X						X	X	
10	3000-1789	Wire Assembly	X	X	X	X	X	X	X	X	X	X	X	X	X	X		X
10	3000-1790	Wire Assembly															X	
11	8201-130	Relay															X	
NS	116-436BX	Cover Plate 3 PH					X				X	X						X
NS	8615-096BX	Disconnect Cover						X					X	X				
NS	4116-132	Wiring Diagram	X		X				X						X			
NS	4116-133	Wiring Diagram		X														
NS	4116-134	Wiring Diagram				X				X						X		
NS	4116-135	Wiring Diagram															X	
NS	4116-232	Wiring Diagram					X				X	X						X
NS	4116-332	Wiring Diagram						X					X	X				

NS – Not Shown