

---

# REPLACEMENT PARTS MANUAL

---

## Electric Heat Packages

### Models:

EHWH018A-A04	EHWH030A-B05
EHWH018A-A08	EHWH030A-B09
EHWH024A-A04	EHWH030A-C05
EHWH024A-A08	EHWH030A-C09
EHWH024A-B05	EHWH036A-A05
EHWH024A-C05	EHWH036A-A10
EHWH030A-A05	EHWH036A-A15
EHWH030A-A10	EHWH036A-B09

---

### Contents

Description	Page
Functional Components	
♦ Layout View .....	2
♦ Usage List .....	3

### General Notes

- Revised and/or additional pages may be issued from time to time.
- A complete and current manual consists of pages shown in the following contents section.

### Important

- Contact the installing and/or local Bard distributor for all parts requirements. Make sure to have the complete model and serial number available from the unit rating plates.

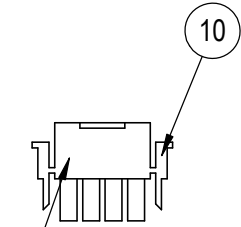
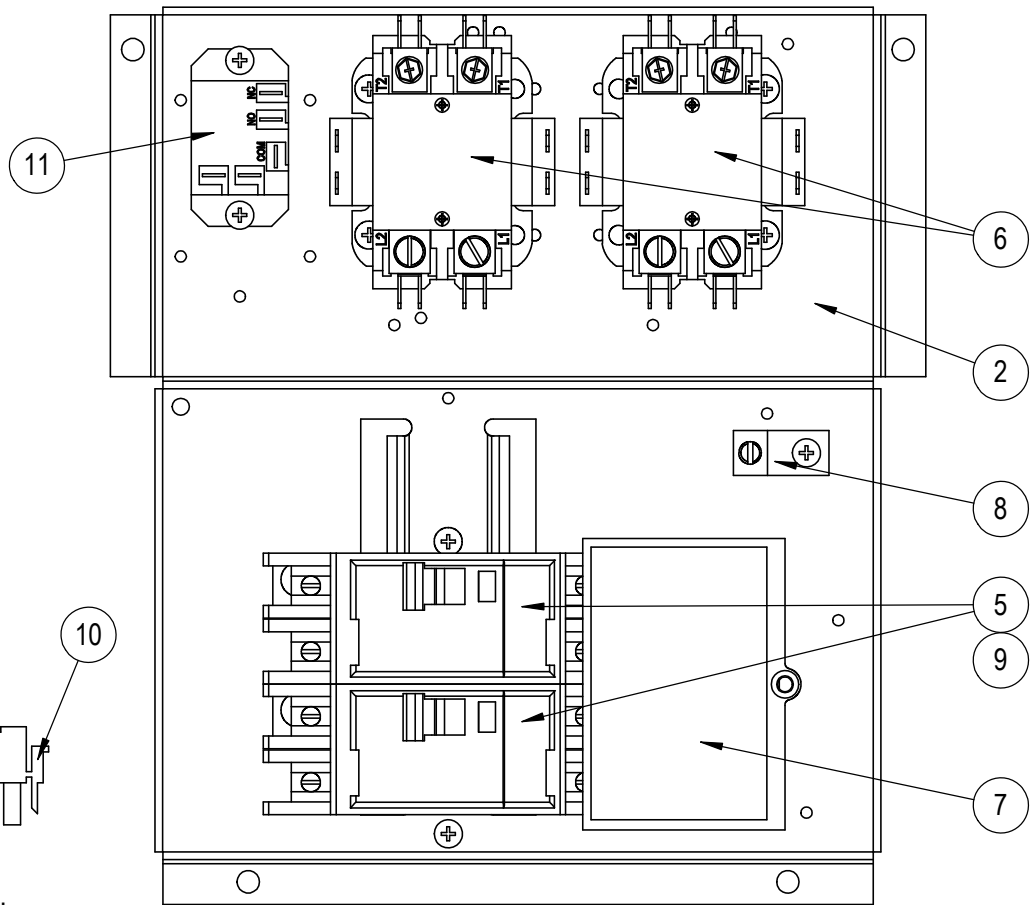
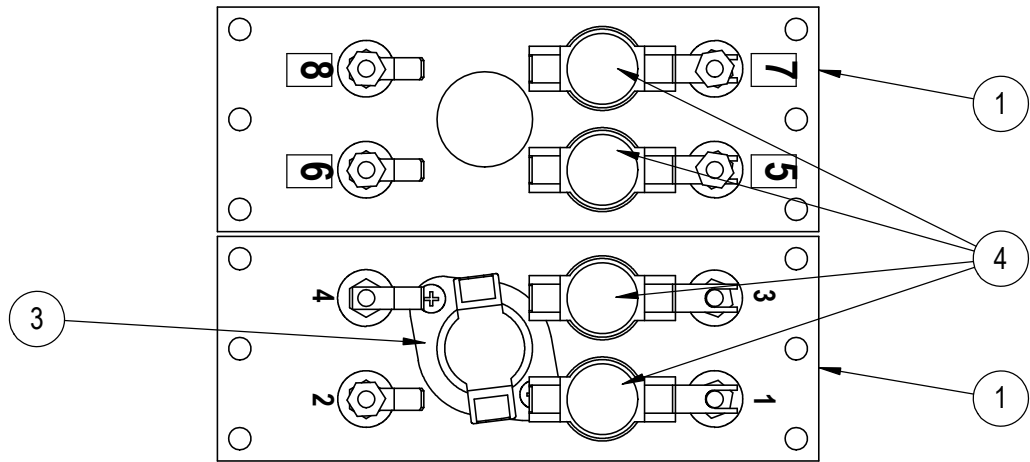


*Climate Control Solutions*

Bard Manufacturing Company, Inc.  
Bryan, Ohio 43506  
[www.bardhvac.com](http://www.bardhvac.com)

Manual: 2110-633B  
Supersedes: 2110-633A  
Date: 12-1-23

# FUNCTIONAL COMPONENTS



NOTE:  
CAN BE 3 OR 4 PIN.  
REFER TO UNIT LITERATURE.

SEXP-1097 A

# FUNCTIONAL COMPONENTS

Dwg. No.	Part No.	Description	EHWH018A-A04	EHWH018A-A08	EHWH024A-A04	EHWH024A-A08	EHWH024A-B05	EHWH024A-C05	EHWH030A-A05	EHWH030A-A10	EHWH030A-B05	EHWH030A-B09	EHWH030A-C05	EHWH030A-C09	EHWH036A-A05	EHWH036A-A10	EHWH036A-A15	EHWH036A-B09
1	8604-101BX	Heat Strip 9KW 480V 3 TERM								X				X				
1	8604-116BX	Heat Strip 10KW 240V 4 TERM														X	X	
1	8604-118BX	Heat Strip 5KW 240V 2 TERM L							X						X		X	
1	8604-121BX	Heat Strip 9KW 240V 3 TERM L										X						X
1	8604-125BX	Heat Strip 8KW 240V 4 TERM																
1	8604-128BX	Heat Strip 4KW 240V 2 TERM	X	X	X													
1	8604-155BX	Heat Strip 5KW 480V 3 PH						X					X					
1	8604-159BX	Heat Strip 5KW 240V 3 TERM L					X											
1	8604-164BX	Heat Strip 5KW 240V 3 TERM L									X							
2	127-321BX	Heater Control Base						X					X	X				
2	127X210BX	Heater Control Base - RH	X	X	X	X	X	X	X	X	X	X	X	X	X	X	X	X
3	8402-225BX	Limit Control L170-8.0	X		X		X	X	X		X		X		X			
3	8402-226BX	Limit Control L180-8.0								X						X	X	
3	8402-227BX	Limit Control L190-8.0		X		X						X						X
3	8402-228BX	Limit Control L200-8.0											X					
4	8402-098BX	Limit Control 200 DEG ONESHOT	1		1						2		2					
4	8402-128BX	Limit Control 220 DEG ONESHOT		2		2	2	2		2		2	2	2		2	3	2
4	8402-231BX	Limit Control 208 DEG ONESHOT							1						1			
5	8615-036BX	Circuit Breaker 25A 2 POLE				X												
5	8615-037BX	Circuit Breaker 30A 2 POLE								X								
5	8615-038BX	Circuit Breaker 35A 2 POLE														X	X	
5	8615-039BX	Circuit Breaker 45A 2 POLE			X	X												
5	8615-040BX	Circuit Breaker 50A 2 POLE							X									
5	8615-041BX	Circuit Breaker 60A 2 POLE		X						X					X	X	X	
5	8615-042BX	Circuit Breaker 35A 3 POLE									X							
5	8615-044BX	Circuit Breaker 45A 3 POLE										X						
5	8615-045BX	Circuit Breaker 50A 3 POLE																X
5	8615-052BX	Circuit Breaker 30A 3 POLE					X											
5	8615-055BX	Circuit Breaker 40A 2 POLE	X															
5	8615-095BX	Toggle Disconnect						X					X	X				
6	8401-035BX	Contactors 3 POLE 25A					X	X			X	X	X	X				X
6	8401-033BX	Contactors 2 POLE 20A	X		X				X						X		X	
6	8401-034BX	Contactors 2 POLE 40A		X		X				X						X	X	
7	8615-047BX	Jumper Bar Base 4 POLE				X				X						X	X	
8	8611-281	Terminal	X	X	X	X	X	X	X	X	X	X	X	X	X	X	X	X
9	8615-049BX	Jumper Bar Cover 4 POLE				X				X						X	X	
10	3000-1789	Wire Assembly	X	X	X	X	X	X	X	X	X	X	X	X	X	X		X
10	3000-1790	Wire Assembly															X	
11	8201-130	Relay															X	
NS	116-436BX	Cover Plate 3 PH					X				X	X						X
NS	8615-096BX	Disconnect Cover						X					X	X				
NS	4116-132	Wiring Diagram	X		X				X						X			
NS	4116-133	Wiring Diagram		X														
NS	4116-134	Wiring Diagram				X				X						X		
NS	4116-135	Wiring Diagram															X	
NS	4116-232	Wiring Diagram					X				X	X						X
NS	4116-332	Wiring Diagram						X					X	X				

NS – Not Shown