
REPLACEMENT PARTS MANUAL

Wall Mount Heater Package

Models:

EHWA042A-A05	EHWA042A-F07	EHWA048A-B15	EHWA060A-A10
EHWA042A-A10	EHWA042A-F12	EHWA048A-C09	EHWA060A-A15
EHWA042A-A15	EHWA042ADA10	EHWA048A-C15	EHWA060A-B15
EHWA042A-B05	EHWA042ADC05	EHWA048A-F07	EHWA072A-A05
EHWA042A-B09	EHWA048A-A05	EHWA048A-F12	EHWA072A-A10
EHWA042A-B15	EHWA048A-A10	EHWA048ADA05	EHWA072A-A15
EHWA042A-C09	EHWA048A-A15	EHWA048ADC05	EHWA072A-B09
EHWA042A-C15	EHWA048A-B09	EHWA060A-A05	

Contents

Description	Page
Air Conditioner Heater Packages	
• Layout View	2
• Usage List	3
• Usage List	4

General Notes

- Revised and/or additional pages may be issued from time to time.
- A complete and current manual consists of pages shown in the following contents section.

Important

- Contact the installing and/or local Bard distributor for all parts requirements. Make sure to have the complete model and serial number available from the unit rating plates.

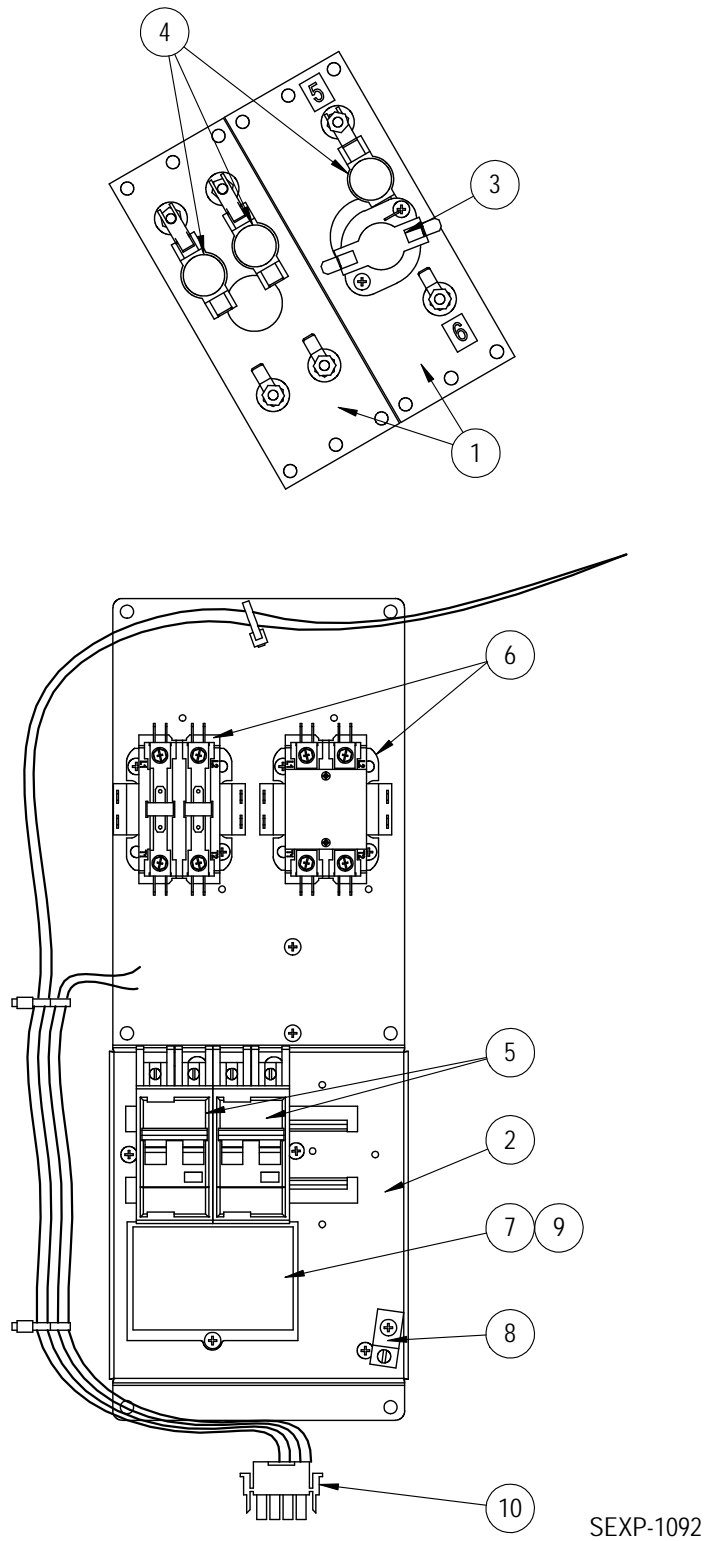


Bard Manufacturing Company, Inc.
Bryan, Ohio 43506
www.bardhvac.com

Manual: 2110-634
Supersedes: **NEW**
Date: 7-11-23

Climate Control Solutions

AIR CONDITIONER HEATER PACKAGES



AIR CONDITIONER HEATER PACKAGES

Dwg. No.	Part No.	Description	EHWA042A-A05	EHWA042A-A10	EHWA042A-A15	EHWA042A-B05	EHWA042A-B09	EHWA042A-B15	EHWA042A-C09	EHWA042A-C15	EHWA042A-F07	EHWA042A-F12	EHWA042ADA10	EHWA042ADC05	EHWA048A-A05	EHWA048A-A10	EHWA048A-A15	EHWA048A-B09	EHWA048A-B15	EHWA048A-C09	EHWA048A-C15	EHWA048A-F07	EHWA048A-F12	EHWA048ADA05	EHWA048ADC05	
1	8604-100BX	Heat Strip 6KW 480V 3 TERM						X	X	X	X									X	X					
1	8604-101BX	Heat Strip 9KW 480V 3 TERM							X	X	X	X								X	X					
1	8604-116BX	Heat Strip 10KW 240V 4 TERM	X	X	X								X		X	X	X									
1	8604-118BX	Heat Strip 5KW 240V 2 TERM L		X											X	X	X							X		
1	8604-121BX	Heat Strip 9KW 240V 3 TERM L				X	X											X	X							
1	8604-126BX	Heat Strip 6 KW 240V 3 TERM L					X	X										X	X							
1	8604-155BX	Heat Strip 5 KW 480V 3-PH												X											X	
1	8604-164BX	Heat Strip 5 KW 240V 3 TERM L				X																				
2	127-575BX	Heater Control Base	X	X	X	X	X	X					X		X	X	X	X	X					X		
2	127-585BX	Heater Control Base							X	X	X	X		X						X	X	X	X		X	
3	8402-222BX	Limit Control L150-5.5													X					X	X			X	X	
3	8402-225BX	Limit Control L170-8.0	X			X								X		X	X	X	X		X			X		
3	8402-226BX	Limit Control L180-8.0		X																						
3	8402-227BX	Limit Control L190-8.0	X			X		X	X	X	X															
3	8402-228BX	Limit Control L200-8.0					X																			
4	8402-094BX	Limit Control 210 DEG ONESHOT													1	2										
4	8402-095BX	Limit Control 190 DEG ONESHOT																						1	2	
4	8402-098BX	Limit Control 200 DEG ONESHOT			2									2												
4	8402-128BX	Limit Control 220 DEG ONESHOT	2	3		2		2	4	2	4	2														
4	8402-138BX	Limit Control 240 DEG ONESHOT														3			4	2	4	2	4			
4	8402-231BX	Limit Control 208 DEG ONESHOT	1																							
4	8402-232BX	Limit Control 230 DEG ONESHOT				4																				
5	8615-037BX	Circuit Breaker 30A 2-POLE			X												X									
5	8615-039BX	Circuit Breaker 45A 2-POLE			X	X							X			X	X							X		
5	8615-041BX	Circuit Breaker 60A 2-POLE		X	X																					
5	8615-042BX	Circuit Breaker 35A 3-POLE				X												X								
5	8615-046BX	Circuit Breaker 60A 3-POLE					X												X							
5	8615-052BX	Circuit Breaker 30A 3-POLE				X																				
5	8615-055BX	Circuit Breaker 40A 2-POLE	X											X												
5	8615-095BX	Toggle Disconnect						X	X	X	X			X					X	X	X	X		X	X	
5	8615-096BX	Disconnect Cover						X	X	X	X			X					X	X	X	X		X	X	
6	8401-002BX	Heat Contactor 3-POLE 25 AMP	X			X	X	2	X	2	X	2		X				X	2	X	2	X	2	X	X	
6	8401-006BX	Heat Contactor 2-POLE 20 AMP		X	X									X			X							X		
6	8401-025BX	Heat Contactor 2-POLE 40 AMP	X	X								X			X	X										
7	8615-047BX	Jumper Bar Base 4 POLE			X												X									
8	8611-006	Terminal	X	X	X	X	X	X	X	X	X	X	X	X	X	X	X	X	X	X	X	X	X	X	X	X
9	8615-049BX	Jumper Bar Cover 4 POLE			X												X									
10	3000-1760	Wire Assembly	X	X		X	X	X	X	X	X	X	X	X	X	X	X	X	X	X	X	X	X	X	X	X
10	3000-1761	Wire Assembly			X			X		X		X					X		X		X		X			
NS	8607-013BX	Terminal Block 2 TERM, 240V									X	X									X	X				
NS	113-767BX	Terminal Block Bracket									X	X									X	X				
NS	4116-136	Wiring Diagram	X												X									X		
NS	4116-137	Wiring Diagram		X									X			X										
NS	4116-138	Wiring Diagram			X												X									
NS	4116-236	Wiring Diagram				X	X																			
NS	4116-238	Wiring Diagram					X												X							
NS	4116-336	Wiring Diagram						X		X				X						X		X			X	
NS	4116-338	Wiring Diagram							X		X									X		X			X	

NS – Not Shown

AIR CONDITIONER HEATER PACKAGES

Dwg. No.	Part No.	Description	EHWA060A-A05	EHWA060A-A10	EHWA060A-A15	EHWA060A-B15	EHWA072A-A05	EHWA072A-A10	EHWA072A-A15	EHWA072A-B09
1	8604-116BX	Heat Strip 10KW 240V 4 TERM		X	X			X	X	
1	8604-118BX	Heat Strip 5KW 240V 2 TERM L	X		X		X		X	
1	8604-121BX	Heat Strip 9KW 240V 3 TERM L				X				X
1	8604-126BX	Heat Strip 6 KW 240V 3 TERM L				X				
2	127-575BX	Heater Control Base	X	X	X	X	X	X	X	X
3	8402-225BX	Limit Control L170-8.0	X	X	X		X			
3	8402-226BX	Limit Control L180-8.0				X			X	
3	8402-227BX	Limit Control L190-8.0						X		X
4	8402-128BX	Limit Control 220 DEG ONESHOT		2	3	4		2	3	2
4	8402-231BX	Limit Control 208 DEG ONESHOT	1				1			
5	8615-037BX	Circuit Breaker 30A 2-POLE			X					
5	8615-040BX	Circuit Breaker 50A 2-POLE	X							
5	8615-041BX	Circuit Breaker 60A 2-POLE		X	X		X	2	2	
5	8615-044BX	Circuit Breaker 45A 3-POLE								X
5	8615-046BX	Circuit Breaker 60A 3-POLE				X				
6	8401-002BX	Heat Contactor 3-POLE 25 AMP				2				X
6	8401-006BX	Heat Contactor 2-POLE 20 AMP	X		X		X		X	
6	8401-025BX	Heat Contactor 2-POLE 40 AMP		X	X			X	X	
7	8615-047BX	Jumper Bar Base 4 POLE			X			X	X	
8	8611-006	Terminal	X	X	X	X	X	X	X	X
9	8615-049BX	Jumper Bar Cover 4 POLE			X			X	X	
10	3000-1760	Wire Assembly	X	X			X	X		X
10	3000-1761	Wire Assembly			X	X			X	
NS	4116-136	Wiring Diagram	X				X			
NS	4116-137	Wiring Diagram		X						
NS	4116-138	Wiring Diagram			X					
NS	4116-140	Wiring Diagram						X		
NS	4116-141	Wiring Diagram							X	
NS	4116-236	Wiring Diagram								X
NS	4116-238	Wiring Diagram				X				

NS – Not Shown