

REPLACEMENT PARTS MANUAL

WALL MOUNT ECONOMIZERS MODELS ECW-2A, ECW-3A, ECW-4A

Manual 2110-652

Revision --

Date 11-16-90

Supersedes

* GENERAL NOTES *

*Revised and/or additional pages may be issued from time to time.
*A complete and current manual consists of pages dated as shown in the following index.

** INDEX **

<u>Page Description</u>	<u>Page</u>	<u>Date</u>	<u>Supersedes</u>
Functional Components--Exploded View	1	11-16-90	
" " --Usage List	2	11-16-90	

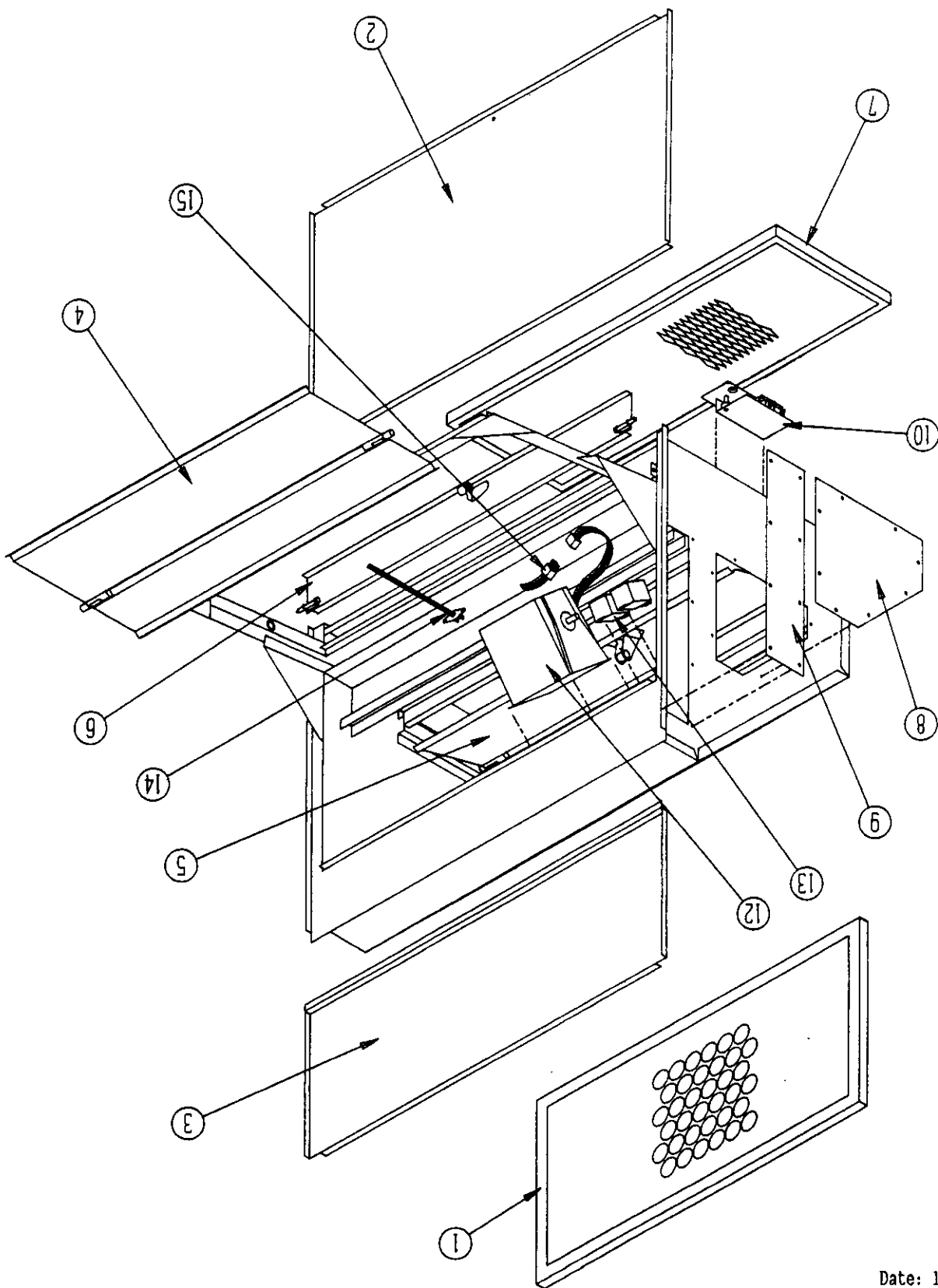
*** IMPORTANT ***

Contact the installing and/or local Bard distributor for all parts requirements. Make sure you have the complete model and serial number available from the unit rating plate.

BARD MANUFACTURING COMPANY

BRYAN, OHIO 43506

FUNCTIONAL COMPONENTS



Date: 11-16-90
Supersedes:

FUNCTIONAL COMPONENTS

Dwg. No.	Part No.	Description	ECW-2A	ECW-3A	ECW-4A
1	7004-006	Air Filter 14 x 25 x 1	X		
1	7004-008	Air Filter 15 x 30-5/8 x 1		X	
1	7004-016	Air Filter 20 x 30 x 1			X
2	9047-002	Lower Fill Panel			X
2	*	Lower Fill Panel	X		
2	*	Lower Fill Panel		X	
3	9047-001	Upper Fill Panel			X
3	*	Upper Fill Panel	X		
3	*	Upper Fill Panel		X	
4	*	Return Air Damper Blade	X		
4	*	Return Air Damper Blade		X	
4	*	Return Air Damper Blade			X
5	*	Outdoor Air Damper Blade w/Side Skirts	X		
5	*	Outdoor Air Damper Blade w/Side Skirts		X	
5	*	Outdoor Air Damper Blade w/Side Skirts			X
6	*	Exhaust Air Damper Blade	X		
6	*	Exhaust Air Damper Blade		X	
6	*	Exhaust Air Damper Blade			X
7	7002-005	Moisture Eliminator	X		
7	7002-010	Moisture Eliminator		X	
7	7002-011	Moisture Eliminator			X
8	*	Side Cover Plate	X		
8	*	Side Cover Plate		X	
8	*	Side Cover Plate			X
9	*	Filter Access Cover Plate	X		
9	*	Filter Access Cover Plate		X	
9	*	Filter Access Cover Plate			X
10	8602-025	Enthalpy Control	X	X	X
12	8602-022	Damper Motor	X	X	X
13	8602-034	Relay TPDT (2 required)	X	X	X
14	8602-023	Thermister Sensor	X	X	X
15	8602-035	Pig Tail (Unit End)	X	X	X
	4074-140	Wiring Diagram	X	X	X

*Contact factory for information.

Date: 11-16-90
Supersedes: