
REPLACEMENT PARTS MANUAL

COMMERCIAL ROOM VENTILATOR

MODELS: **CRV-2**
CRV-3
CRV-5

General Notes

- Revised and/or additional pages may be issued from time to time.
- A complete and current manual consists of pages shown in the following contents section.

Contents

Description	Page
Functional and Cabinet Components	
♦ Exploded View	2
♦ Exploded View	3
♦ Usage List	4

Important

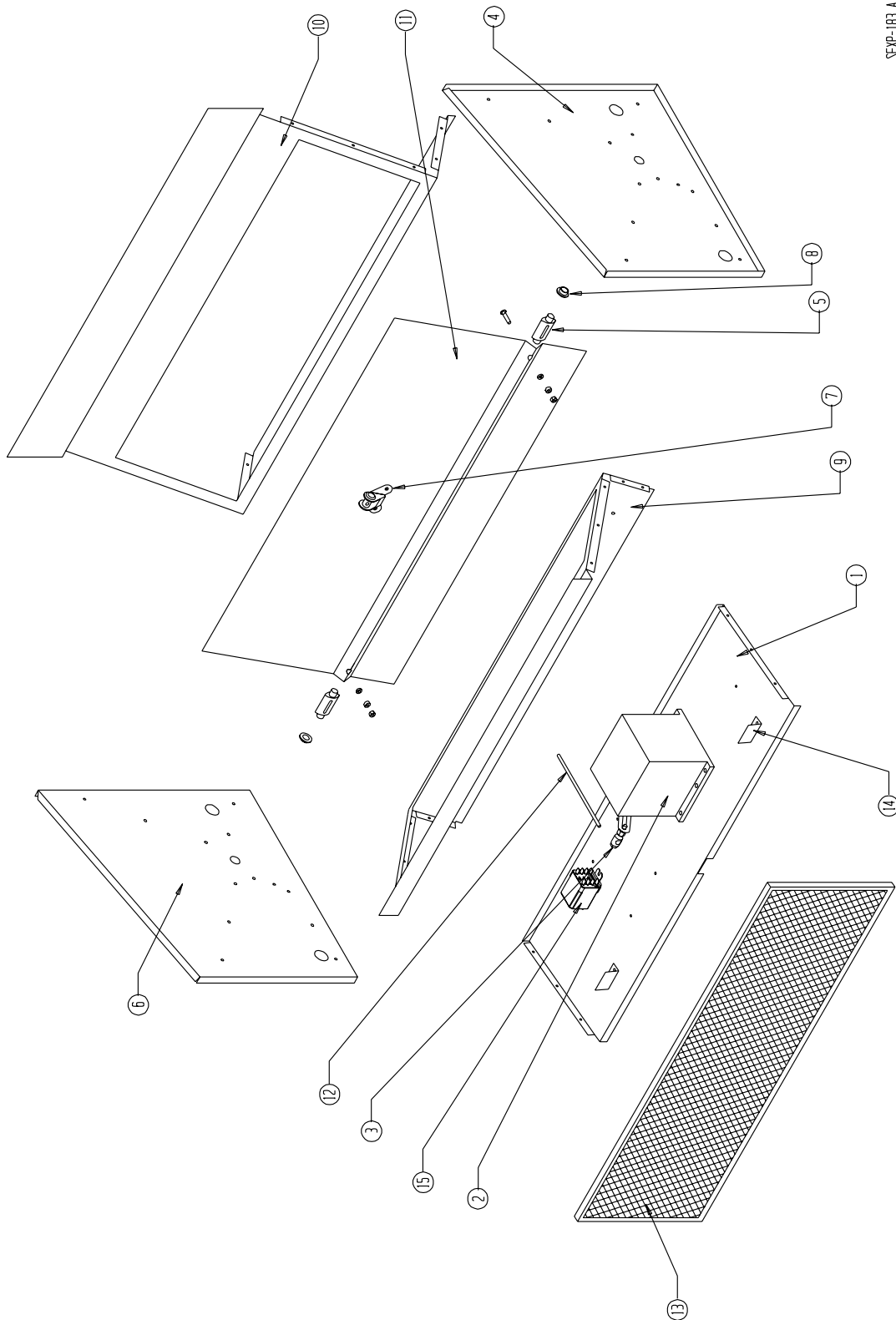
- Contact the installing and/or local Bard distributor for all parts requirements. Make sure you have the complete model and serial number available from the unit rating plates.



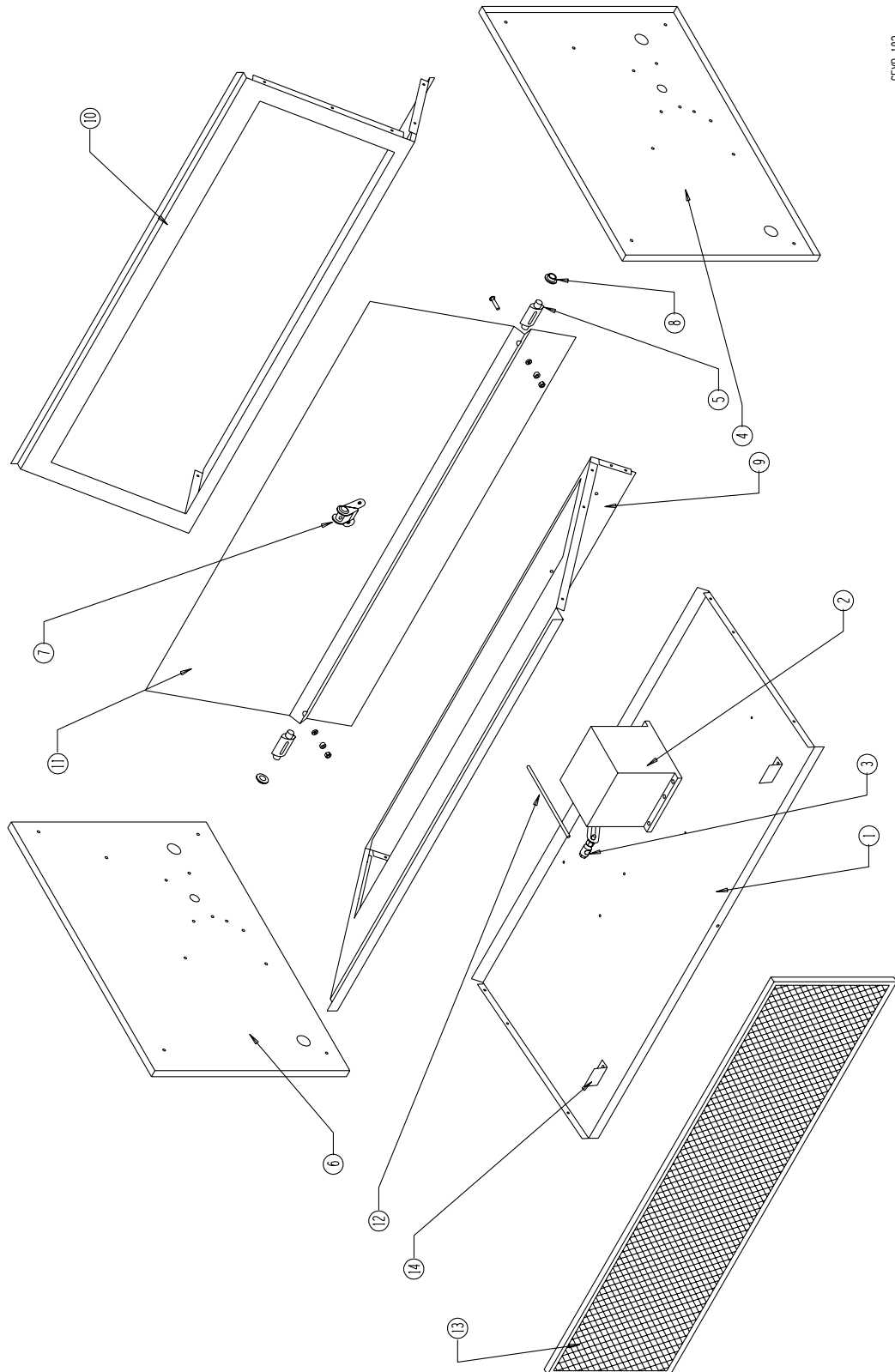
Bard Manufacturing Company, Inc.
Bryan, Ohio 43506
Since 1914...Moving ahead, just as planned.

Manual: 2110-656A
Supersedes: 2110-656
File: Vol. III Tab 19
Date: 03-09-10

FUNCTIONAL & CABINET COMPONENTS – CRV-2, -3



FUNCTIONAL & CABINET COMPONENTS – CRV-5



SEVP-182

FUNCTIONAL and CABINET COMPONENTS

Drawing No.	Part No.	Description	CRV-2	CRV-3	CRV-5
1	127-215	Base			X
1	127-212	Base		X	
1	127-213	Base	X		
2	8602-020	Motor	X	X	X
3	8602-008	Ball Joint	X	X	X
4	100X263	Right End		X	X
4	100X245	Right End	X		
5	8602-038	Damper Blade Pin	2	2	2
6	100Y263	Left End		X	X
6	100Y245	Left End	X		
7	8602-040	Bracket	X	X	X
8	8602-039	Bronze Bushing	2	2	2
9	137-218	Rear Fill			X
9	137-178	Rear Fill		X	
9	137-187	Rear Fill	X		
10	137-217	Return Air Fill			X
10	137-179	Return Air Fill		X	
10	137-188	Return Air Fill	X		
11	139-067	Damper Blade			X
11	139-054	Damper Blade	X		
11	139-053	Damper Blade		X	
12	8602-042	Rod	X	X	X
13	7003-035	Mist Eliminator			X
13	7003-033	Mist Eliminator		X	
13	7003-034	Mist Eliminator	X		
14	131-095	Filter Stop	2	2	
15	8201-048	Relay	X	X	
NS	4056-121B	Wiring Diagram	X	X	X

NS = Not Shown