

REPLACEMENT PARTS MANUAL

COMMERCIAL ROOM VENTILATOR
MODELS: CRV-2, CRV-3, CRV-5

Manual 2110-656 Revision Date 07-20-93 Supersedes

* GENERAL NOTES *

*Revised and/or additional pages may be issued from time to time.
*A complete and current manual consists of pages dated as shown in the following index.

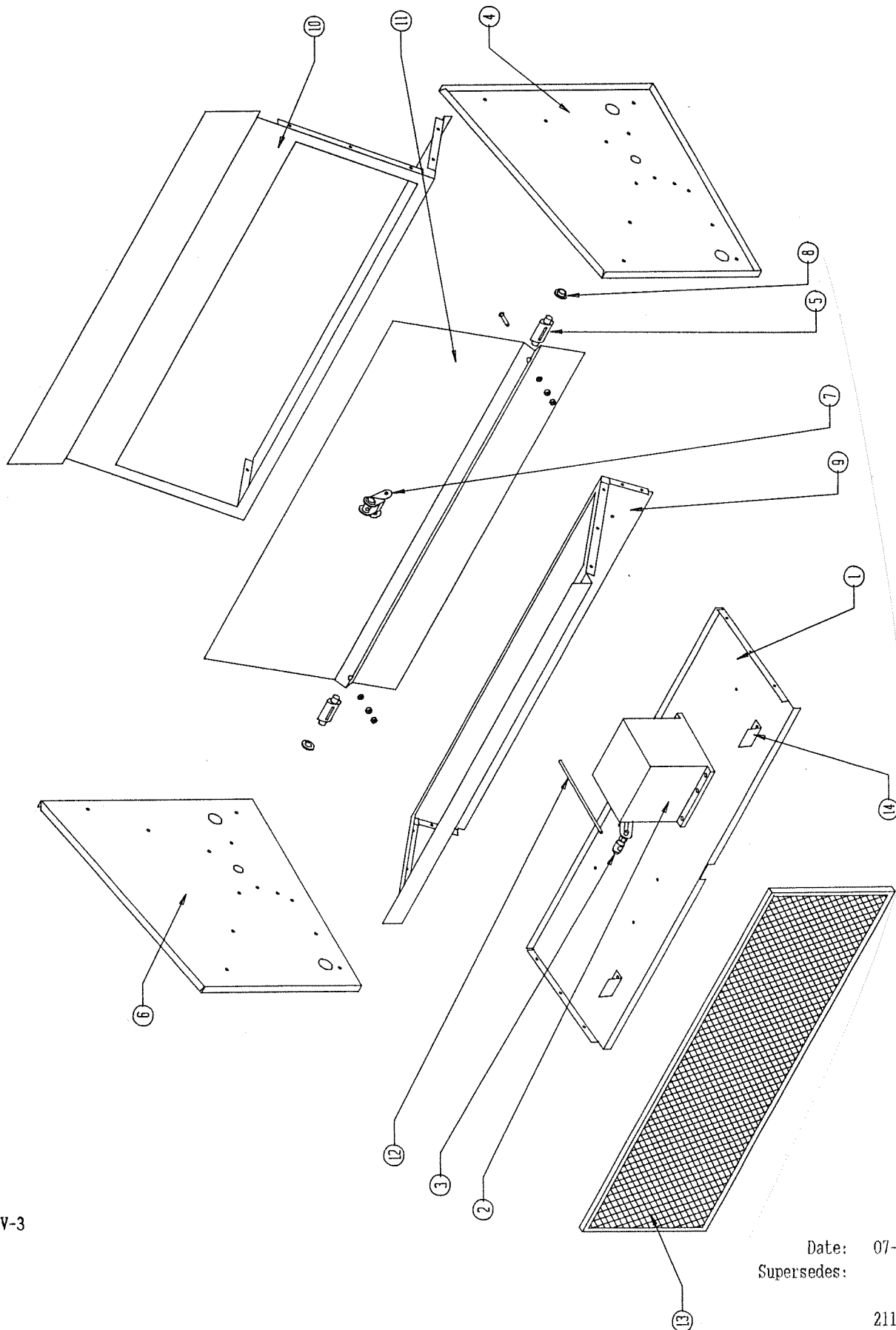
** INDEX **

<u>Page Description</u>	<u>Page</u>	<u>Date</u>	<u>Supersedes</u>
Functional and Cabinet Components--Exploded View	1	07-20-93	
" " " " --Exploded View	2	07-20-93	
" " " " --Usage List	3	07-20-93	

*** IMPORTANT ***

Contact the installing and/or local Bard distributor for all parts requirements. Make sure you have the complete model and serial number available from the unit rating plate.

CRV-2, -3
FUNCTIONAL AND CABINET COMPONENTS

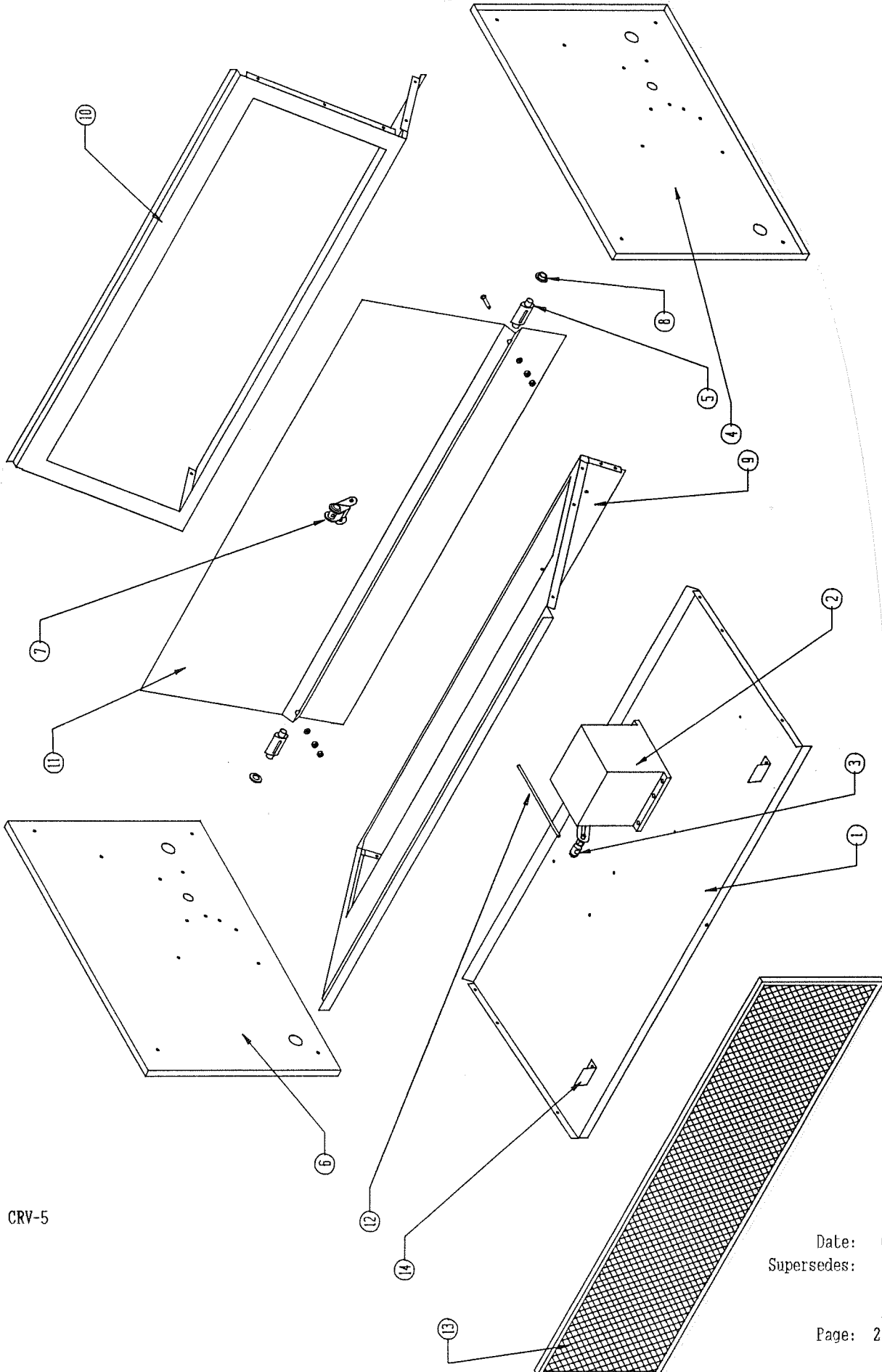


CRV-3

Date: 07-20-93
Supersedes:

2110-656
Page: 1

CRV-5
FUNCTIONAL AND CABINET COMPONENTS



CRV-5

Date: 07-20-93
Supersedes:

2110-656
Page: 2

FUNCTIONAL AND CABINET COMPONENTS

Dwg. No.	Part No.	Description	CRV-2	CRV-3	CRV-5
1	127-215	Base			X
1	127-212	Base		X	
1	127-213	Base	X		
2	8602-020	Motor	X	X	X
3	8602-008	Ball Joint	X	X	X
4	100X263	Right End		X	X
4	100X245	Right End	X		
5	8602-038	Damper Blade Pin	X	X	X
6	100Y263	Left End		X	X
6	100Y245	Left End	X		
7	8602-040	Bracket	X	X	X
8	8602-039	Bronze Bushing	2	2	2
9	137-218	Rear Fill			X
9	137-178	Rear Fill		X	
9	137-187	Rear Fill	X		
10	137-217	Return Air Fill			X
10	137-179	Return Air Fill		X	
10	137-188	Return Air Fill	X		
11	139-067	Damper Blade			X
11	139-054	Damper Blade	X		
11	139-053	Damper Blade		X	
12	8602-042	Rod	X	X	X
13	7003-035	Mist Eliminator			X
13	7003-033	Mist Eliminator		X	
13	7003-034	Mist Eliminator	X		
14	131-095	Filter Stop	2	2	
	4056-121B	Wiring Diagram	X	X	X

Date: 07-20-93
Supersedes: