

REPLACEMENT PARTS MANUAL

ECONOMIZER
MODELS: EIFM-2, EIFM-3, EIFM-5

Manual **2110-657**

Revi si on

Date **07-20-93**

Supersedes

* GENERAL NOTES *

*Revised and/or additional pages may be issued from time to time.
*A complete and current manual consists of pages dated as shown in the following index.

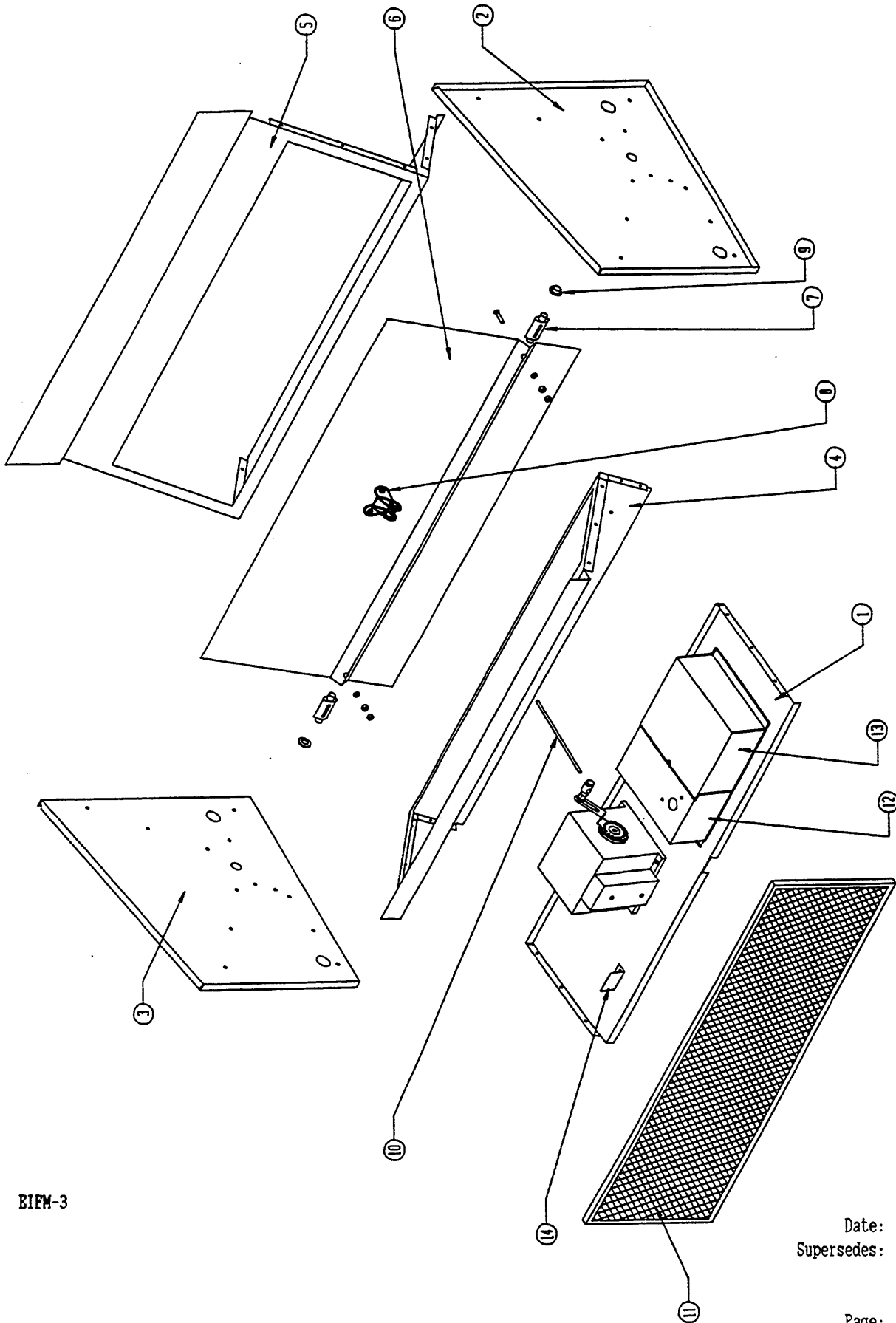
** INDEX **

<u>Page</u>	<u>Description</u>	<u>Page</u>	<u>Date</u>	<u>Supersedes</u>
Functional and Cabinet	Components--Exploded View	1	07-20-93	
	" --Exploded View	2	07-20-93	
	" --Exploded View	3	07-20-93	
	" --Usage List	4	07-20-93	

*** IMPORTANT ***

Contact the installing and/or local Bard distributor for all parts requirements. Make sure you have the complete model and serial number available from the unit rating plate.

EIFM-2, -3
FUNCTIONAL AND CABINET COMPONENTS



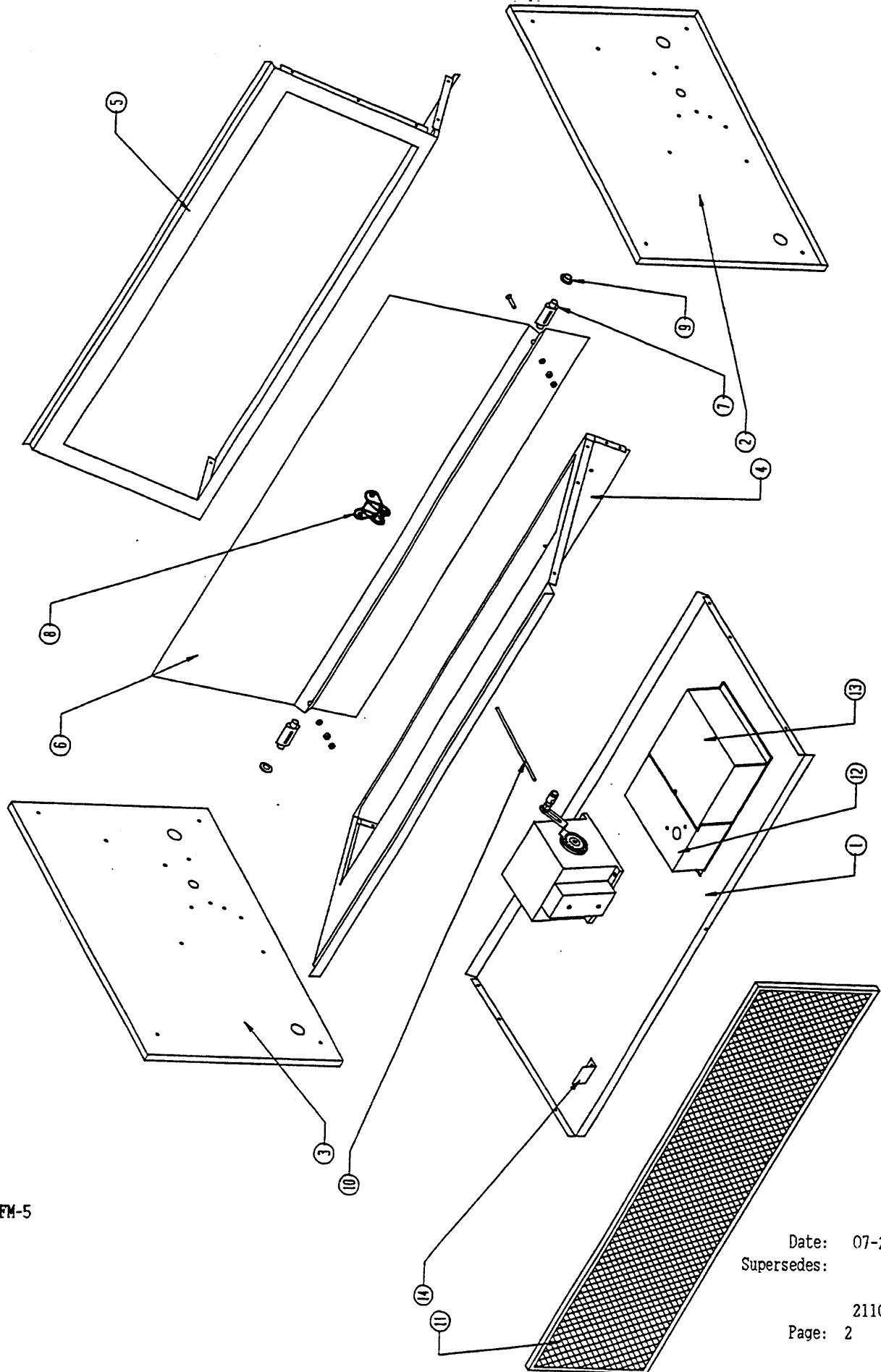
EIFM-3

Date: 07-20-93
Supersedes:

2110-657

Page: 1

EIFM-5
FUNCTIONAL AND CABINET COMPONENTS

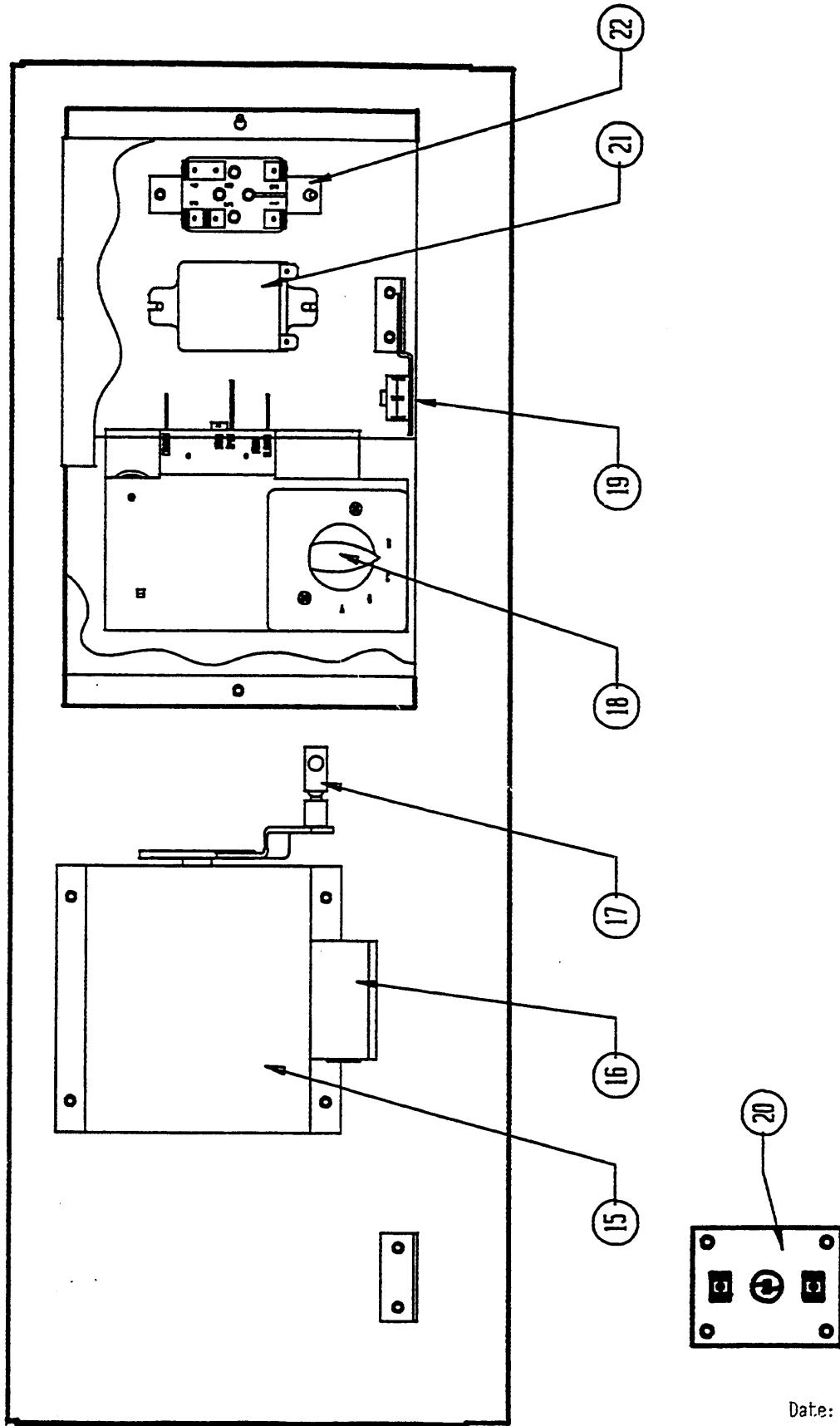


EIFM-5

Date: 07-20-93
Supersedes:

2110-657
Page: 2

FUNCTIONAL AND CABINET COMPONENTS



Date: 07-20-93
Supersedes:

FUNCTIONAL AND CABINET COMPONENTS

Dwg. No.	Part No.	Description	EIFM-2	EIFM-3	EIFM-5
1	127-213	Base	X		
1	127-212	Base		X	
1	127-215	Base			X
2	100X245	Right End	X	X	
2	100X263	Right End			X
3	100Y245	Left End	X	X	
3	100Y263	Left End			X
4	137-218	Rear Fill			X
4	137-178	Rear Fill		X	
4	137-187	Rear Fill	X		
5	137-217	Return Fill			X
5	137-179	Return Fill		X	
5	137-188	Return Fill	X		
6	139-067	Damper Blade			X
6	139-053	Damper Blade		X	
6	139-054	Damper Blade	X		
7	8602-038	Damper Blade Pin	X	X	X
8	8602-040	Bracket	X	X	X
9	8602-039	Bronze Bushing	X	X	X
10	8602-042	Rod	X	X	X
11	7003-033	Mist Eliminator		X	
11	7003-034	Mist Eliminator	X		
11	7003-035	Mist Eliminator			X
12	117-140	Control Panel Base	X	X	X
13	133-111	Control Panel Cover	X	X	X
14	131-095	Filter Stop	X	X	X
15	8602-037	Damper Motor	X	X	X
16	8602-041	Terminal Cover	X	X	X
17	8602-008	Ball Joint	X	X	X
18	8602-025	Enthalpy Control	X	X	X
19	8602-019	Potentiometer	X	X	X
20	8602-018	Thermistor	X	X	X
21	8201-048	Control Relay 1	X	X	X
22	8201-062	Control Relay 2	X	X	X
	4096 -130	Wiring Diagram	X	X	X

4056-130

Date: 07-20-93
Supersedes:

2110-657
Page: 4