

---

# REPLACEMENT PARTS MANUAL

---

## MOTORIZED FRESH AIR DAMPER

Models:

MFAD-2    MFAD-3    MFAD-5

---

### General Notes

- Revised and/or additional pages may be issued from time to time.
- A complete and current manual consists of pages shown in the following contents section.

### Contents

| Description                       | Page |
|-----------------------------------|------|
| Functional and Cabinet Components |      |
| ◆ Exploded View.....              | 2    |
| ◆ Usage List .....                | 3    |

### Important

- Contact the installing and/or local Bard distributor for all parts requirements. Make sure you have the complete model and serial number available from the unit rating plates.

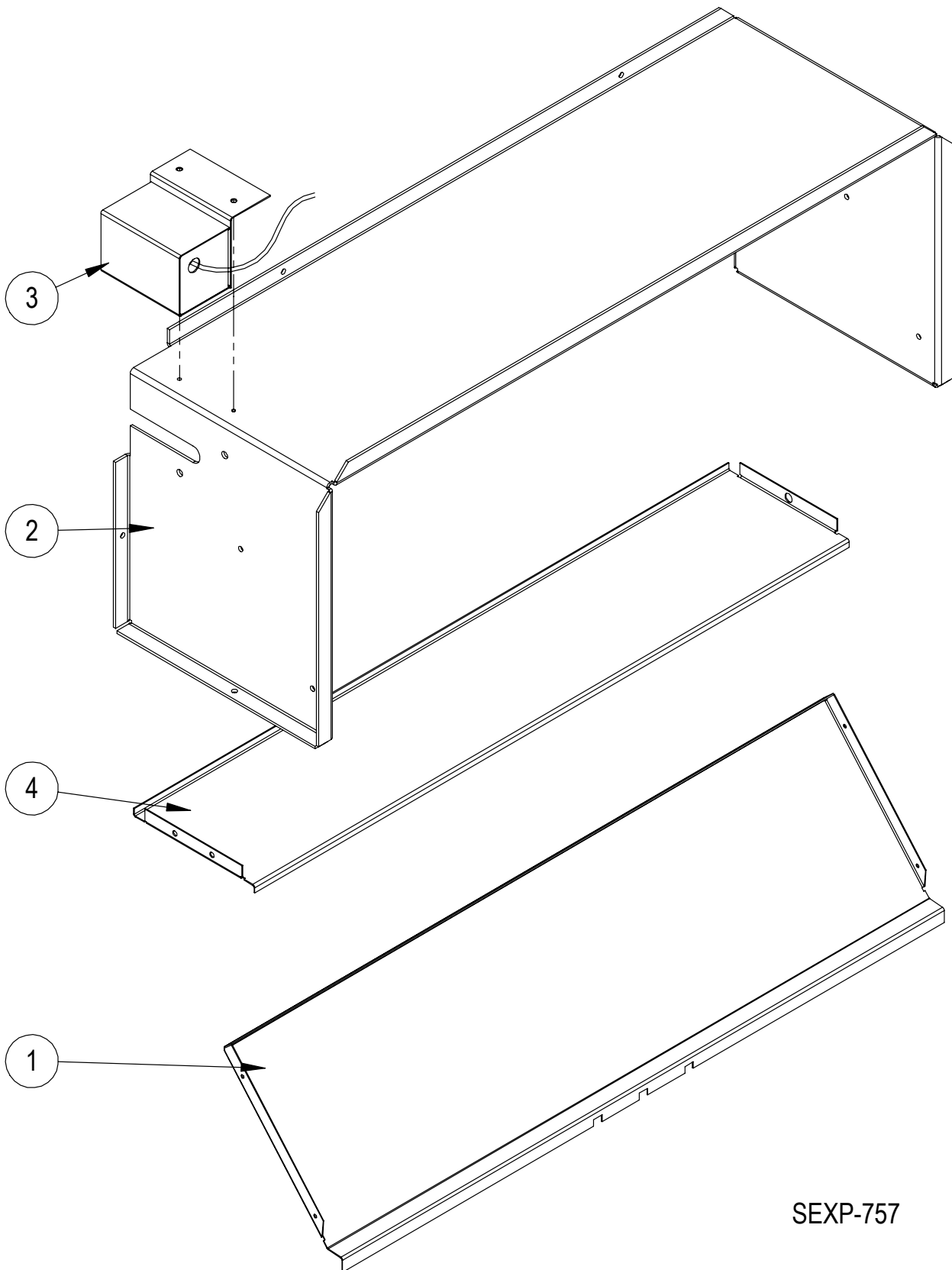


Bard Manufacturing Company, Inc.  
Bryan, Ohio 43506  
www.bardhvac.com

Manual : 2110-658A  
Supersedes: 2110-658  
File: Tab 19  
Date: 10-02-14

# FUNCTIONAL AND CABINET COMPONENTS

---



SEXP-757

# FUNCTIONAL AND CABINET COMPONENTS

---

| Drawing No. | Part No. | Description | MFAD-2 | MFAD-3 | MFAD-5 |
|-------------|----------|-------------|--------|--------|--------|
| 1           | 139-052  | Partition   |        | X      |        |
| 1           | 139-047  | Partition   | X      |        |        |
| 1           | 139-062  | Partition   |        |        | X      |
| 2           | S539-050 | Wrapper     |        | X      |        |
| 2           | S539-045 | Wrapper     | X      |        |        |
| 2           | S539-060 | Wrapper     |        |        | X      |
| 3           | 8110-001 | Motor       | X      | X      | X      |
| 4           | 139-051  | Blade       |        | X      |        |
| 4           | 139-046  | Blade       | X      |        |        |
| 4           | 139-061  | Blade       |        |        | X      |