

REPLACEMENT PARTS MANUAL

MOTORIZED FRESH AIR DAMPER MODELS: MFAD-2, MFAD-3, MFAD-5

Manual 2110-658 Revision Date 07-20-93 Supersedes

* GENERAL NOTES *

*Revised and/or additional pages may be issued from time to time.
*A complete and current manual consists of pages dated as shown in the following index.

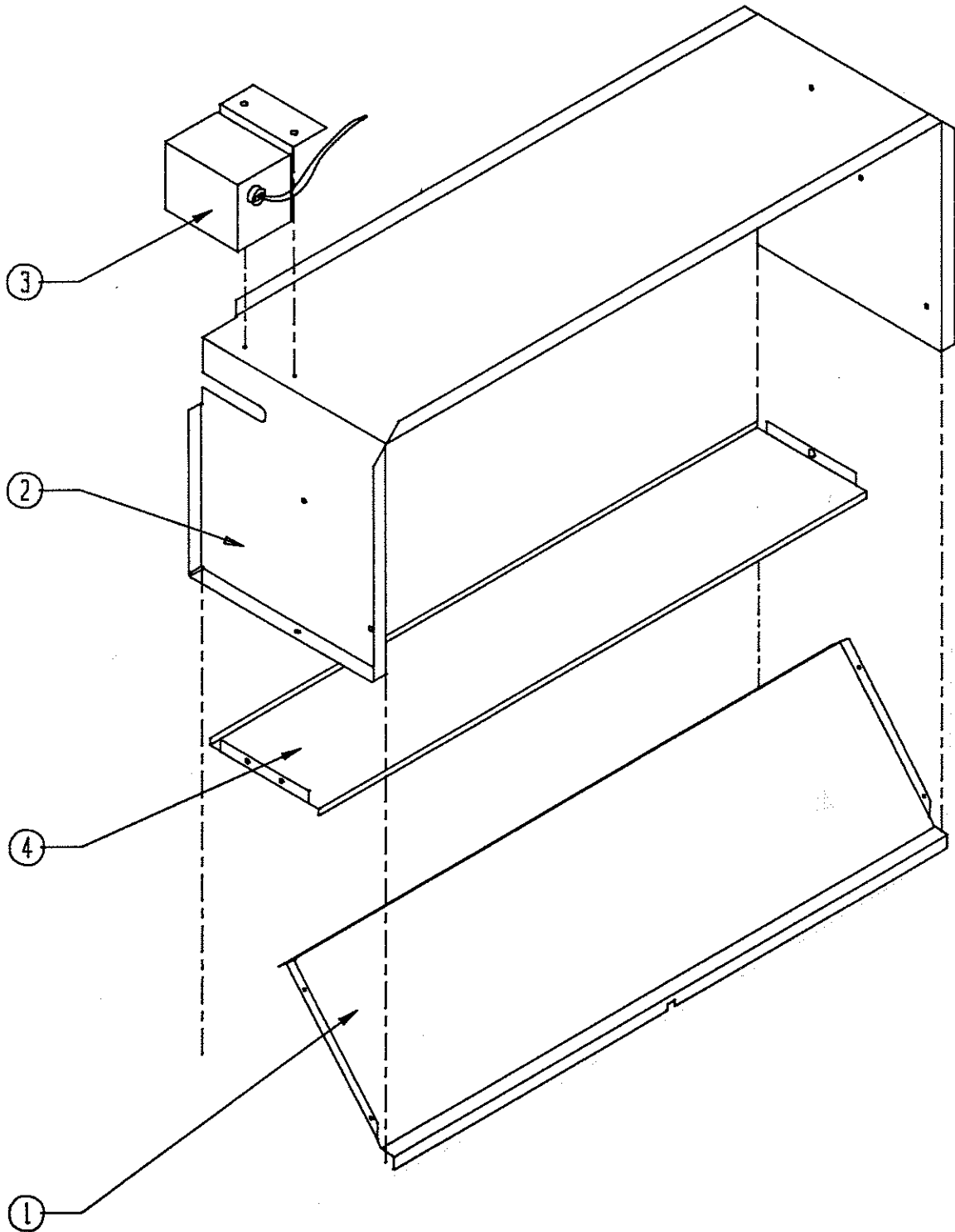
** INDEX **

<u>Page Description</u>	<u>Page</u>	<u>Date</u>	<u>Supersedes</u>
Functional and Cabinet Components--Exploded View	1	07-20-93	
" " " " --Usage List	2	07-20-93	

*** IMPORTANT ***

Contact the installing and/or local Bard distributor for all parts requirements. Make sure you have the complete model and serial number available from the unit rating plate.

FUNCTIONAL AND CABINET COMPONENTS



Date: 07-20-93
Supersedes:

2110-658
Page: 1

FUNCTIONAL AND CABINET COMPONENTS

Dwg. No.	Part No.	Description	MEAD-2	MEAD-3	MFAD-5
1	139-052	Partition		X	
1	139-047	Partition	X		
1	139-062	Partition			X
2	139-050	Wrapper		X	
2	139-045	Wrapper	X		
2	139-060	Wrapper			X
3	8110-001	Motor	X	X	X
4	139-051	Blade		X	
4	139-046	Blade	X		
4	139-061	Blade			X

Date: 07-20-93
Supersedes: