

REPLACEMENT PARTS MANUAL

WALL MOUNT ENERGY RECOVERY VENTILATOR

MODELS: WERV-A3A, WERV-C3A
WERV-A5A, WERV-C5A

Manual 2110-659

Revision B

Date 01-15-94

Supersedes 09-28-93

* GENERAL NOTES *

*Revised and/or additional pages may be issued from time to time.
*A complete and current manual consists of pages dated as shown in the following index.

** INDEX **

<u>Page Description</u>	<u>Page</u>	<u>Date</u>	<u>Supersedes</u>
Functional & Cabinet Components--Exploded View	1	07-20-93	
" " " " --Usage List	2	01-15-94	07-20-93
Functional & Cabinet Components--Exploded View	3	09-28-93	07-20-93
" " " " --Usage List	4	09-28-93	07-20-93
Cassette Components--Exploded View, Usage List	5	09-28-93	07-20-93
Rain Hood & Service Door--Exploded View, Usage List	6	09-28-93	07-20-93
Control Panel--Usage List and Exploded View	7	09-28-93	07-20-93

*** IMPORTANT ***

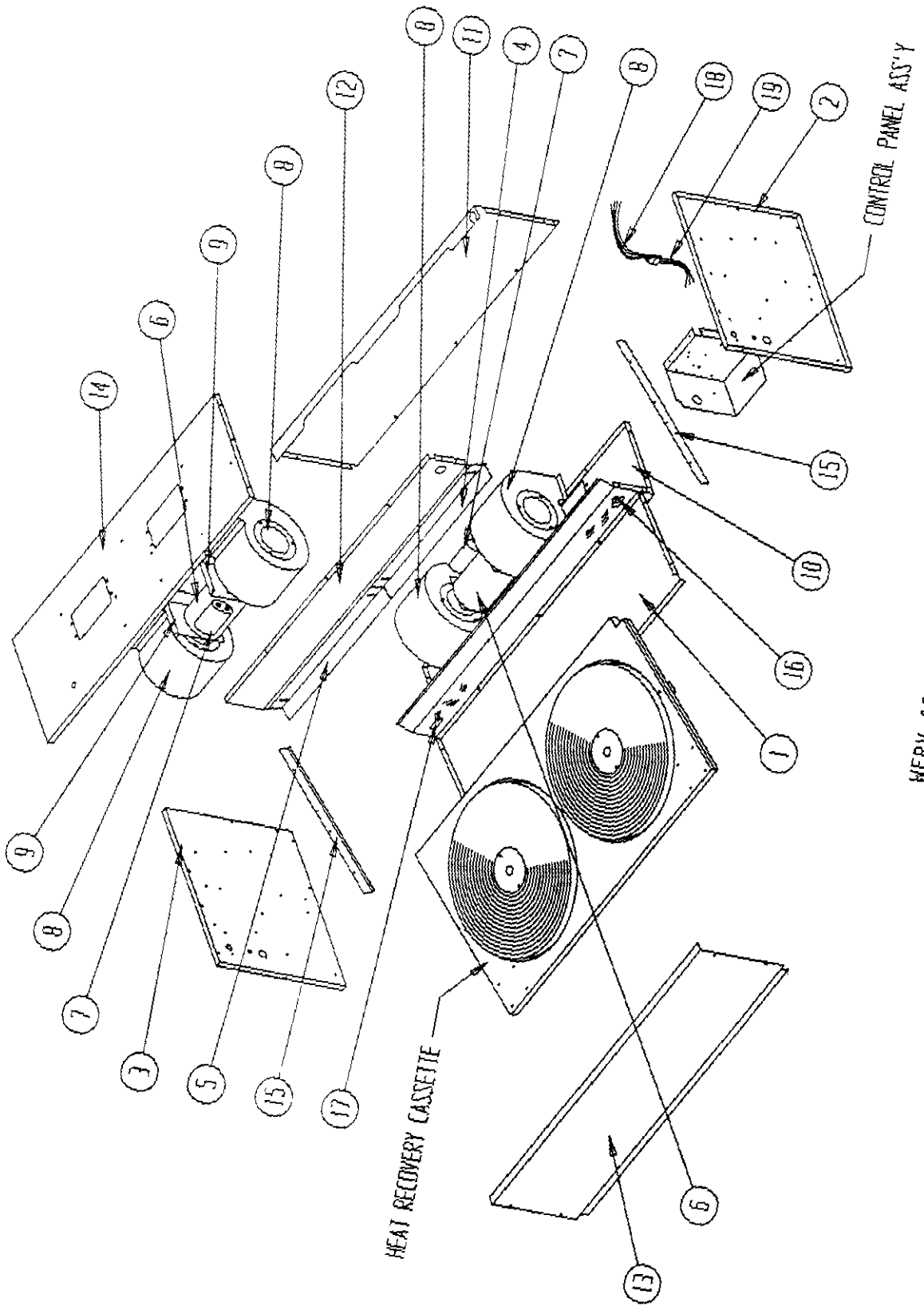
Contact the installing and/or local Bard distributor for all parts requirements. Make sure you have the complete model and serial number available from the unit rating plate.

BARD MANUFACTURING COMPANY

BRYAN, OHIO 43506

PATENT PENDING

FUNCTIONAL AND CABINET COMPONENTS



HEAT RECOVERY CASSETTE
CONTROL PANEL ASS'Y

Date: 07-20-93
Supersedes:

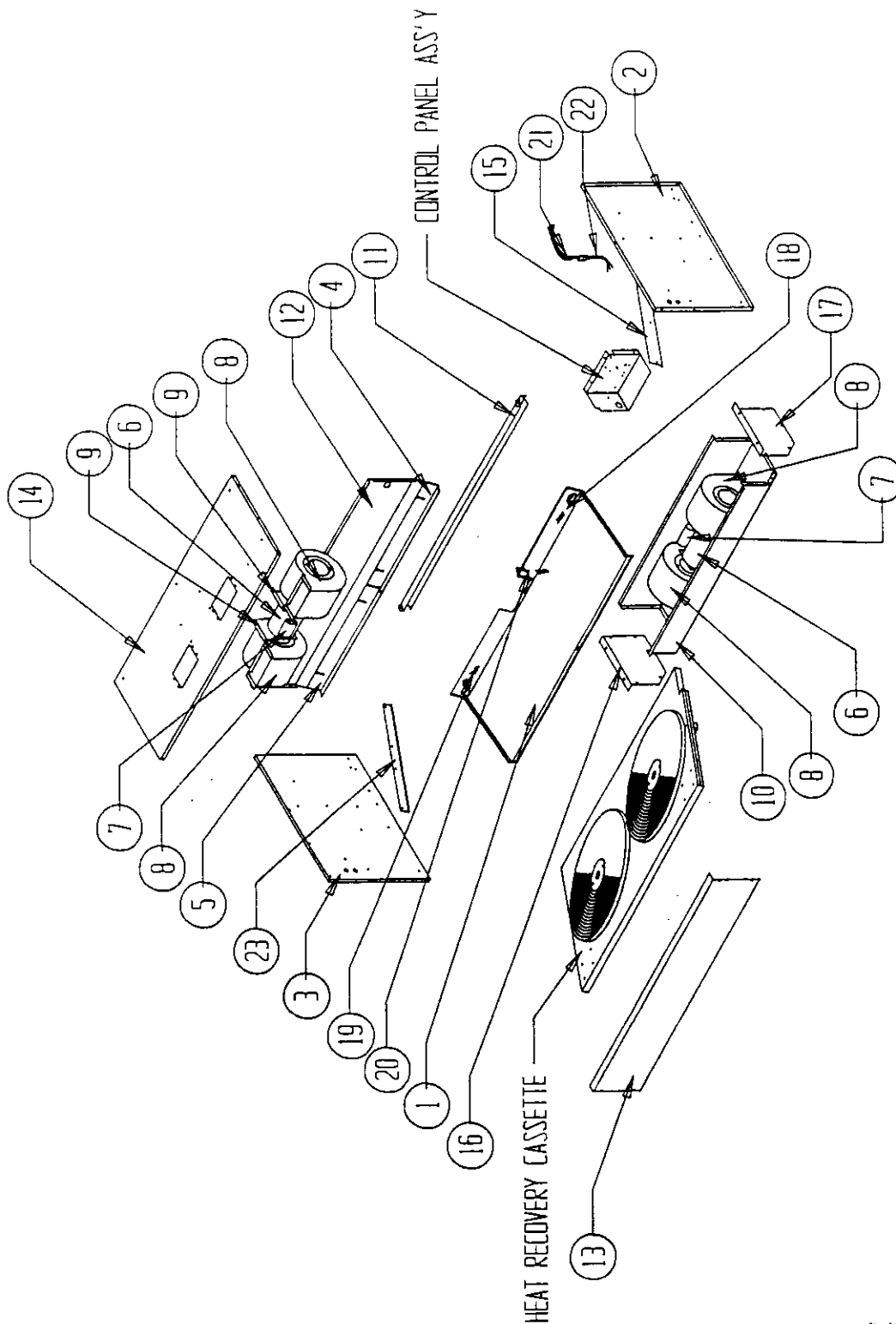
Page: 1
2110-659

FUNCTIONAL AND CABINET COMPONENTS

Dwg. No.	Part No.	Description	WERV-A3A	WERV-C3A
1	126-222	Base	x	x
2	100X285	Right End	x	x
3	100Y285	Left End	x	x
4	105-904	Right Adjustment Angle with Seal	x	x
5	105-905	Left Adjustment Angle with Seal	x	x
6	8101-011	Blower Motor	2	
6	8101-006	Blower Motor		2
7	8552-001	Blower Motor Capacitor	2	2
8	5152-074	Blower Housing and Wheel	4	4
9	128-018	Blower Motor Mount	4	4
10	520-276	Lower Partition Assembly	x	x
11	508-108	Back Assembly	x	x
12	520-242	Middle Partition Assembly	x	x
13	115-084	Front Assembly	x	x
14	506-147	Top Assembly	x	x
15	104-898	Slide Angle	2	2
16	3000-989	Wire Harness -- Right	x	x
17	3000-990	Wire Harness -- Left	x	x
18	3000-991	Wire Harness -- Unit	x	x
19	3000-992	Wire Harness -- WERV	x	x
	4056-140	Wiring Diagram	x	
	4056-300	Wiring Diagram		x

Date: 01-15-94
Supersedes: 07-20-93

FUNCTIONAL AND CABINET COMPONENTS



WERV-A5A
WERV-C5A

Date: 09-28-93
Supersedes: 07-20-93

2110-659
Page: 3

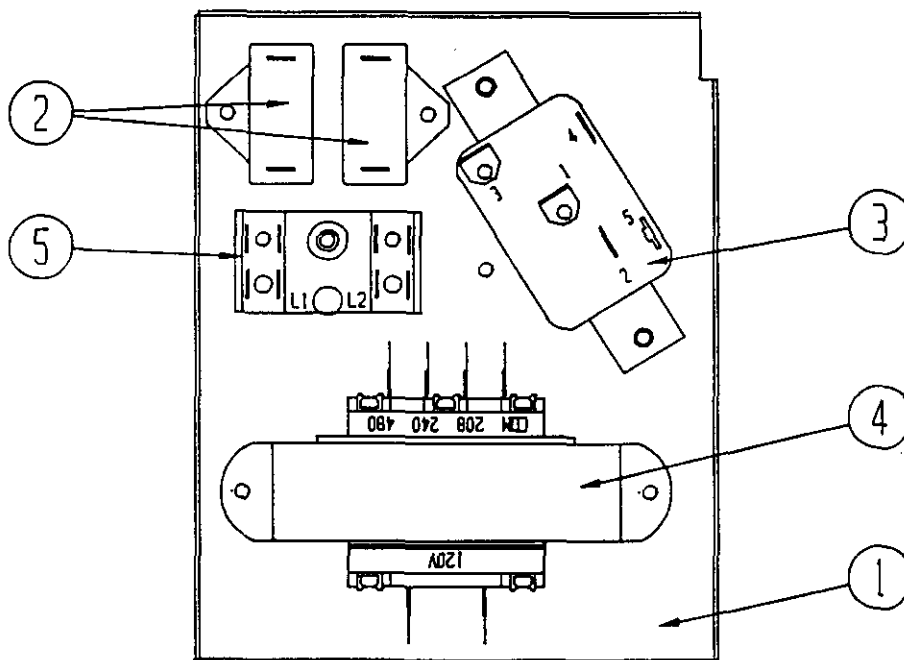
FUNCTIONAL AND CABINET COMPONENTS

Dwg. No.	Part No.	Description	WERV-A5A	WERV-C5A
1	526-226	Base	X	X
2	100X277	Right End	X	X
3	100Y277	Left End	X	X
4	104-914	Right Adjustment Angle with Seal	X	X
5	104-915	Left Adjustment Angle with Seal	X	X
6	8101-011	Blower Motor	2	
6	8101-006	Blower Motor		2
7	8552-001	Blower Motor Capacitor	2	2
8	5152-074	Blower Housing and Wheel	4	4
9	128-018	Blower Motor Mount	4	4
10	538-084	Wrapper Assembly	X	X
11	508-103	Back Assembly	X	X
12	520-259	Middle Partition Assembly	X	X
13	115-087	Front Assembly	X	X
14	506-149	Top Assembly	X	X
15	104-911	Right Slide Angle	2	2
16	500Y278	Left Wrapper End	X	X
17	500X278	Right Wrapper End	X	X
18	3000-1004	Wire Harness -- Right	X	X
19	3000-1005	Wire Harness -- Left	X	X
20	3000-1003	Wire Harness -- Unit	X	X
21	3000-1002	Wire Harness -- WERV	X	X
22	3000-1008	Wire Harness	X	X
23	104-912	Left Slide Angle	X	X
	4056-140	Wiring Diagram	X	
	4056-300	Wiring Diagram		X

Date: 09-28-93
 Supersedes: 07-20-93

CASSETTE COMPONENTS

Dwg. No.	Part No.	Description	WERV-A3A	WERV-C3A	WERV-A5A	WERV-C5A
1	5070-001	Cassette Assembly--Complete with Motors	X	X		
1	5070-002	Cassette Assembly--Complete with Motors			X	X
2	5070-004	Cassette Wheel	2	2		
2	5070-008	Cassette Wheel			2	2
3	5070-003	Cassette Motor	2	2	2	2
4	5070-005	Cassette Drive Belt	2	2		
4	5070-009	Cassette Belt			2	2
5	5070-006	Cassette Pulley	2	2		
5	5070-010	Cassette Pulley			2	2
6	5070-007	Cassette Hardware Kit (2 wheel shafts, nuts, washers)	X	X	X	X
7	5070-011	Cassette Idler Pulley			2	2

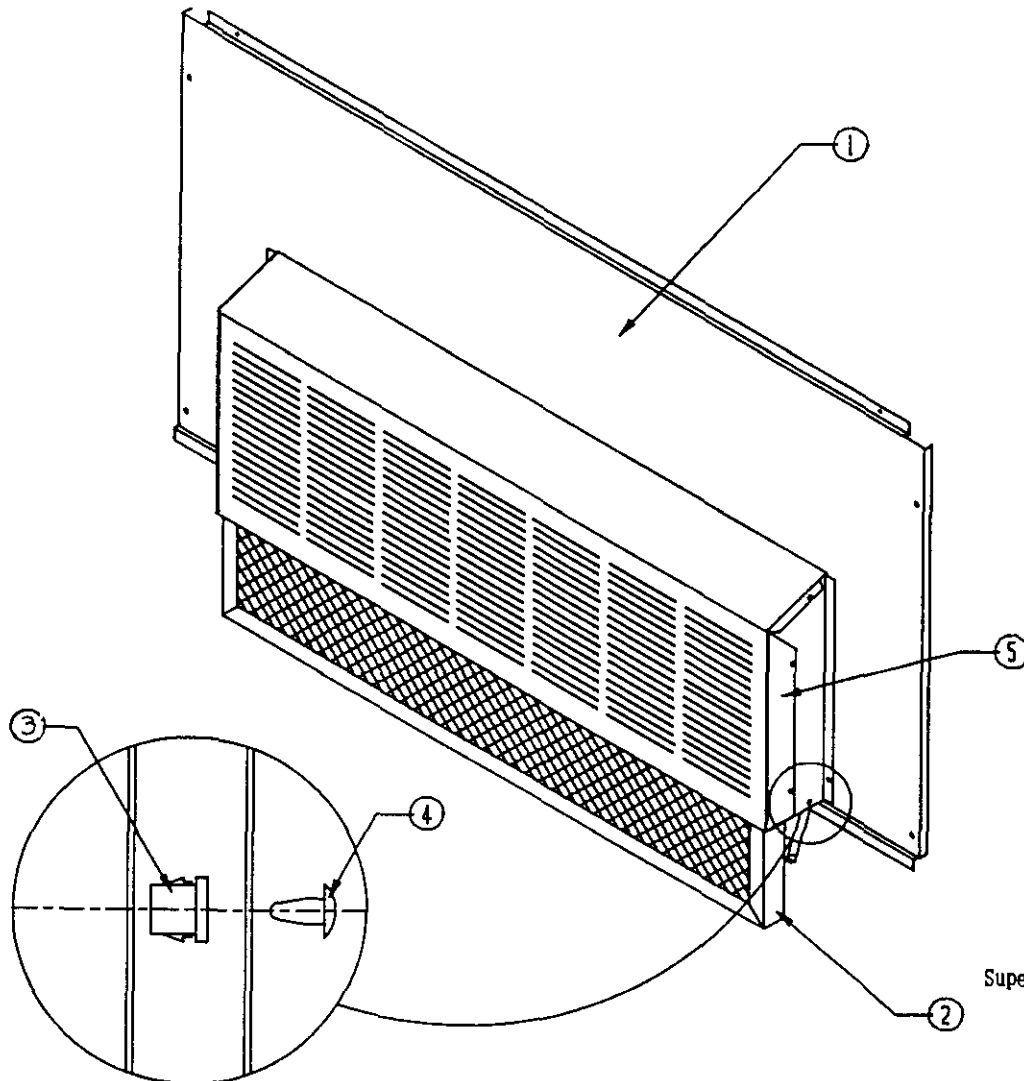


Date: 09-28-93
 Supersedes: 07-20-93

2110-659
 Page: 5

RAIN HOOD AND SERVICE DOOR

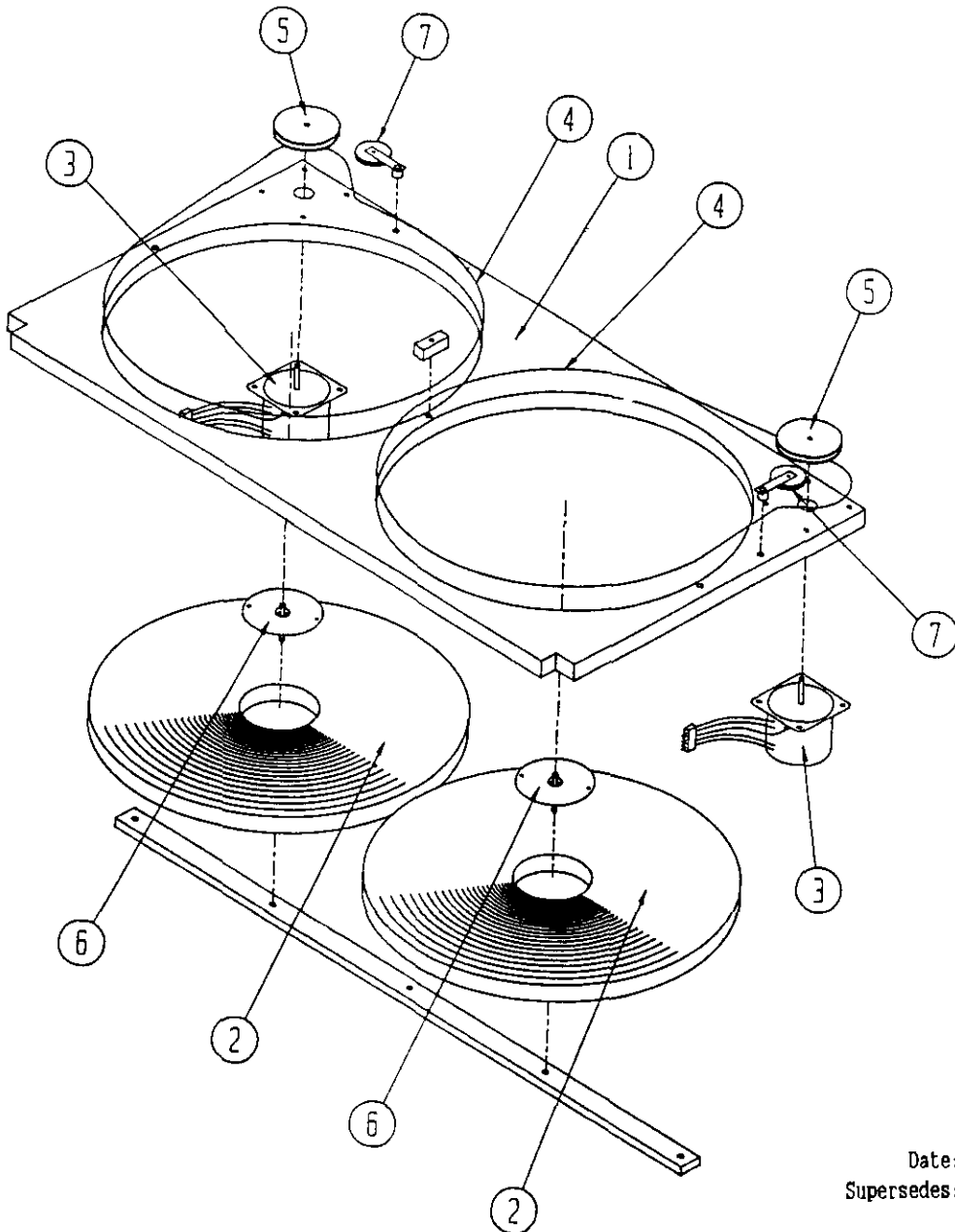
Dwg. No.	Part No.	Description	WERV-A3A	WERV-C3A	WERV-A5A	WERV-C5A
1	S552-229-*	Service Door	X	X		
1	S552-231-X	Service Door			X	X
2	7003-033	Mist Eliminator	X	X		
2	7003-035	Mist Eliminator			X	X
3	8611-057	Bushing	2	2	2	2
4	8611-059	Canoe Clip	2	2	2	2
5	962033	Beige Rain Hood Complete with Mist Eliminator	X	X		
5	962034	White Rain Hood Complete with Mist Eliminator	X	X		
5	962035	Mesa Tan Rain Hood Complete w/Mist Eliminator	X	X		
5	962036	Colonial White Rain Hood Complete w/Mist Eliminator	X	X		
5	962037	Buckeye Gray Rain Hood Complete w/Mist Eliminator	X	X		
5	962040	Beige Rain Hood Complete with Mist Eliminator			X	X
5	962041	White Rain Hood Complete with Mist Eliminator			X	X
5	962042	Mesa Tan Rain Hood Complete w/Mist Eliminator			X	X
5	962043	Colonial White Rain Hood Complete w/Mist Eliminator			X	X
5	962044	Buckeye Gray Rain Hood Complete w/Mist Eliminator			X	X



Date: 09-28-93
 Supersedes: 07-20-93

CONTROL PANEL

Dwg. No.	Part No.	Description	WERV-A3A	WERV-C3A	WERV-A5A	WERV-C5A
1	116-153	Control Panel	X	X		
1	116-158	Control Panel			X	X
2	8552-060	Cassette Motor Capacitor	2	2	2	2
3	8201-008	Blower Relay	X		X	
3	8201-032	Blower Relay		X		X
4	8407-043	Transformer	X	X	X	X
5	400-0087	Terminal Block	X	X	X	X



Date: 09-28-93
 Supersedes: 07-20-93