

REPLACEMENT PARTS MANUAL

WALL MOUNT ENERGY RECOVERY VENTILATOR

MODELS: WERV-A2A,
WERV-A3A, WERV-C3A
WERV-A5A, WERV-C5A

Manual 2110-659

Revision D

Date 05-29-94

Supersedes 01-17-94

* GENERAL NOTES *

*Revised and/or additional pages may be issued from time to time.
*A complete and current manual consists of pages dated as shown in the following index.

** INDEX **

<u>Page Description</u>	<u>Page</u>	<u>Date</u>	<u>Supersedes</u>
Functional & Cabinet Components--Exploded View	1	01-17-94	
" " " " --Usage List	2	05-29-94	01-17-94
Functional & Cabinet Components--Exploded View	3	07-20-93	
" " " " --Usage List	4	05-29-94	01-17-94
Functional & Cabinet Components--Exploded View	5	09-28-93	07-20-93
" " " " --Usage List	6	05-29-94	01-17-94
Cassette Components--Exploded View, Usage List	7	01-17-94	09-28-93
Rain Hood & Service Door--Exploded View, Usage List	8	01-17-94	09-28-93
Control Panel--Usage List and Exploded View	9	01-17-94	09-28-93
Blower Assembly--Usage List and Exploded View	10	05-29-94	

*** IMPORTANT ***

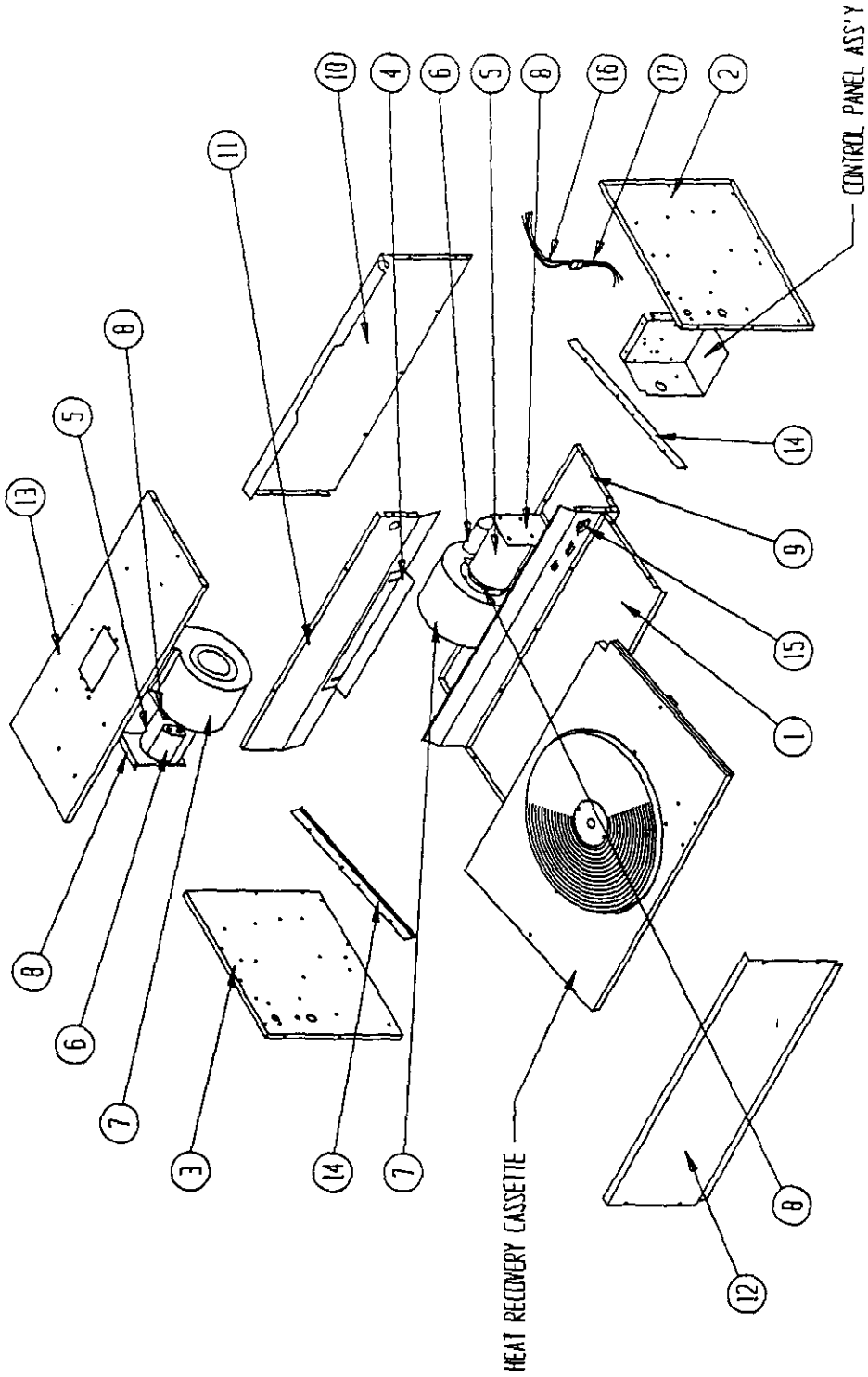
Contact the installing and/or local Bard distributor for all parts requirements. Make sure you have the complete model and serial number available from the unit rating plate.

BARD MANUFACTURING COMPANY

BRYAN, OHIO 43506

PATENT PENDING

FUNCTIONAL AND CABINET COMPONENTS



SEP-71

WERV-AZA

Date: 01-17-94
Supersedes:

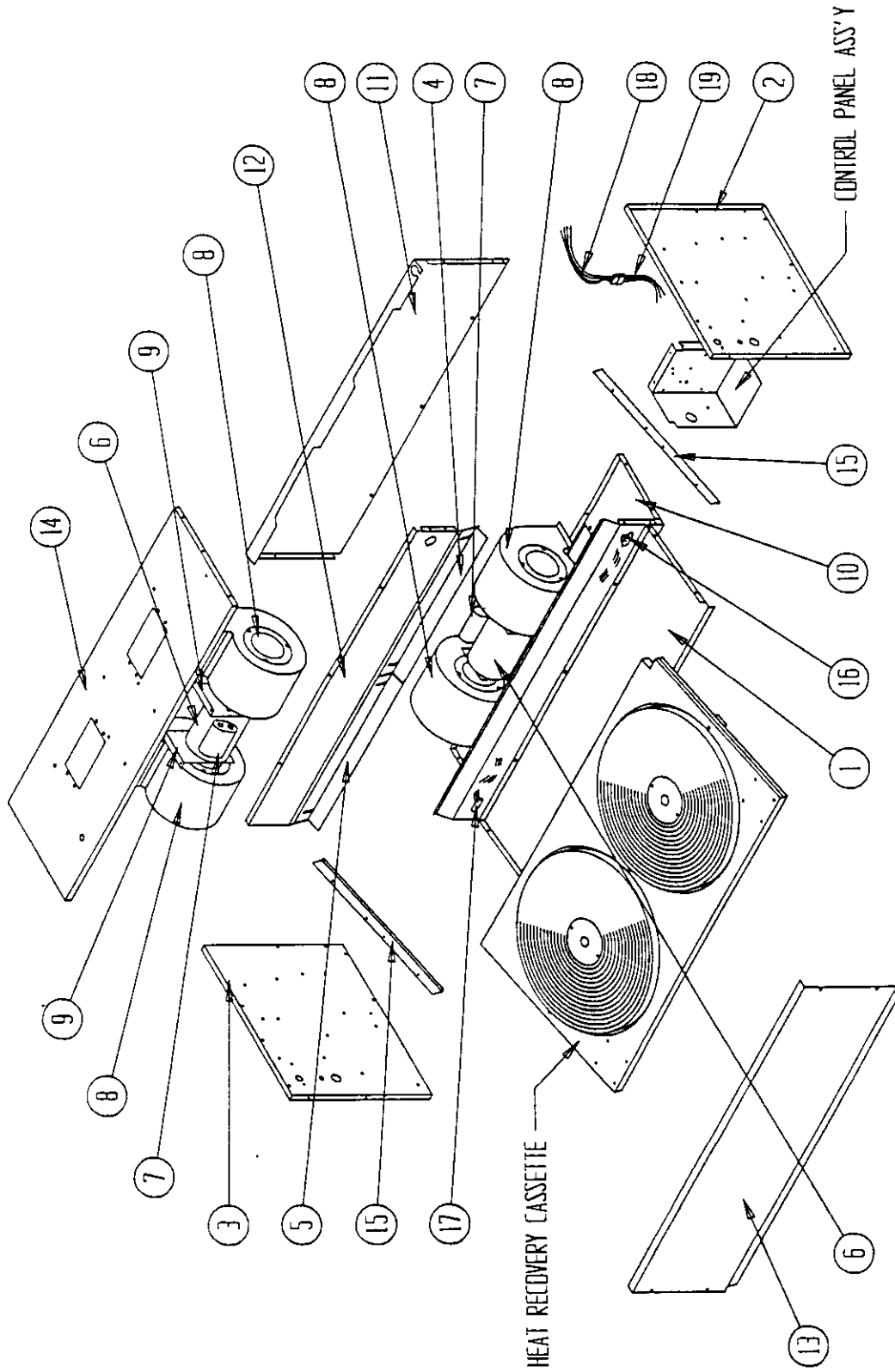
2110-659
Page: 1

FUNCTIONAL AND CABINET COMPONENTS

Dwg. No.	Part No.	Description	WERV-A2A
1	127-239	Base	X
2	500X285	Right End	X
3	500Y285	Left End	X
4	105-932	Adjustment Angle with Seal	X
5	8101-013	Blower Motor	2
6	8552-001	Blower Motor Capacitor	2
	Blower Housing & Wheel	See Blower Housng Assembly Drawing	2
8	129-018	Blower Motor Mount	4
9	520-275	Lower Partition Assembly	X
10	508-107	Back Assembly	X
11	520-274	Middle Partition Assembly	X
12	115-089	Front Assembly	X
13	506-155	Top Assembly	X
14	105-898	Slide Angle	2
15	3000-989	Wire Harness -- Right	X
16	3000-991	Wire Harness -- Unit	X
17	3000-992	Wire Harness -- WERV	X
	4056-160	Wiring Diagram	X

Date: 05-29-94
Supersedes: 01-17-94

FUNCTIONAL AND CABINET COMPONENTS



WERV-A3A
WERV-C3A

Date: 07-20-93
Supersedes:

2110-659
Page: 3

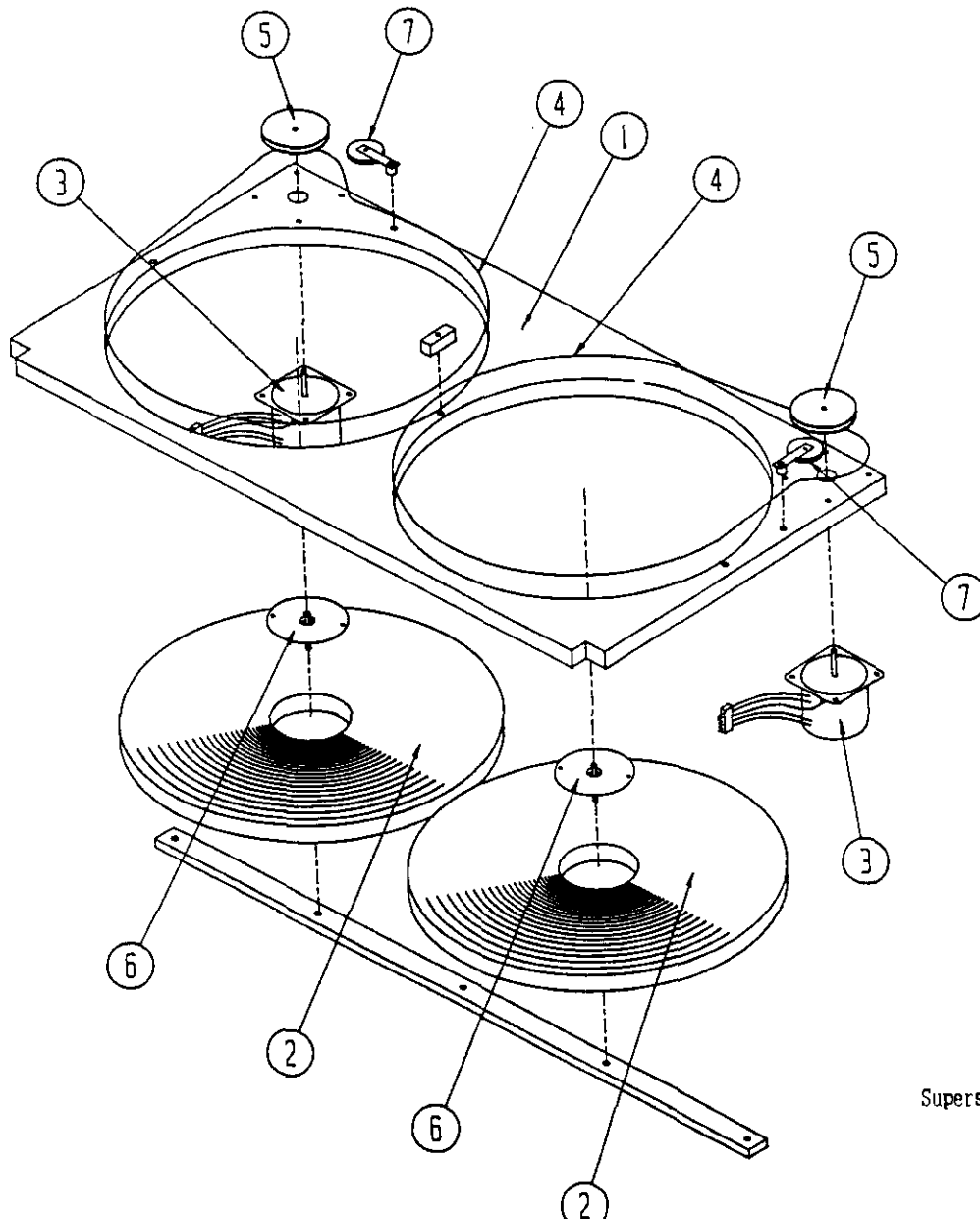
FUNCTIONAL AND CABINET COMPONENTS

Dwg. No.	Part No.	Description	WERV-A3A	WERV-C3A
1	127-222	Base	x	x
2	500X285	Right End	x	x
3	500Y285	Left End	x	x
4	105-904	Right Adjustment Angle with Seal	x	x
5	105-905	Left Adjustment Angle with Seal	x	x
6	8101-011	Blower Motor	2	
6	8101-006	Blower Motor		2
7	8552-001	Blower Motor Capacitor	2	2
	Blower Housing & Wheel	See Blower Housing Assembly Drawing	4	4
9	129-018	Blower Motor Mount	4	4
10	520-276	Lower Partition Assembly	x	x
11	508-108	Back Assembly	x	x
12	520-242	Middle Partition Assembly	x	x
13	115-084	Front Assembly	x	x
14	506-147	Top Assembly	x	x
15	105-898	Slide Angle	2	2
16	3000-989	Wire Harness -- Right	x	x
17	3000-990	Wire Harness -- Left	x	x
18	3000-991	Wire Harness -- Unit	x	x
19	3000-992	Wire Harness -- WERV	x	x
	4056-140	Wiring Diagram	x	
	4056-300	Wiring Diagram		x

Date: 06-29-94
Supersedes: 01-17-94

CASSETTE COMPONENTS

Dwg. No.	Part No.	Description	WERV-A2A	WERV-A3A	WERV-C3A	WERV-A5A	WERV-C5A
1	5070-001	Cassette Assembly--Complete with Motors		x	x		
1	5070-002	Cassette Assembly--Complete with Motors				x	x
1	5070-012	Cassette Assembly--Complete with Motors	x				
2	5070-004	Cassette Wheel	1	2	2		
2	5070-008	Cassette Wheel				2	2
3	5070-003	Cassette Motor	1	2	2	2	2
4	5070-005	Cassette Drive Belt	1	2	2		
4	5070-009	Cassette Belt				2	2
5	5070-006	Cassette Pulley	1	2	2		
5	5070-010	Cassette Pulley				2	2
6	5070-007	Cassette Hardware Kit (2 wheel shafts, nuts, washers)	x	x	x	x	x
7	5070-011	Cassette Idler Pulley				2	2



Date: 01-17-94
 Supersedes: 09-28-97