

REPLACEMENT PARTS MANUAL

WALL MOUNT ENERGY RECOVERY VENTILATOR

MODELS: WERV-A3A, WERV-C3A

Manual 2110-659

Revision

Date 07-20-93

Supersedes

* GENERAL NOTES *

*Revised and/or additional pages may be issued from time to time.
*A complete and current manual consists of pages dated as shown in the following index.

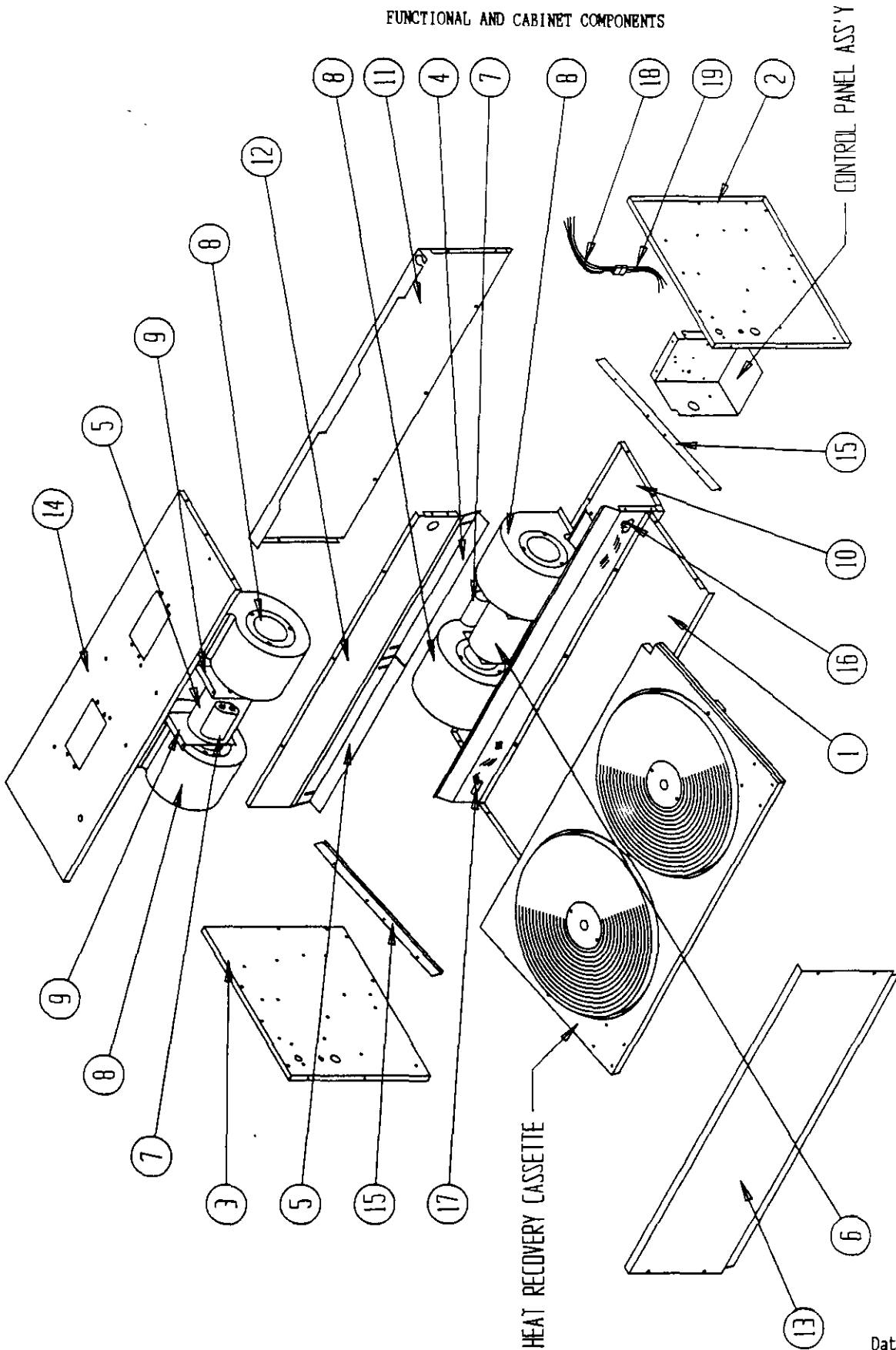
** INDEX **

<u>Page Description</u>	<u>Page</u>	<u>Date</u>	<u>Supersedes</u>
Functional and Cabinet Components--Exploded View	1	07-20-93	
" " " " --Usage List	2	07-20-93	
Cassette Components--Exploded View	3	07-20-93	
" " --Usage List	4	07-20-93	
Rain Hood & Service Door--Exploded View, Usage List	5	07-20-93	
Control Panel--Usage List and Exploded View	6	07-20-93	

*** IMPORTANT ***

Contact the installing and/or local Bard distributor for all parts requirements. Make sure you have the complete model and serial number available from the unit rating plate.

FUNCTIONAL AND CABINET COMPONENTS



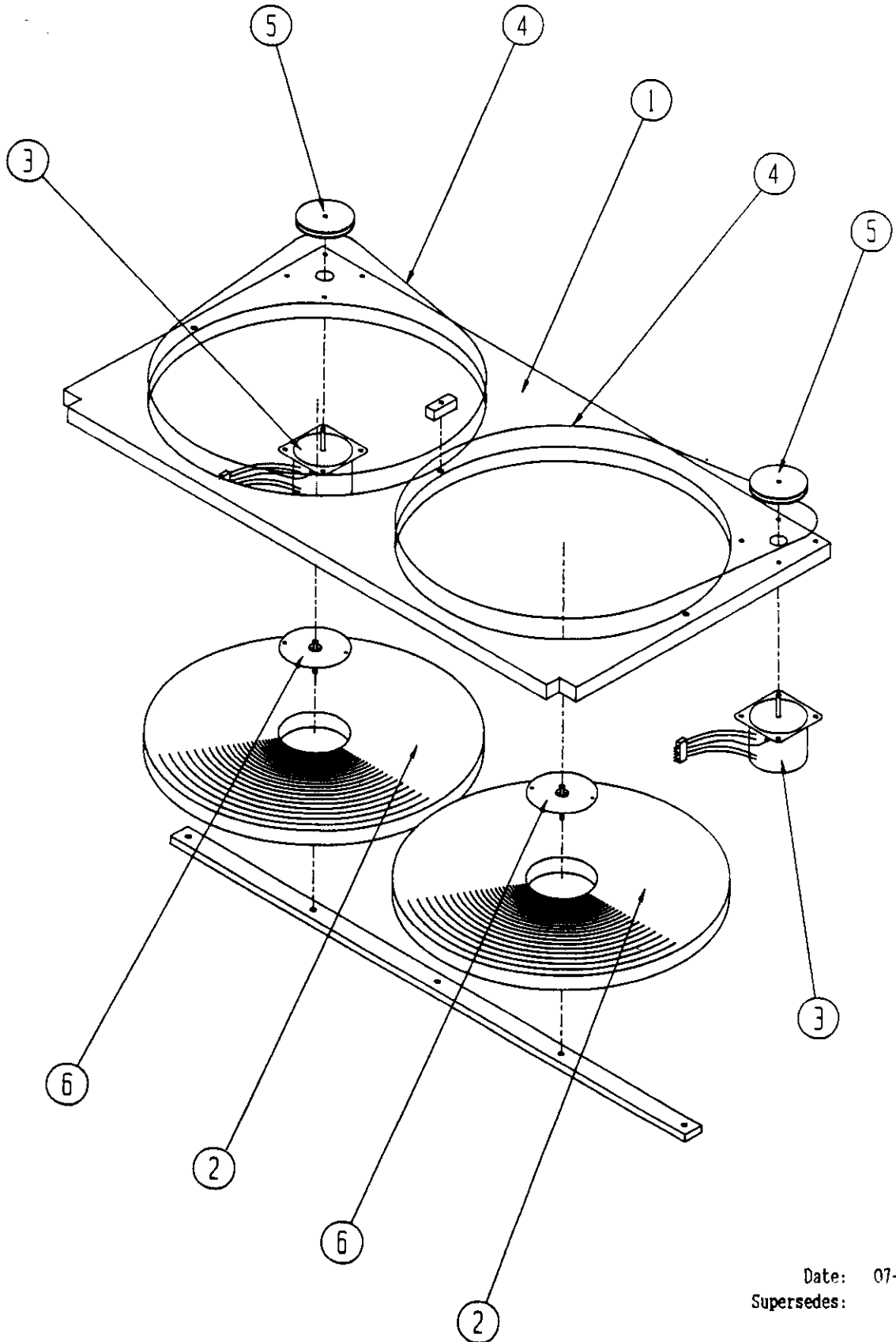
Date: 07-20-93
Supersedes:

FUNCTIONAL AND CABINET COMPONENTS

Dwg. No.	Part No.	Description	WERV-A3A	WERV-C3A
1	126-222	Base	X	X
2	100X273	Right End	X	X
3	100Y273	Left End	X	X
4	105-904	Right Adjustment Angle with Seal	X	X
5	105-905	Left Adjustment Angle with Seal	X	X
6	8101-011	Blower Motor	2	
6	8101-006	Blower Motor		2
7	8552-001	Blower Motor Capacitor	2	2
8	5152-074	Blower Housing and Wheel	4	4
9	128-018	Blower Motor Mount	4	4
10	520-241	Lower Partition Assembly	X	X
11	508-101	Back Assembly	X	X
12	520-242	Middle Partition Assembly	X	X
13	115-084	Front Assembly	X	X
14	506-147	Top Assembly	X	X
15	104-898	Slide Angle	2	2
16	3000-989	Wire Harness -- Right	X	X
17	3000-990	Wire Harness -- Left	X	X
18	3000-991	Wire Harness -- Unit	X	X
19	3000-992	Wire Harness -- WERV	X	X
	4056-140	Wiring Diagram	X	
	4056-300	Wiring Diagram		X

Date: 07-20-93
Supersedes:

CASSETTE COMPONENTS



Date: 07-20-93
Supersedes:

2110-659
Page: 3

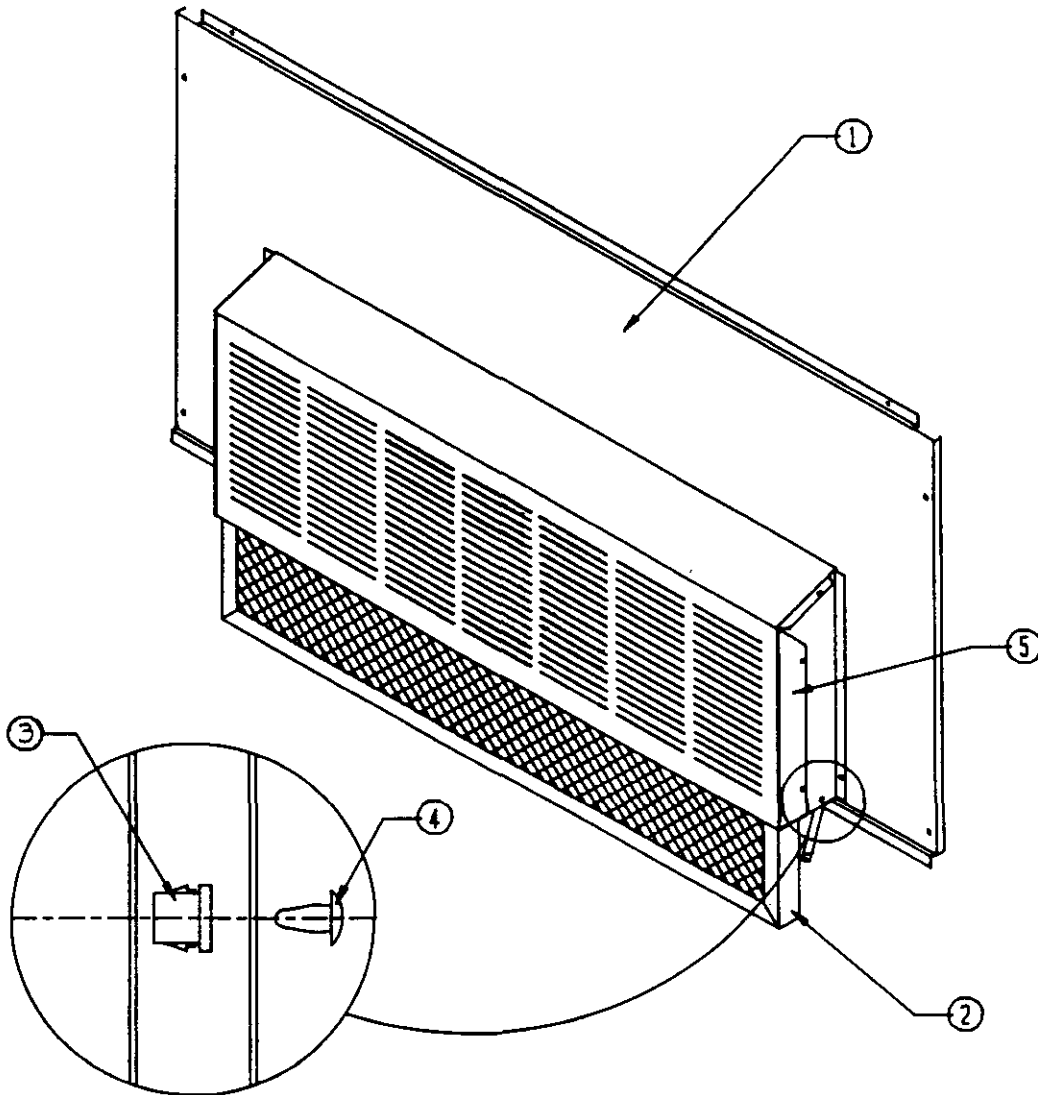
CASSETTE COMPONENTS

Dwg. No.	Part No.	Description	WERV-A3A	WERV-C3A
1	5070-001	Cassette Assembly--Complete with Motors	x	x
2	5070-004	Cassette Wheel	2	2
3	5070-003	Cassette Motor	2	2
4	5070-005	Cassette Drive Belt	x	x
5	5070-006	Cassette Pulley	x	x
6	5070-007	Cassette Hardware Kit (2 wheel shafts, nuts, washers)	2	2

Date: 07-20-93
Supersedes:

RAIN HOOD AND SERVICE DOOR

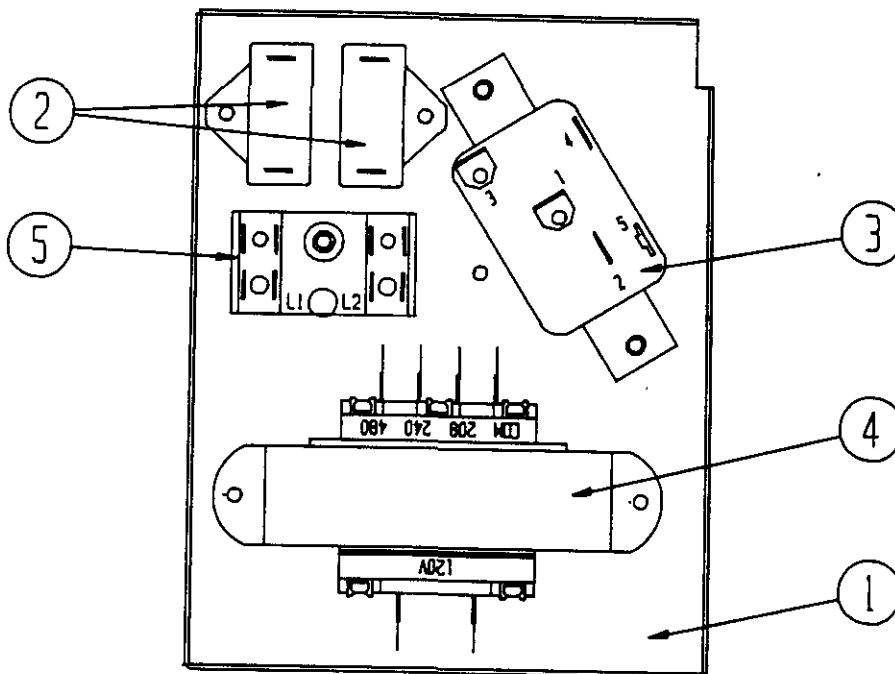
Dwg. No.	Part No.	Description	WERV-A3A	WERV-C3A
1	S552-229-*	Service Door	X	X
2	7003-033	Mist Eliminator	X	X
3	8611-057	Bushing	2	2
4	8611-059	Canoe Clip	2	2
5	962033	Beige Rain Hood Complete with Mist Eliminator	X	X
5	962034	White Rain Hood Complete with Mist Eliminator	X	X
5	962035	Mesa Tan Rain Hood Complete w/Mist Eliminator	X	X
5	962036	Colonial White Rain Hood Complete w/Mist Eliminator	X	X
5	962037	Buckeye Gray Rain Hood Complete w/Mist Eliminator	X	X



Date: 07-20-93
Supersedes:

CONTROL PANEL

Dwg. No.	Part No.	Description	WERV-A3A	WERV-C3A
1	116-153	Control Panel	X	X
2	8552-060	Cassette Motor Capacitor	2	2
3	8201-008	Blower Relay	X	
3	8201-032	Blower Relay		X
4	8407-043	Transformer	X	X
5	400-0087	Terminal Block	X	X



Date: 07-20-93
 Supersedes:

