

REPLACEMENT PARTS MANUAL

ECONOMIZER
MODEL: EIFM-1

Manual 2110-660 Revision A Date 01-24-94 Supersedes 10-28-93

* GENERAL NOTES *

*Revised and/or additional pages may be issued from time to time.
*A complete and current manual consists of pages dated as shown in the following index.

** INDEX **

<u>Page Description</u>	<u>Page</u>	<u>Date</u>	<u>Supersedes</u>
Functional and Cabinet Components--Exploded View	1	10-28-93	
" " " " --Exploded View	2	10-28-93	
" " " " --Usage List	2	01-20-94	10-28-93

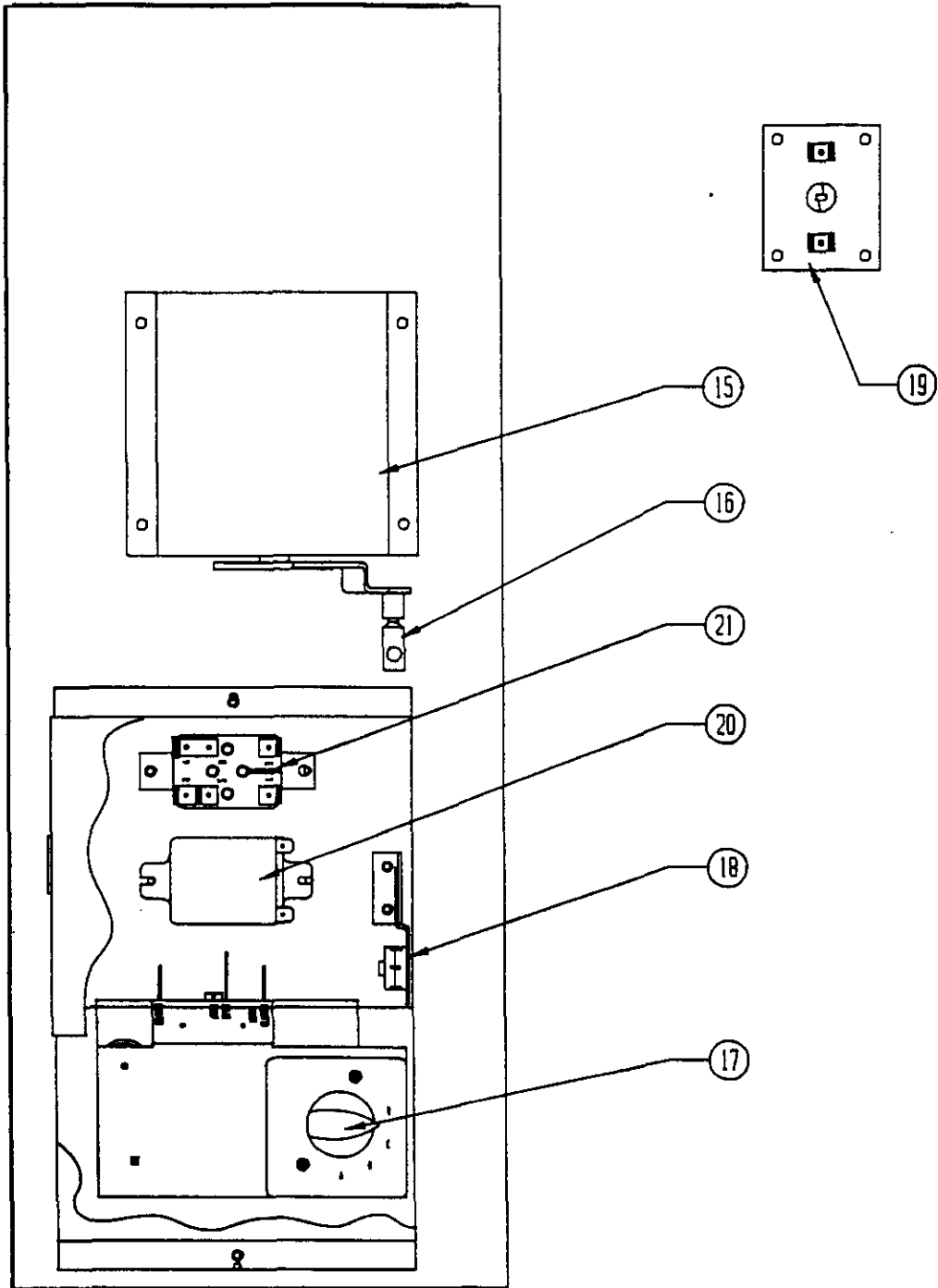
*** IMPORTANT ***

Contact the installing and/or local Bard distributor for all parts requirements. Make sure you have the complete model and serial number available from the unit rating plate.

BARD MANUFACTURING COMPANY

BRYAN, OHIO 43506

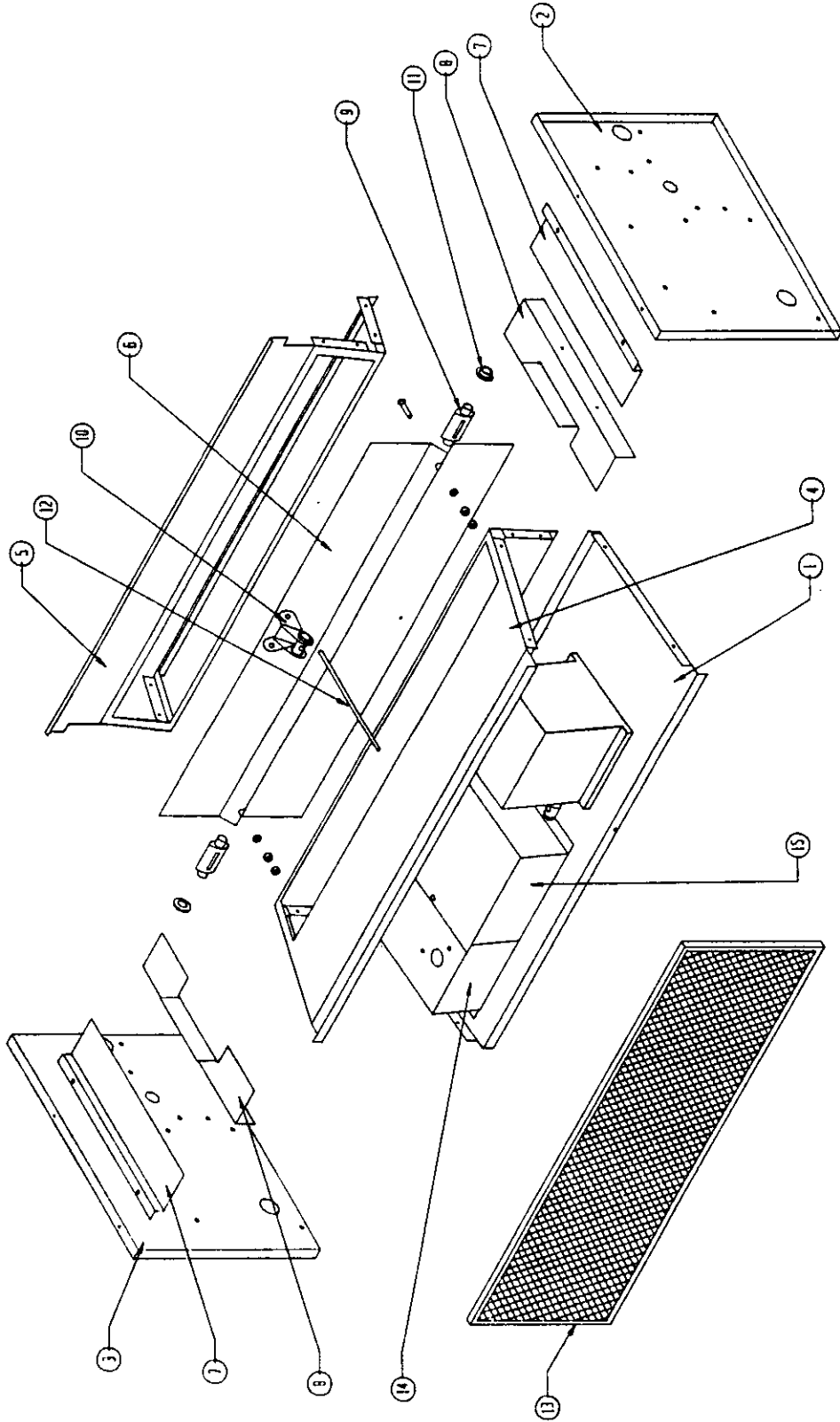
FUNCTIONAL AND CABINET COMPONENTS



Date: 10-28-93
Supersedes:

2110-660
Page: 1

FUNCTIONAL AND CABINET COMPONENTS



Date: 10-28-93
Supersedes:

2110-660
Page: 2

FUNCTIONAL AND CABINET COMPONENTS

Dwg. No.	Part No.	Description	EIEM-1
1	126-231	Base	X
2	100X281	Right End	X
3	100Y281	Left End	X
4	136-270	Front Partition	X
5	136-271	Back Partition	X
6	138-089	Damper Blade	X
7	8602-038	Damper Blade Pin	X
8	8602-040	Bracket	X
9	8602-039	Bronze Bushing	X
10	8602-042	Rod	X
11	7003-039	Mist Eliminator	X
12	117-140	Control Panel Base	X
13	133-111	Control Panel Cover	X
14	131-095	Filter Stop	X
15	8602-037	Damper Motor	X
16	8602-008	Ball Joint	X
17	8602-025	Enthalpy Control	X
18	8602-019	Potentiometer	X
19	8602-018	Thermistor	X
20	8201-048	Control Relay 1	X
21	8201-062	Control Relay 2	X
	4096-150	Wiring Diagram	X

Date: 01-20-94
 Supersedes: 10-28-93