
Replacement Parts Manual

Economizer

Models: EIFM-1 and EIFM-1A

General Notes

- Revised and/or additional pages may be issued from time to time.
- A complete and current manual consists of pages shown in the following contents section.

Contents

Description	Page
Functional and Cabinet Components	
♦ Exploded View	1
♦ Exploded View	2
♦ Usage List	2

Important

- Contact the installing and/or local Bard distributor for all parts requirements. Make sure you have the complete model and serial number available from the unit rating plates.

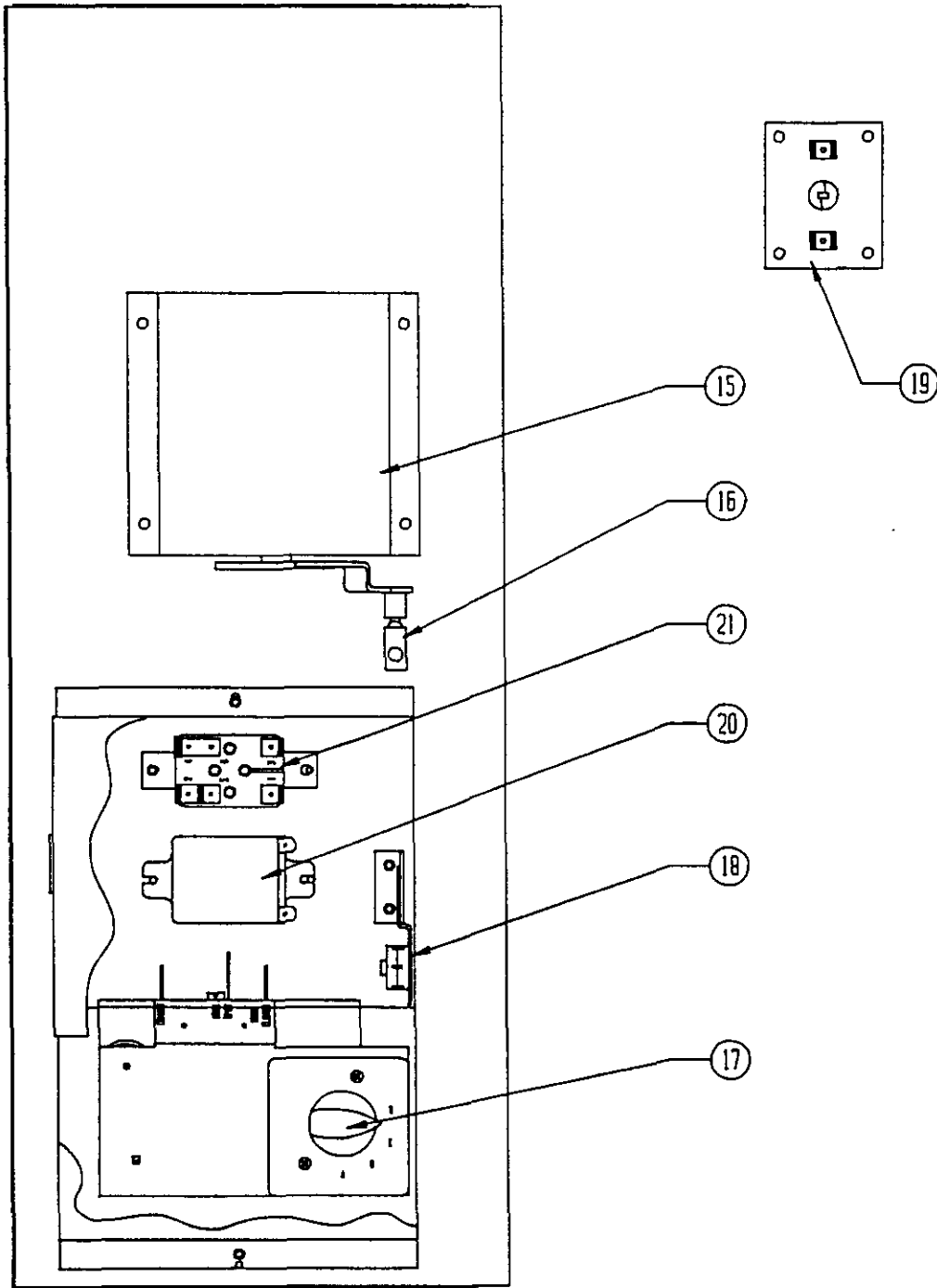


BARD MANUFACTURING COMPANY
Bryan, Ohio 43506

Since 1914...Moving ahead, just as planned.

Manual: 2110-660B
Date: 08-01-96

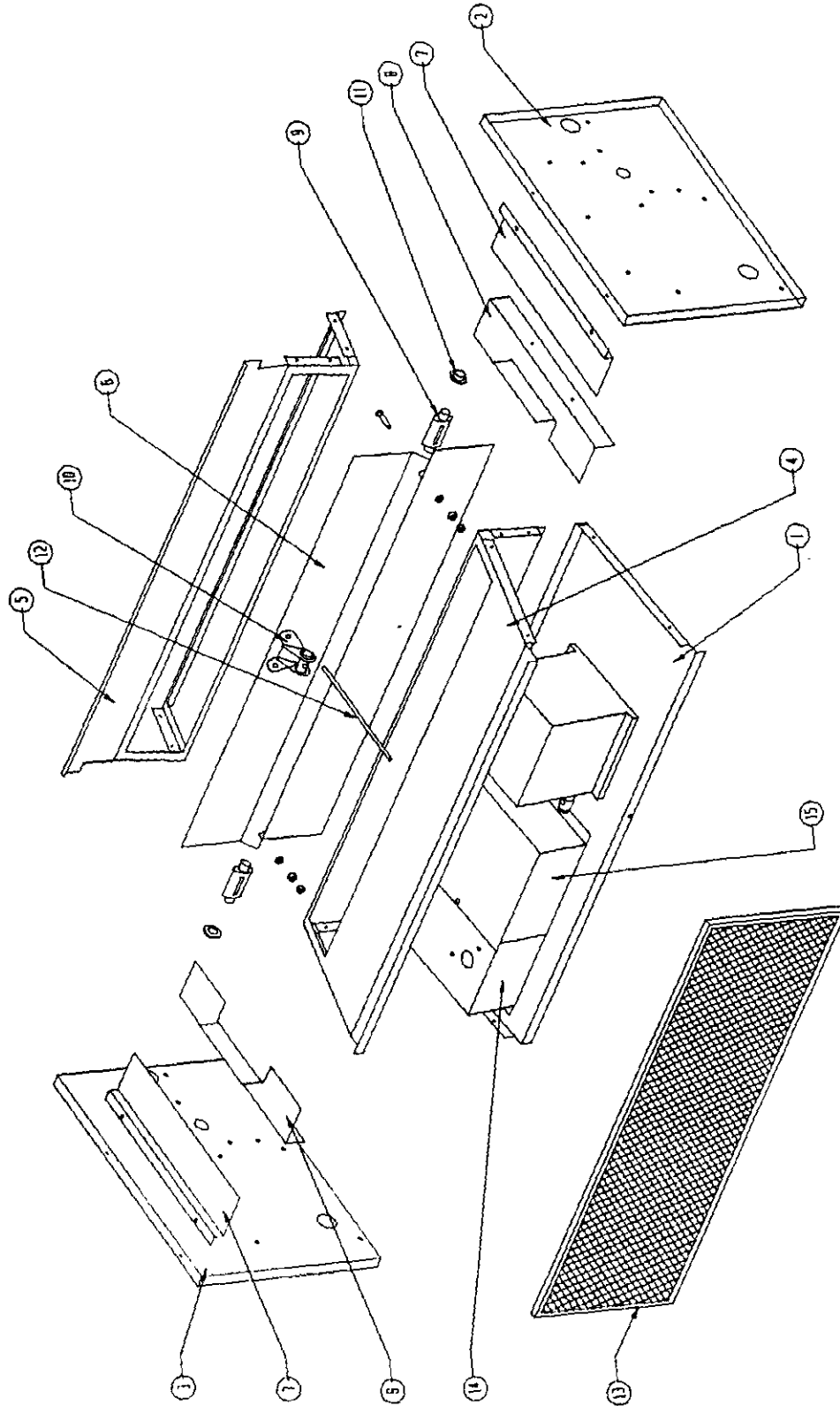
FUNCTIONAL AND CABINET COMPONENTS



Date: 10-28-93
Supersedes:

2110-660
Page: 1

FUNCTIONAL AND CABINET COMPONENTS



Date: 10-28-93
Supersedes:
2110-660
Page: 2

FUNCTIONAL AND CABINET COMPONENTS

Dwg. No.	Part No.	Description	EIFM-1
1	126-231	Base	X
2	100X281	Right End	X
3	100Y281	Left End	X
4	136-270	Front Partition	X
5	136-271	Back Partition	X
6	138-089	Damper Blade	X
7	8602-038	Damper Blade Pin	X
8	8602-040	Bracket	X
9	8602-039	Bronze Bushing	X
10	8602-042	Rod	X
11	7003-039	Mist Eliminator	X
12	117-140	Control Panel Base	X
13	133-111	Control Panel Cover	X
14	131-095	Filter Stop	X
15	8602-037	Damper Motor	X
16	8602-008	Ball Joint	X
17	8602-025	Enthalpy Control	X
18	8602-019	Potentiometer	X
19	8602-018	Thermistor	X
20	8201-048	Control Relay 1	X
21	8201-062	Control Relay 2	X
	4096-150	Wiring Diagram	X

Date: 01-20-94
 Supersedes: 10-28-93