

---

# Replacement Parts Manual

# ECONOMIZER

Models: EDFM-2, EDFM-3,  
EDFM-5

---

## General Notes

- Revised and/or additional pages may be issued from time to time.
- A complete and current manual consists of pages shown in the following contents section.

## Important

- Contact the installing and/or local Bard distributor for all parts requirements. Make sure you have the complete model and serial number available from the unit rating plates.

## Contents

Description	Page
Functional and Cabinet Components	
◆ Exploded View .....	1
◆ Exploded View .....	2
◆ Exploded View .....	3
◆ Usage List .....	4

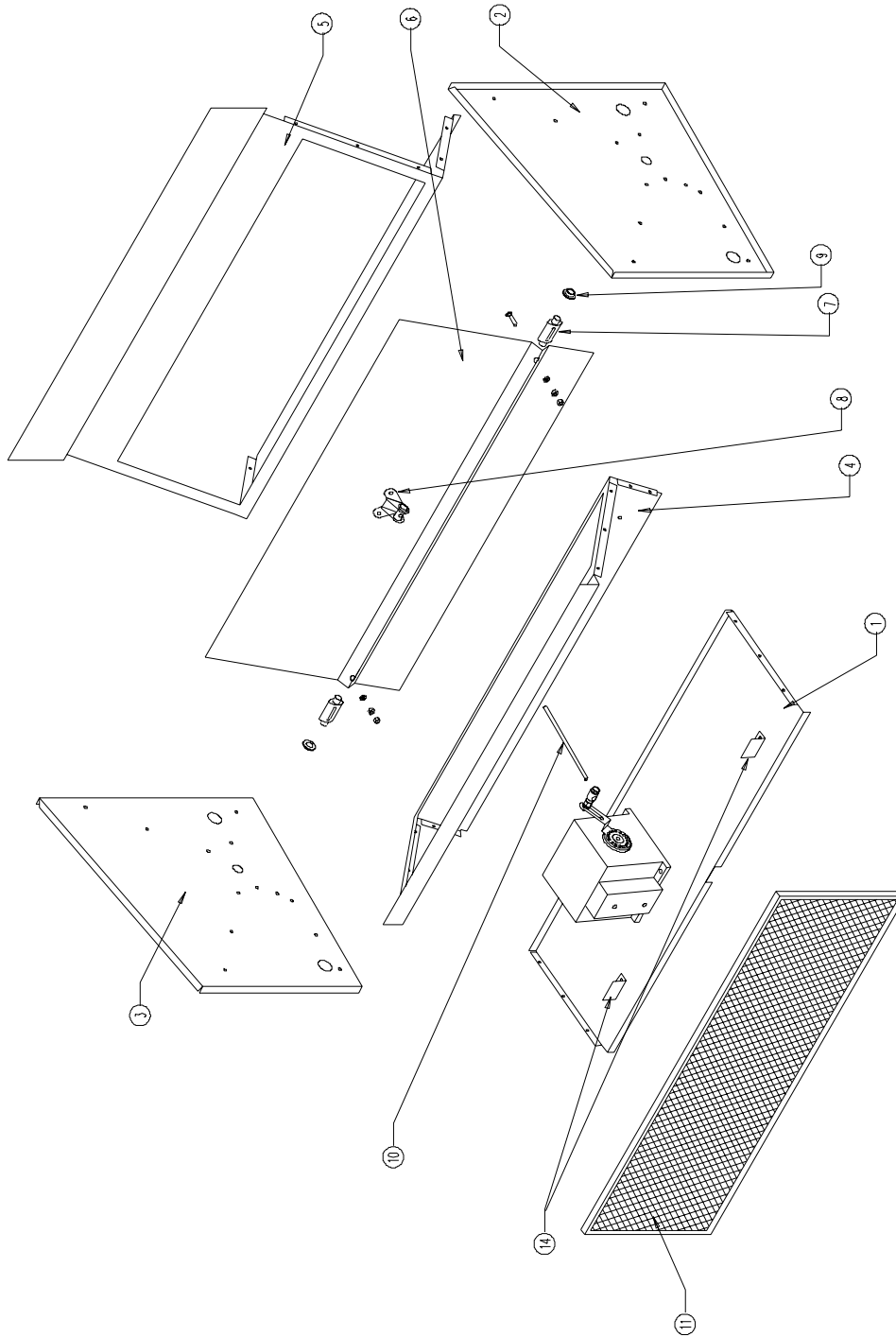


**BARD MANUFACTURING COMPANY**  
Bryan, Ohio 43506

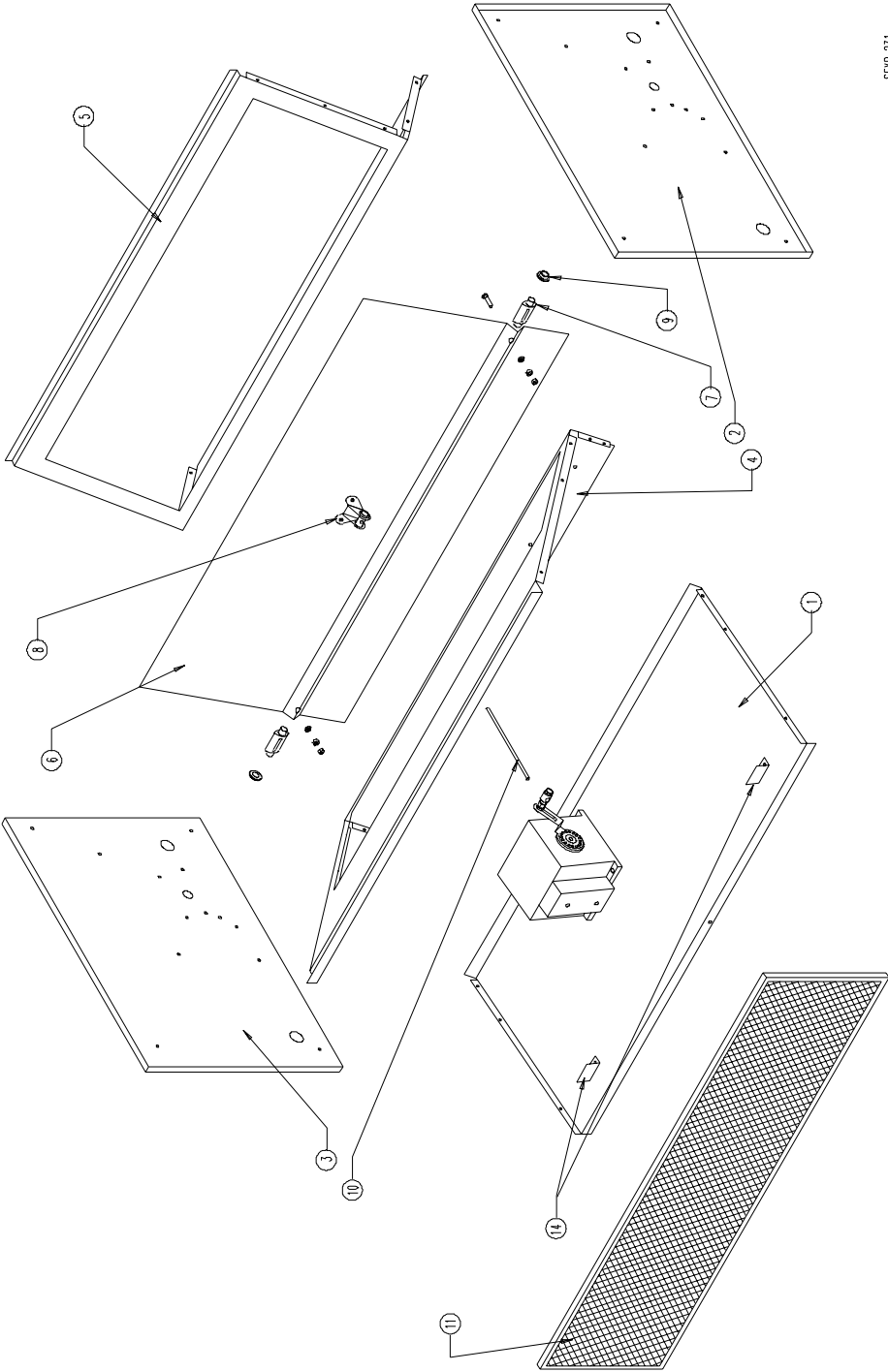
*Since 1914...Moving ahead, just as planned.*

Manual: 2110-662  
Volume: III Tab19  
Date: 01/21/97

# EDFM-2, EDFM-3 Functional and Cabinet Components



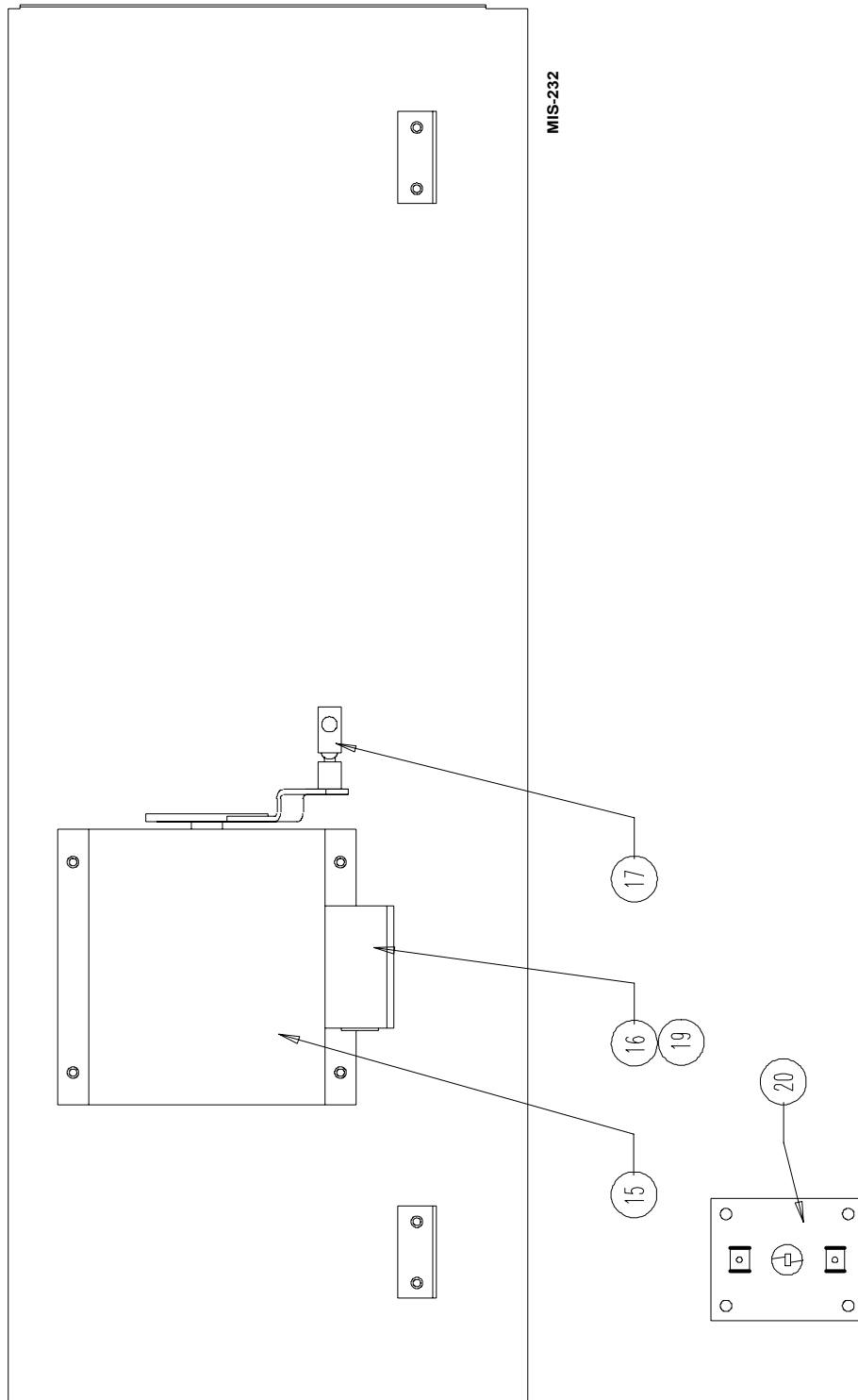
# EDFM-5 Functional and Cabinet Components



SEP-231

# Functional and Cabinet Components

---



# Functional and Cabinet Components

Dwg. No.	Part No.	Description	EDFM - 2	EDFM - 3	EDFM - 5	
1	127-213	Base	X			
1	127-212	Base		X		
1	127-215	Base			X	
2	100X245	Right End	X	X		
2	100X263	Right End			X	
3	100Y245	Left End	X	X		
3	100Y263	Left End			X	
4	137-218	Rear Fill			X	
4	137-178	Rear Fill		X		
4	137-188	Rear Fill	X			
5	137-217	Return Fill			X	
5	137-179	Return Fill		X		
5	137-188	Return Fill	X			
6	139-067	Damper Blade			X	
6	139-053	Damper Blade		X		
6	139-054	Damper Blade	X			
7	8602-038	Damper Blade Pin	X	X	X	
8	8602-040	Bracket	X	X	X	
9	8602-039	Bronze Bushing	X	X	X	
10	8602-042	Rod	X	X	X	
11	7003-033	Mist Eliminator		X		
11	7003-034	Mist Eliminator	X			
11	7003-035	Mist Eliminator			X	
14	131-095	Filter Stop	2	2	2	
15	8602-037	Damper Motor	X	X	X	
16	8602-041	Terminal Cover	X	X	X	
17	8602-008	Ball Joint	X	X	X	
19	8602-019	Potentiometer	X	X	X	
20	8602-018	Thermistor	X	X	X	
	4056-151	Wiring Diagram	X	X	X	

NS – Not Shown

① – Optional on these models