
REPLACEMENT PARTS MANUAL

DIRECT DIGITAL CONTROLLER

Models: **TCS20**
TCS21

General Notes

- Revised and/or additional pages may be issued from time to time.
- A complete and current manual consists of pages shown in the following contents section.

Contents

Description	Page
Functional	
♦ Exploded View	1
Cabinet Components – TSC20	
♦ Exploded View	2
Cabinet Components – TSC21	
♦ Exploded View	3
Functional and Cabinet Components – TSC20	
♦ Usage List	4
Functional and Cabinet Components – TSC21	
♦ Usage List	5

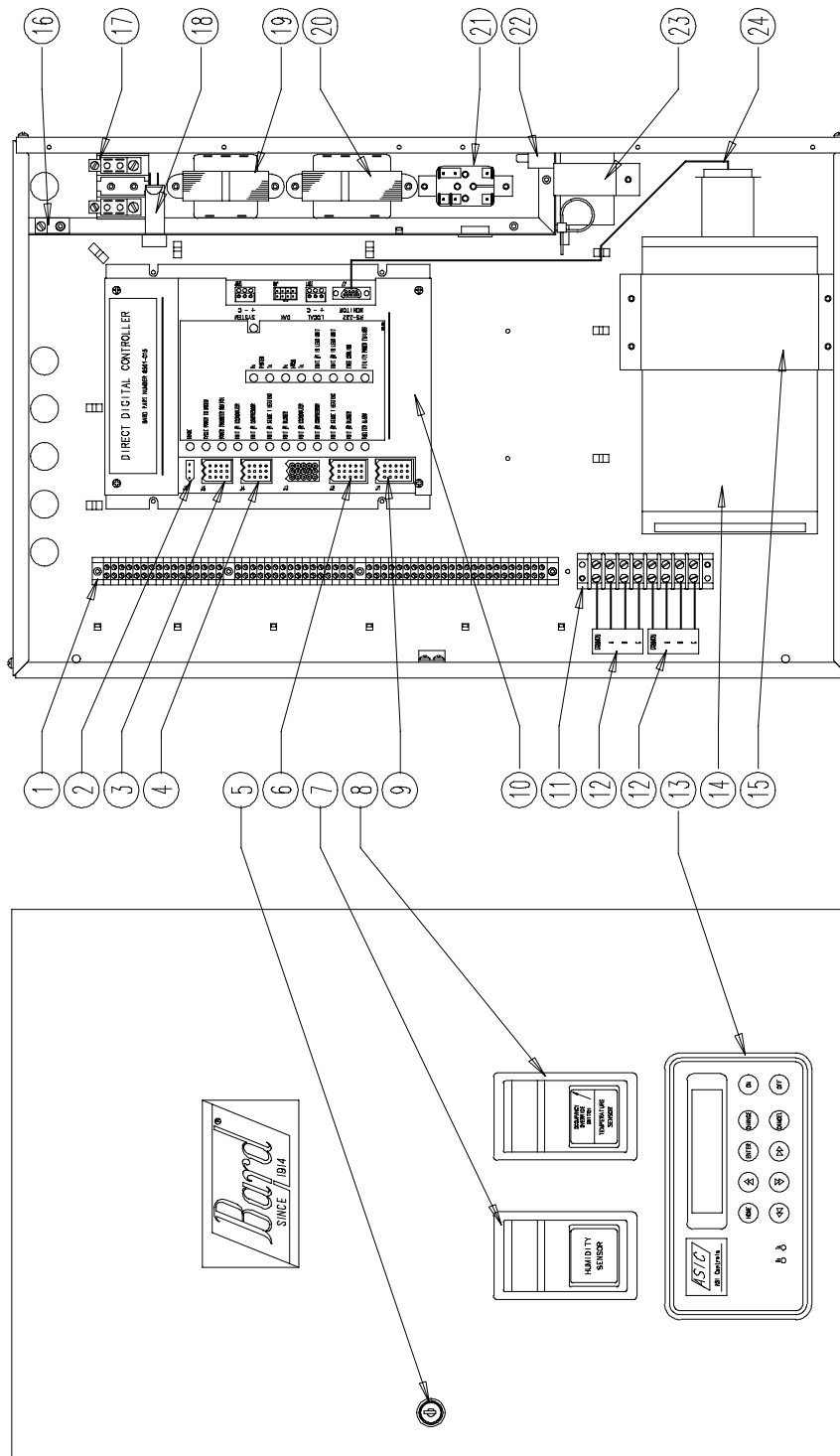


Bard Manufacturing Company, Inc.
Bryan, Ohio 43506
Since 1914...Moving ahead, just as planned.

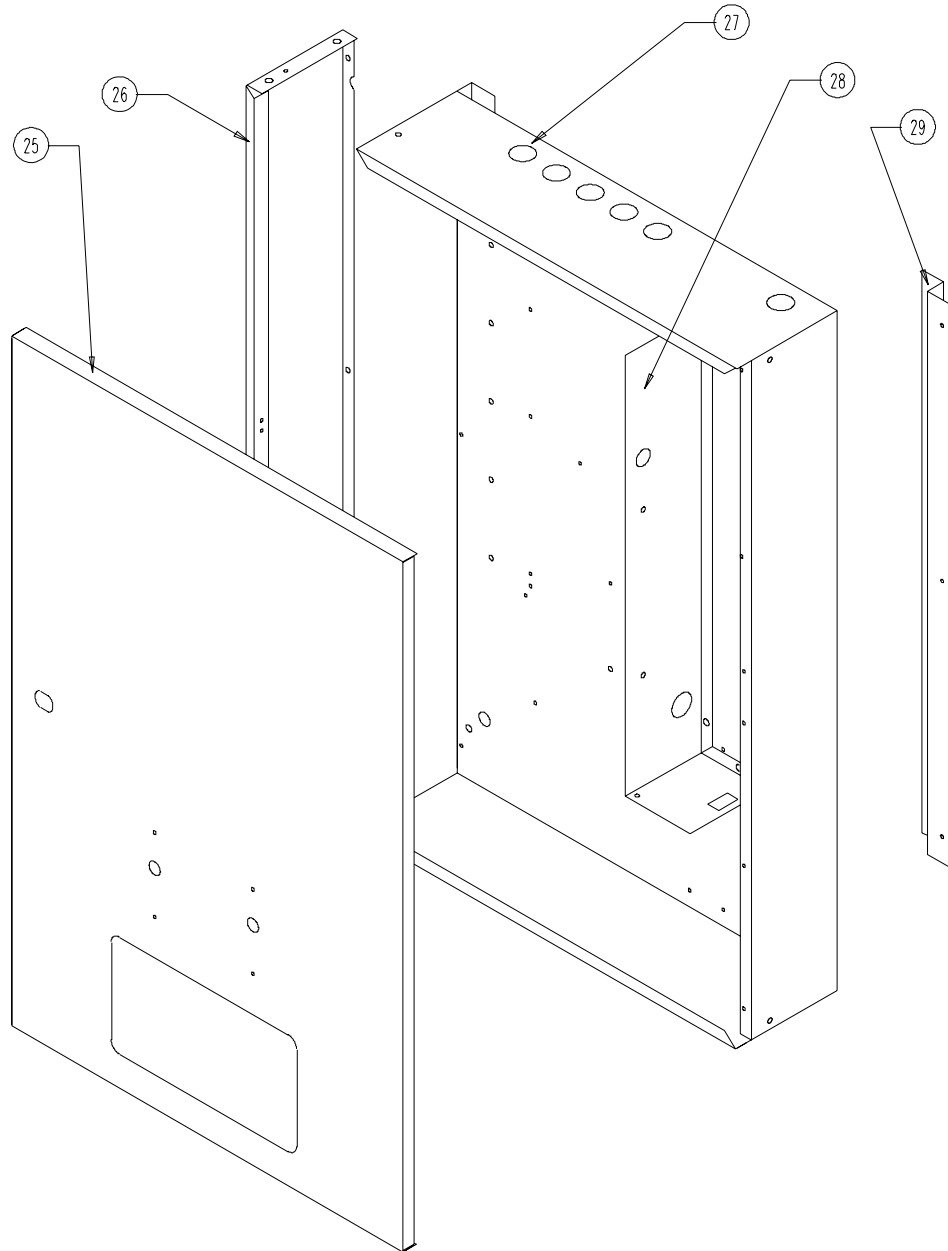
Manual: 2110-664B
Supersedes: 2110-664A
File: Tab 19
Date: 07-15-02

FUNCTIONAL COMPONENTS

MIS-876

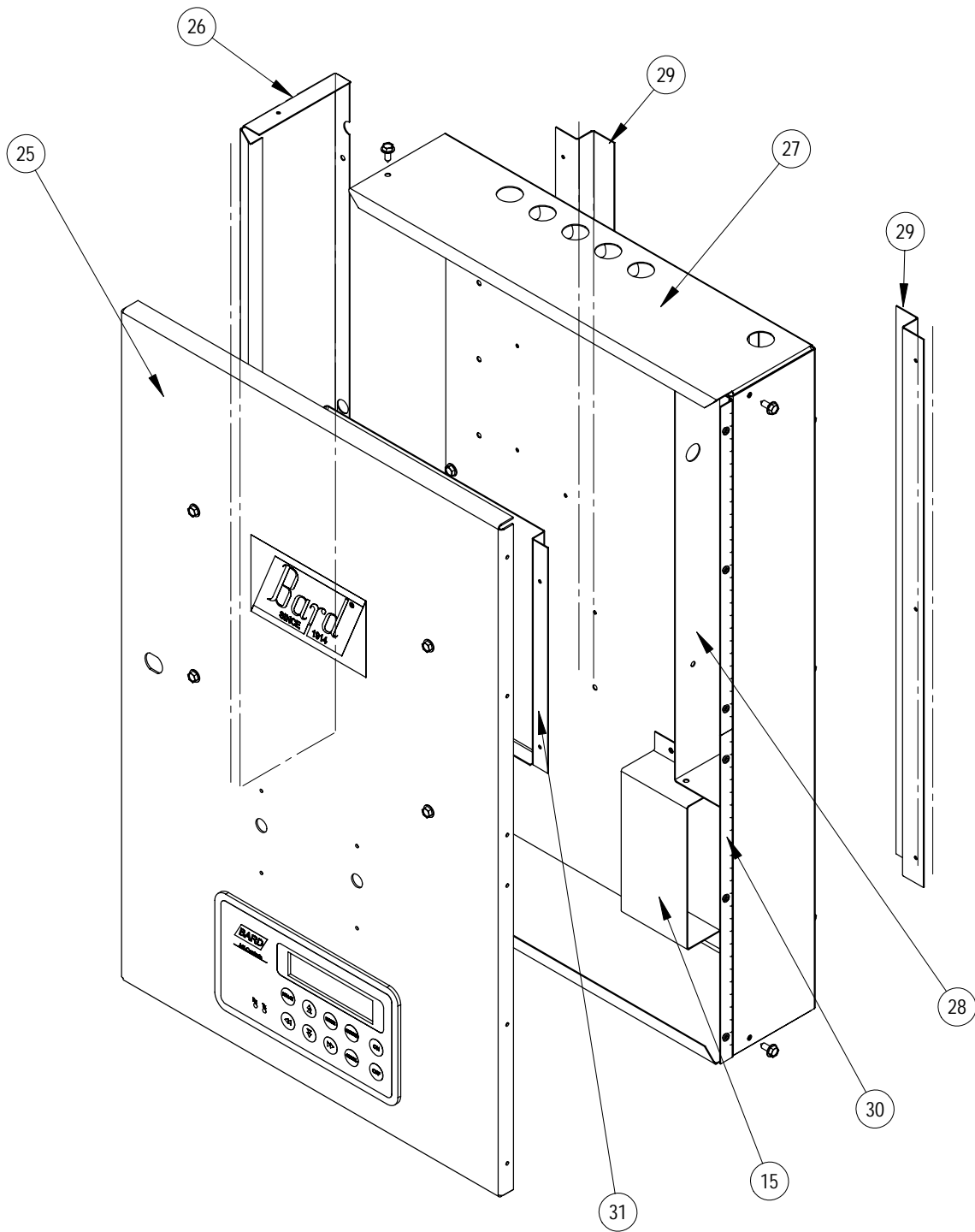


TSC20 – CABINET COMPONENTS



MIS-875

CABINET COMPONENTS – TSC21



SEXP-406

FUNCTIONAL and CABINET COMPONENTS – TSC20

Drawing No.	Part No.	Description	TCS20-XXX	TCS20-XDX	TCS20-XDM	TCS20-XXM	TCS20-HXX	TCS20-HDX	TCS20-HDM	TCS20-HXM
1	8607-023	Terminal Strip	X	X	X	X	X	X	X	X
2	3000-1039	Wire Harness #1	X	X	X	X	X	X	X	X
3	3000-1035	Wire Harness #2	X	X	X	X	X	X	X	X
4	3000-1036	Wire Harness #3	X	X	X	X	X	X	X	X
5	3000-1037	Wire Harness #4	X	X	X	X	X	X	X	X
6	1171-034	Keylatch	X	X	X	X	X	X	X	X
7	8301-020	Indoor Humidity Sensor					X	X	X	X
8	8301-017	Indoor Temperature Sensor	X	X	X	X	X	X	X	X
9	3000-1038	Wire Harness #5	X	X	X	X	X	X	X	X
10	S8301-015-***	Controller (see Note 1)	X	X	X	X	X	X	X	X
11	8607-006	Terminal Strip	X	X	X	X	X	X	X	X
12	8301-021	Resistor Network	2	2	2	2	2	2	2	2
13	8301-016	Display and Keypad		X	X			X	X	
14	8301-023	Modem			X	X			X	X
15	112-223	Modem Bracket			X	X			X	X
16	8611-006	Ground Lug	X	X	X	X	X	X	X	X
17	8607-013	Terminal Block	X	X	X	X	X	X	X	X
18	8614-036	Circuit Breaker	X	X	X	X	X	X	X	X
19	8407-041	Transformer #1	X	X	X	X	X	X	X	X
20	8407-043	Transformer #2			X	X			X	X
21	8201-062	Relay			X	X			X	X
22	8611-093	Receptacle			X	X			X	X
23	112-224	Power Supply Bracket			X	X			X	X
24	8301-029	Null Modem Cable			X	X			X	X
25	133-138	Cover Without DAK	X			X	X			X
25	133-137	Cover With DAK		X	X			X	X	
26	100-323	Side	X	X	X	X	X	X	X	X
27	126-264	Base	X	X	X	X	X	X	X	X
28	116-180	High Voltage Partition	X	X	X	X	X	X	X	X
29	104-971	Base Rail	X	X	X	X	X	X	X	X
NS	8301-019	Outdoor Humidity Sensor	X	X	X	X	X	X	X	X
NS	8301-018	Outdoor Temperature Sensor	X	X	X	X	X	X	X	X

Note 1 The last three numbers of the controller part number will be the same as the last three numbers of the TCS20 model number.

For example: TCS20-XDM-002 = S8301-015-002

FUNCTIONAL and CABINET COMPONENTS – TCS21

Drawing No.	Part No.	Description	TCS21-XXX	TCS21-XDX	TCS21-XDM	TCS21-XXM	TCS21-HXX	TCS21-HDX	TCS21-HDM	TCS21-HXM
1	8607-023	Terminal Strip	X	X	X	X	X	X	X	X
2	3000-1039	Wire Harness #1	X	X	X	X	X	X	X	X
3	3000-1035	Wire Harness #2	X	X	X	X	X	X	X	X
4	3000-1036	Wire Harness #3	X	X	X	X	X	X	X	X
5	3000-1037	Wire Harness #4	X	X	X	X	X	X	X	X
6	1171-034	Keylatch	X	X	X	X	X	X	X	X
7	8301-020	Indoor Humidity Sensor					X	X	X	X
8	8301-017	Indoor Temperature Sensor	X	X	X	X	X	X	X	X
9	3000-1038	Wire Harness #5	X	X	X	X	X	X	X	X
10	S8301-015-***	Controller (see Note 1)	X	X	X	X	X	X	X	X
11	8607-006	Terminal Strip	X	X	X	X	X	X	X	X
12	8301-021	Resistor Network	2	2	2	2	2	2	2	2
13	8301-016	Display and Keypad		X	X			X	X	
14	8301-023	Modem			X	X			X	X
15	112-223	Modem Bracket			X	X			X	X
16	8611-006	Ground Lug	X	X	X	X	X	X	X	X
17	8607-013	Terminal Block	X	X	X	X	X	X	X	X
18	8614-036	Circuit Breaker	X	X	X	X	X	X	X	X
19	8407-041	Transformer #1	X	X	X	X	X	X	X	X
20	8407-043	Transformer #2			X	X			X	X
21	8201-062	Relay			X	X			X	X
22	8611-093	Receptacle			X	X			X	X
23	112-224	Power Supply Bracket			X	X			X	X
24	8301-029	Null Modem Cable			X	X			X	X
25	133-169	Cover Without DAK	X			X	X			X
25	133-170	Cover With DAK		X	X			X	X	
26	100-401	Side	X	X	X	X	X	X	X	X
27	126-320	Base	X	X	X	X	X	X	X	X
28	116-180	High Voltage Partition	X	X	X	X	X	X	X	X
29	104-1120	Base Rail	2	2	2	2	2	2	2	2
NS	8301-019	Outdoor Humidity Sensor	X	X	X	X	X	X	X	X
NS	8301-018	Outdoor Temperature Sensor	X	X	X	X	X	X	X	X

Note 1 The last three numbers of the controller part number will be the same as the last three numbers of the TCS21 model number.

For example: TCS21-XDM-002 = S8301-015-002