
Replacement Parts Manual

Wall Mount Energy Recovery Ventilator

Models: ERVR-A3C

General Notes

- Revised and/or additional pages may be issued from time to time.
- A complete and current manual consists of pages shown in the following contents section.

Important

- Contact the installing and/or local Bard distributor for all parts requirements. Make sure you have the complete model and serial number available from the unit rating plates.

Contents

Description	Page
Functional and Cabinet Components	
♦ Exploded View	1
♦ Usage List	2
Functional and Cabinet Components	
♦ Exploded View	3
♦ Usage List	4
Cassette Components	
♦ Exploded View	5
♦ Usage List	5
Control Panel	
♦ Exploded View	6
♦ Usage List	6
Blower Assembly	
♦ Exploded View	7
♦ Usage List	7



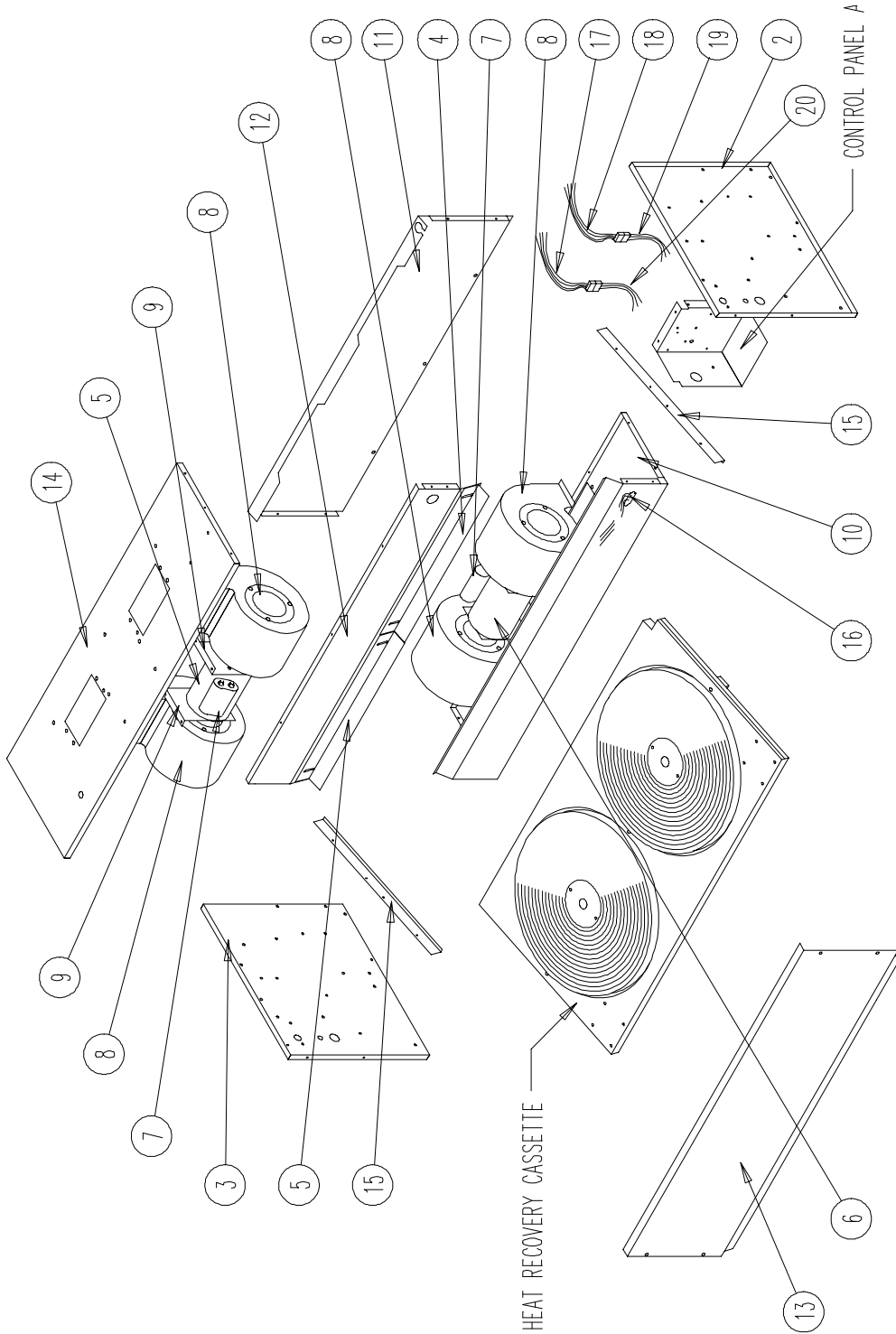
BARD MANUFACTURING COMPANY
Bryan, Ohio 43506

Since 1914...Moving, ahead just as planned.

Manual: 2110-665
Rev: 08-05-97
Date: 08-05-97

CABINET AND FUNCTIONAL COMPONENTS

SEXP-268

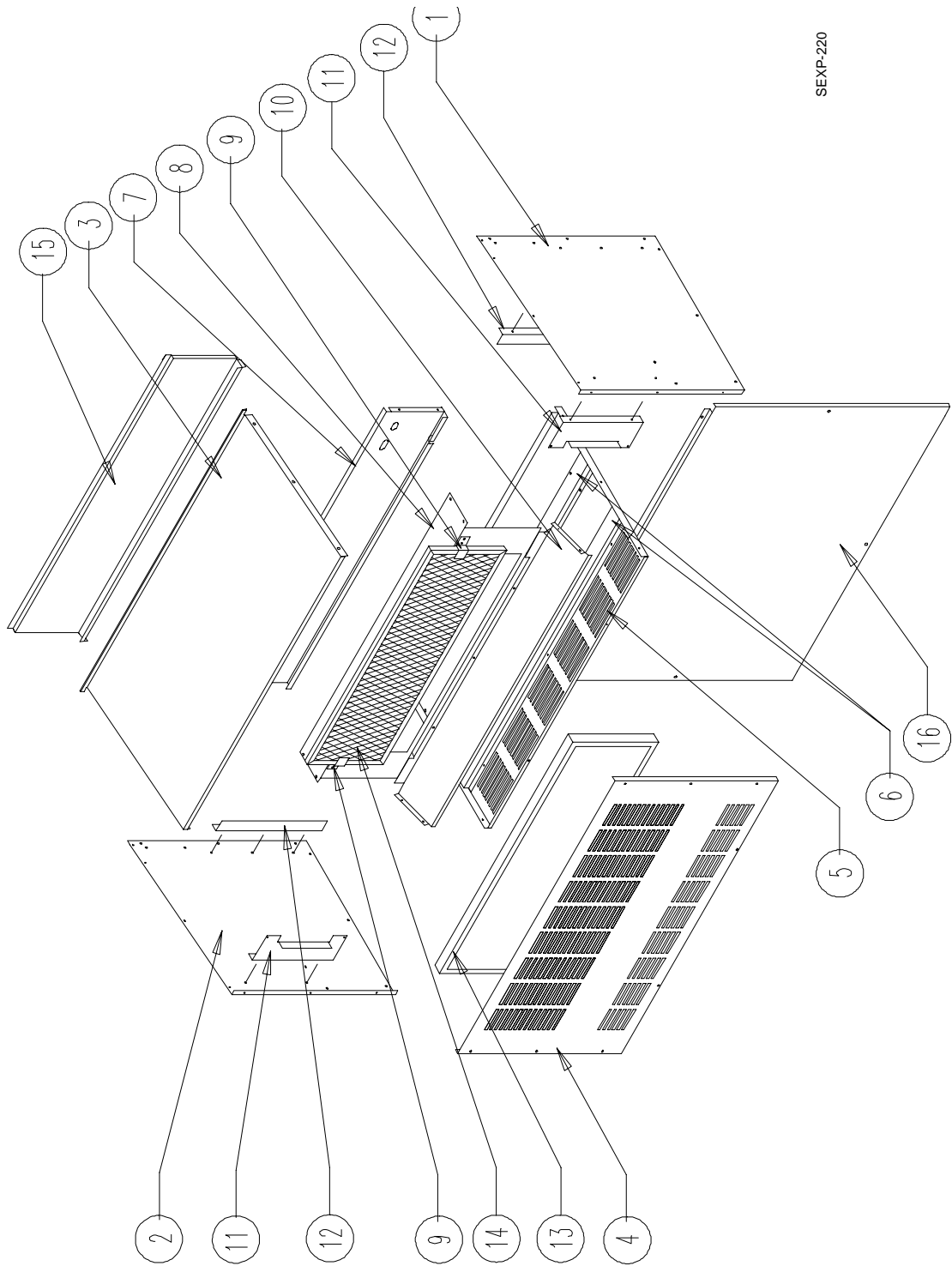


CABINET AND FUNCTIONAL COMPONENTS

Drawing No.	Part No.	Description	ERVR-A3C
2	500X344	Right End	X
3	500Y344	Left End	X
4	105-904	Right Adjustment Angle with Seal	X
5	105-905	Left Adjustment Angle with Seal	X
6	8101-011	Blower Motor	2
7	8552-001	Blower Motor Capacitor	X
8	Blower Housing and Wheel	See Blower Housing Assembly Drawing	4
9	129-018	Blower Motor Mount	4
10	520-317	Lower Partition Assembly	X
11	508-114	Back Assembly	X
12	520-242	Middle Partition Assembly	X
13	115-084	Front Assembly	X
14	506-147	Top Assembly	X
15	105-898	Slide Angle	X
16	3000-989	Wire Harness Right	X
17	3000-1022	Low Voltage to Unit	X
18	3000-1023	High Voltage to Unit	X
19	3000-1021	Wire Harness – High Voltage to ERVR	X
20	3000-1020	Wire Harness – Low Voltage to ERVR	X
NS	3000-1076	Wire Harness – Cassette	X
NS	4056-153	Wiring Diagram	X

NS = Not Shown

CABINET AND FUNCTIONAL COMPONENTS



SEXP-220

CABINET AND FUNCTIONAL COMPONENTS

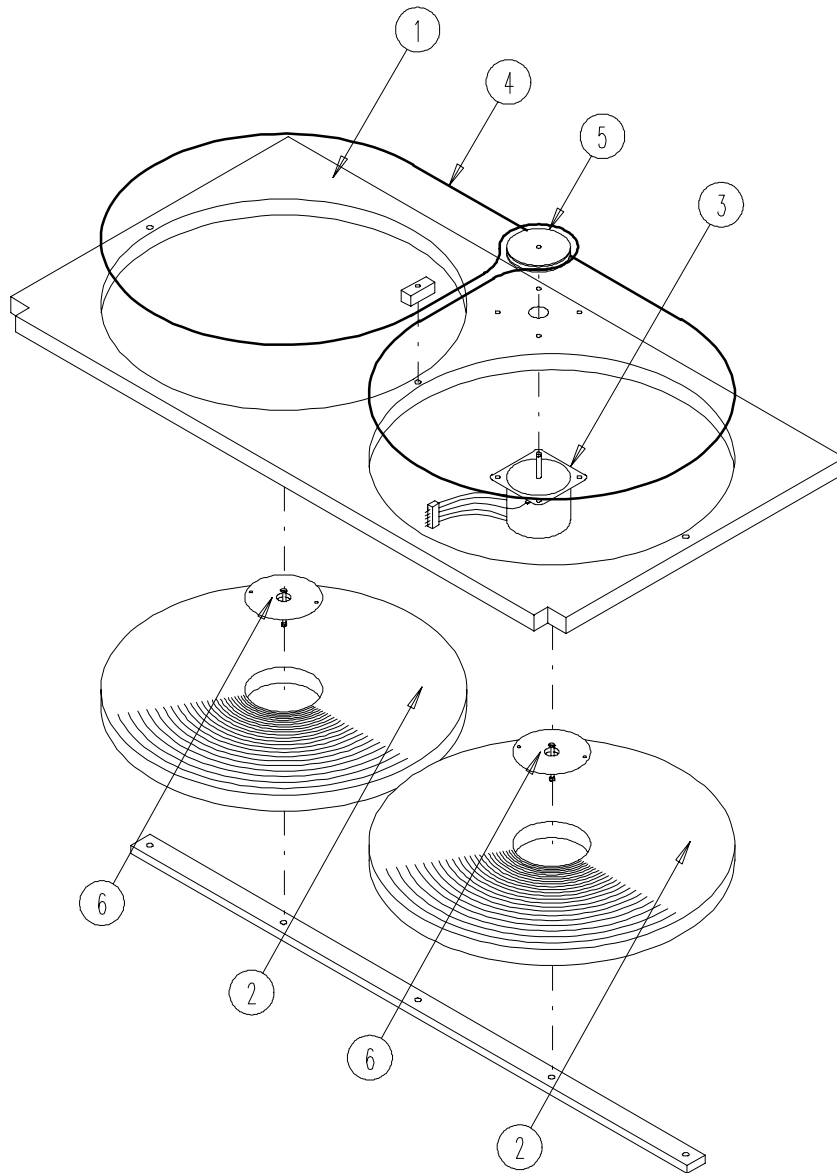
Drawing No.	Part No.	Description	ERVR-A3C
1	100X294-4	Right Side	X
2	100Y294-4	Left Side	X
3	106-158-4	Top	X
4	152-242-4	Front	X
5	126-245-4	Base	X
6	164-548	Base Channel	2
7	508-113	Back	X
8	130-100	Filter Fill	X
9	130-101	Bracket	2
10	126-246	Partition	X
11	112-207	Filter Bracket	2
12	104-947	Angle	2
13	7003-033	Mist Eliminator	X
14	7003-036	Filter	X
15	514-096-4	Upper Front	X
16	552-243-4	Service Door	X

CASSETTE COMPONENTS

ERVR-A3C

Drawing

No.	Part No.	Description	
1	5070-020	Cassette Assembly – Complete with Motors	X
2	5070-004	Cassette Wheel	2
3	8101-016	Cassette Motor	X
4	5070-023	Cassette Drive Belt	X
5	5070-025	Cassette Pulley	X
6	5070-007	Cassette Hardware Kit (2 wheel shafts, nuts, & washers)	X



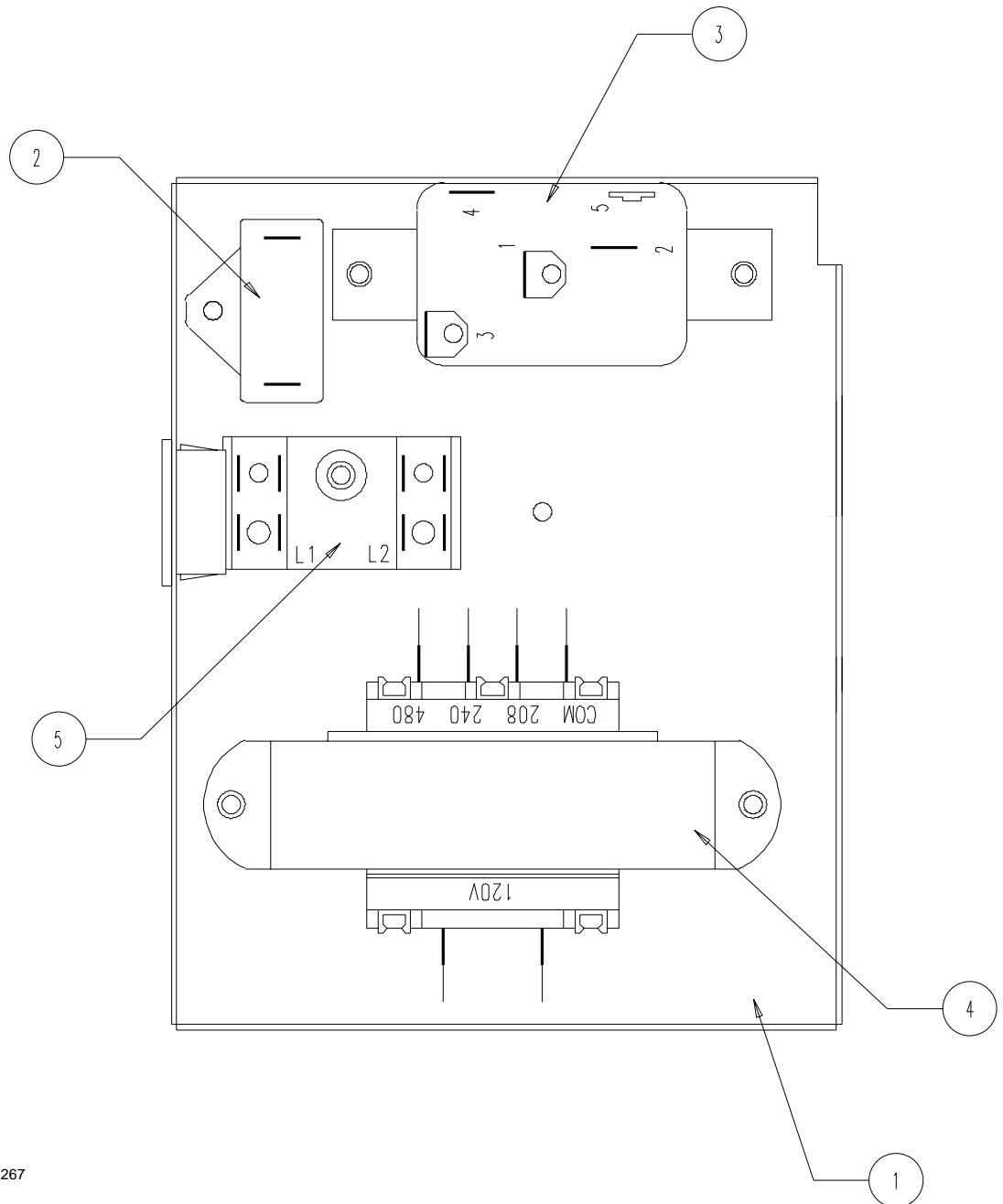
SEXP-259

CONTROL PANEL

ERVR-A3C

Drawing

No.	Part No.	Description	
1	116-201	Control Panel	X
2	8552-070	Cassette Motor Capacitor	X
3	8201-008	Blower Relay	X
4	8407-043	Transformer	X
5	400-0087	Terminal Block	X



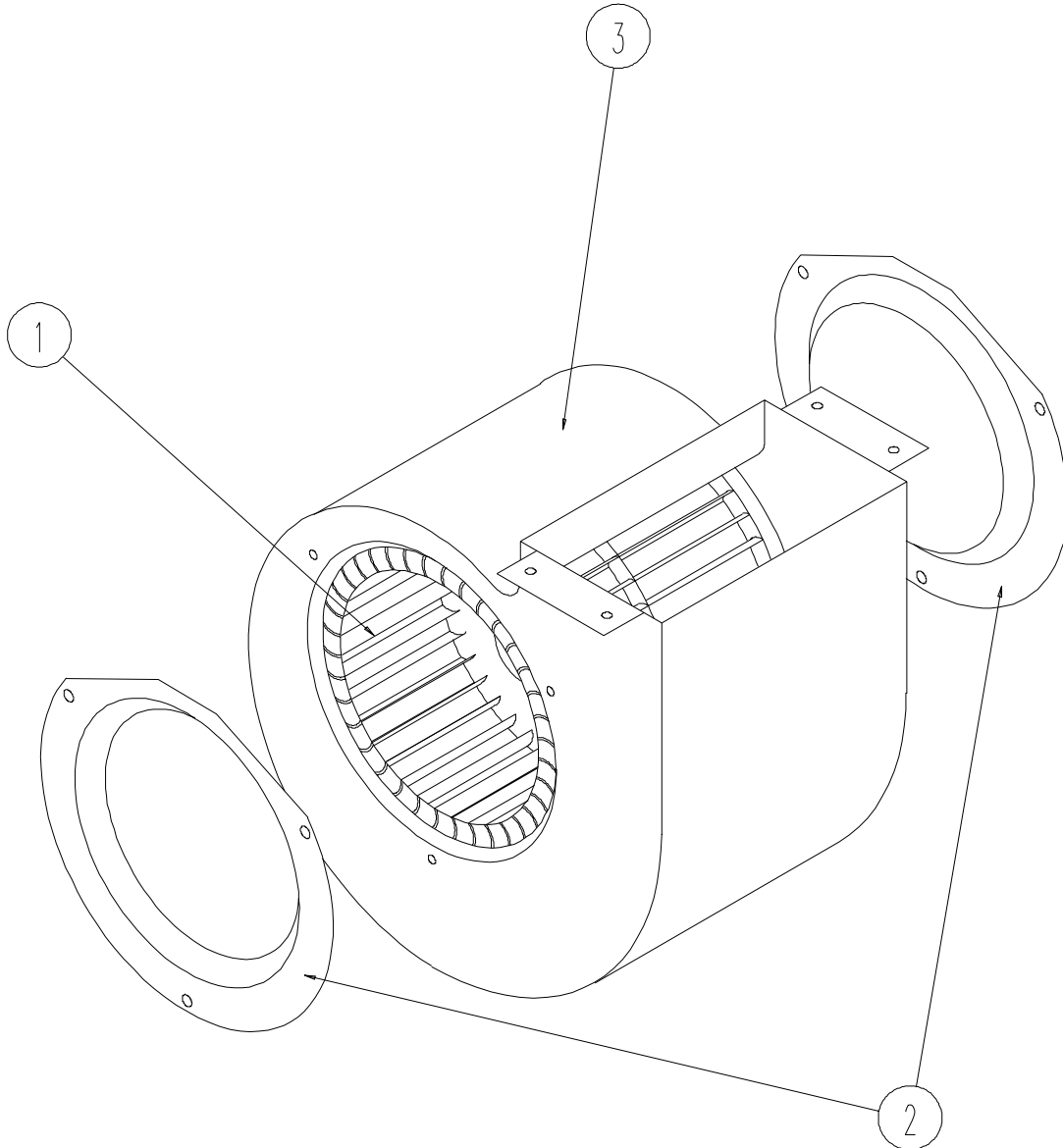
SEXP-267

BLOWER ASSEMBLY

ERV-R-A3C

Drawing

No.	Part No.	Description	
1	5152-078	Blower Wheel	X
2	5152-080	Inlet Ring	X
3	5152-079	Blower Housing	X



SEXP-218