
Wall Mount Energy Recovery Ventilator

Replacement Parts Manual

Models:

WERV-A2B WERV-A3B
WERV-C2B WERV-C3B
WERV-A5B WERV-C5B

General Notes

- Revised and/or additional pages may be issued from time to time.
- A complete and current manual consists of pages shown in the following contents section.

Important

- Contact the installing and/or local Bard distributor for all parts requirements. Make sure you have the complete model and serial number available from the unit rating plates.

Contents

Description	Page
Functional and Cabinet Components	
• Exploded View	1
• Usage List	2
Functional and Cabinet Components	
• Exploded View	3
• Usage List	4
Functional and Cabinet Components	
• Exploded View	5
• Usage List	6
Cassette Components	
• Exploded View	7
• Usage List	7
Rain Hood and Service Door	
• Exploded View	8
• Usage List	8
Control Panel	
• Exploded View	9
• Usage List	9
Blower Assembly	
• Exploded View	10
• Usage List	10

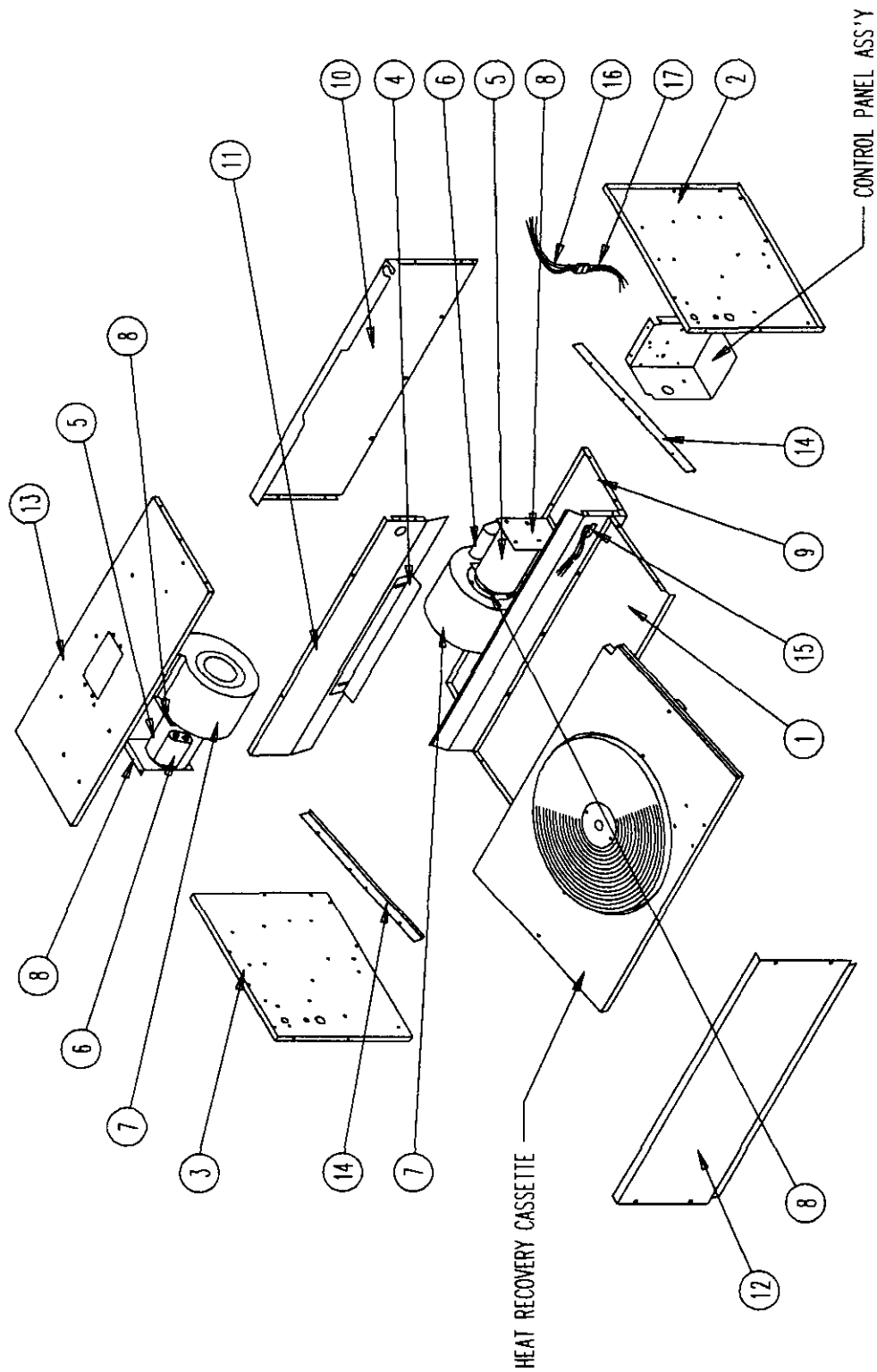


BARD MANUFACTURING COMPANY
Bryan, Ohio 43506

Since 1914...Moving, ahead just as planned.

Manual: 2110-668A
Rev: 2110-668
Date: 08-11-97

FUNCTIONAL and CABINET COMPONENTS



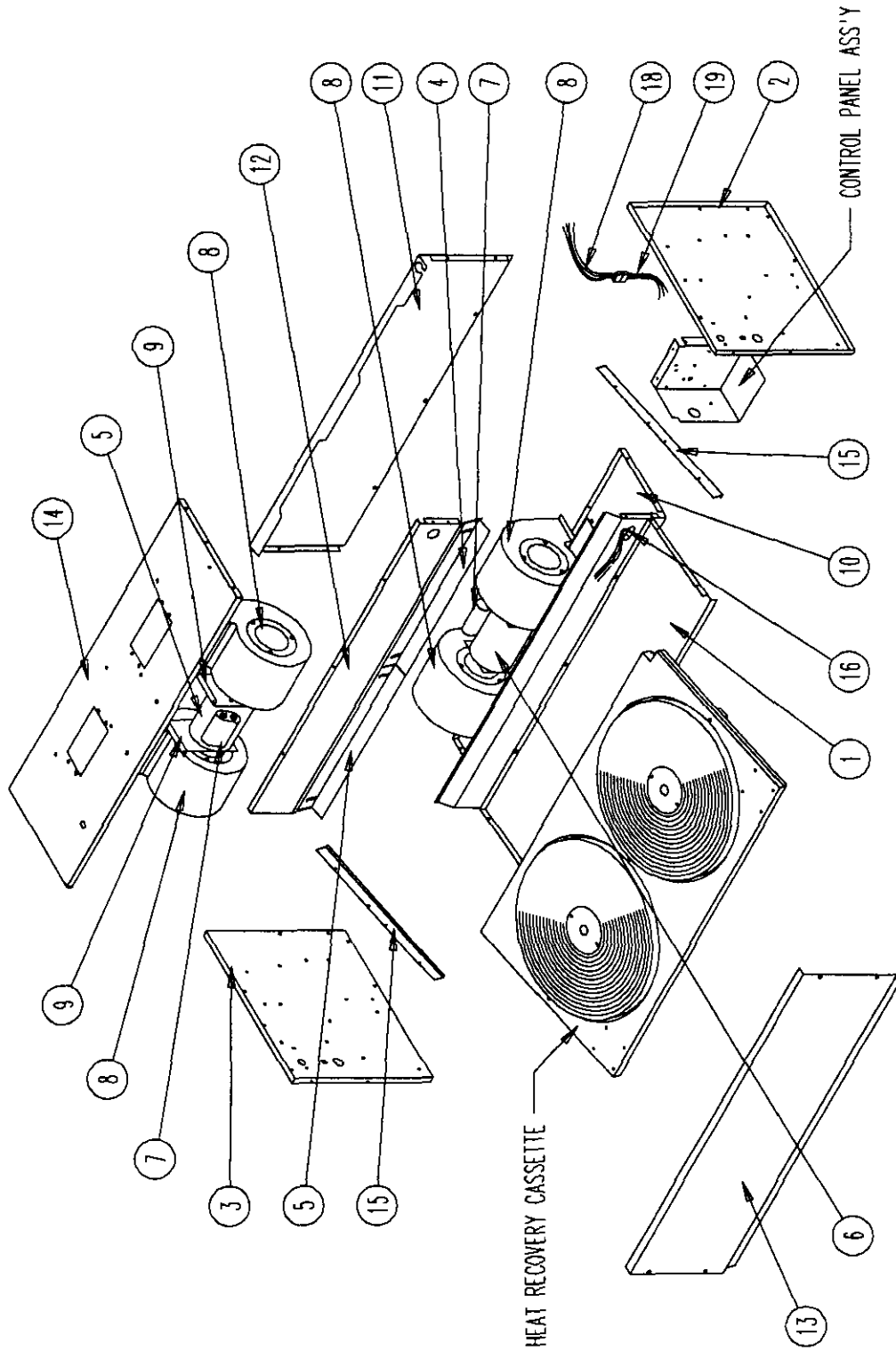
SEXP-211

FUNCTIONAL and CABINET COMPONENTS

Drawing No.	Part No.	Description	WERV-A2B	WERV-C2B
1	127-239	Base	X	X
2	500X344	Right End	X	X
3	500Y344	Left End	X	X
4	105-932	Adjustment Angle with Seal	X	X
5	8101-013	Blower Motor	2	
5	8101-017	Blower Motor		2
6	8552-001	Blower Motor Capacitor	2	2
7	Blower Housing and Wheel	See Blower Housing Assembly Drawing	2	2
8	129-018	Blower Motor Mount	4	4
9	520-275	Lower Partition Assembly	X	X
10	508-107	Back Assembly	X	X
11	520-274	Middle Partition Assembly	X	X
12	115-089	Front Assembly	X	X
13	506-155	Top Assembly	X	X
14	105-898	Slide Angle	2	2
15	3000-989	Wire Harness - Right	X	X
16	3000-991	Wire Harness - Unit	X	X
17	3000-992	Wire Harness - WERV	X	X
NS	4056-161	Wiring Diagram	X	
NS	4056-302	Wiring Diagram		X

NS = Not Shown

FUNCTIONAL and CABINET COMPONENTS



SEXP-269

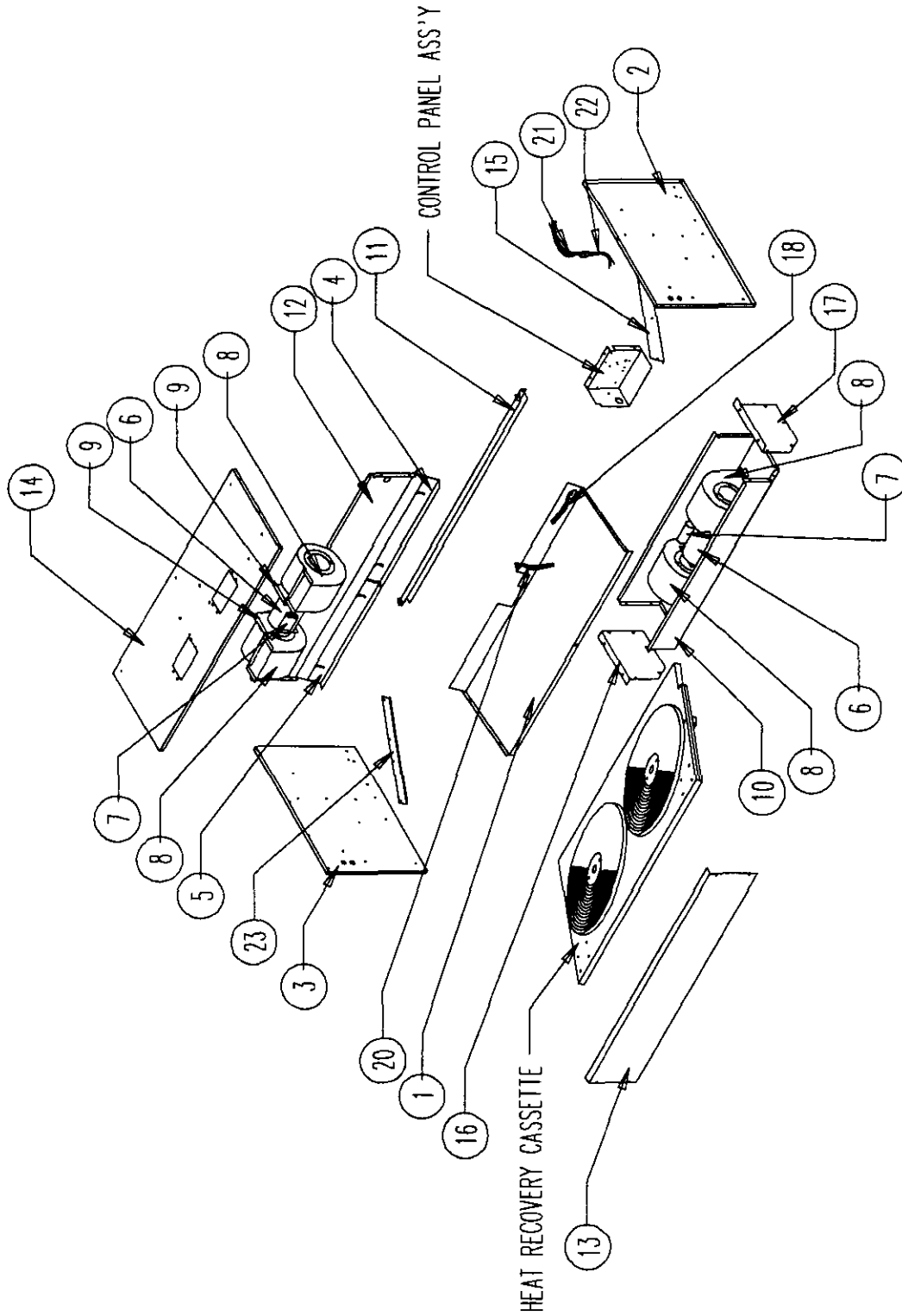
FUNCTIONAL and CABINET COMPONENTS

Drawing No.	Part No.	Description	WERV-A3B	WERV-C3B
1	127-222	Base	X	X
2	500X344	Right End	X	X
3	500Y344	Left End	X	X
4	105-904	Right Adjustment Angle with Seal	X	X
5	105-905	Left Adjustment Angle with Seal	X	X
6	8101-011	Blower Motor	2	
6	8101-006	Blower Motor		2
7	8552-001	Blower Motor Capacitor	2	2
8	Blower Housing and Wheel	See Blower Housing Assembly Drawing	4	4
9	129-018	Blower Motor Mount	4	4
10	520-316	Lower Partition Assembly	X	X
11	508-108	Back Assembly	X	X
12	520-242	Middle Partition Assembly	X	X
13	115-084	Front Assembly	X	X
14	506-147	Top Assembly	X	X
15	105-898	Slide Angle	2	2
16	3000-989	Wire Harness – Right	X	X
18	3000-991	Wire Harness – Unit	X	X
19	3000-992	Wire Harness – WERV	X	X
NS	4056-153	Wiring Diagram	X	
NS	4056-301	Wiring Diagram		X
NS	3000-1073	Wire Harness	X	X

NS = Not Shown

FUNCTIONAL and CABINET COMPONENTS

SEXP-270



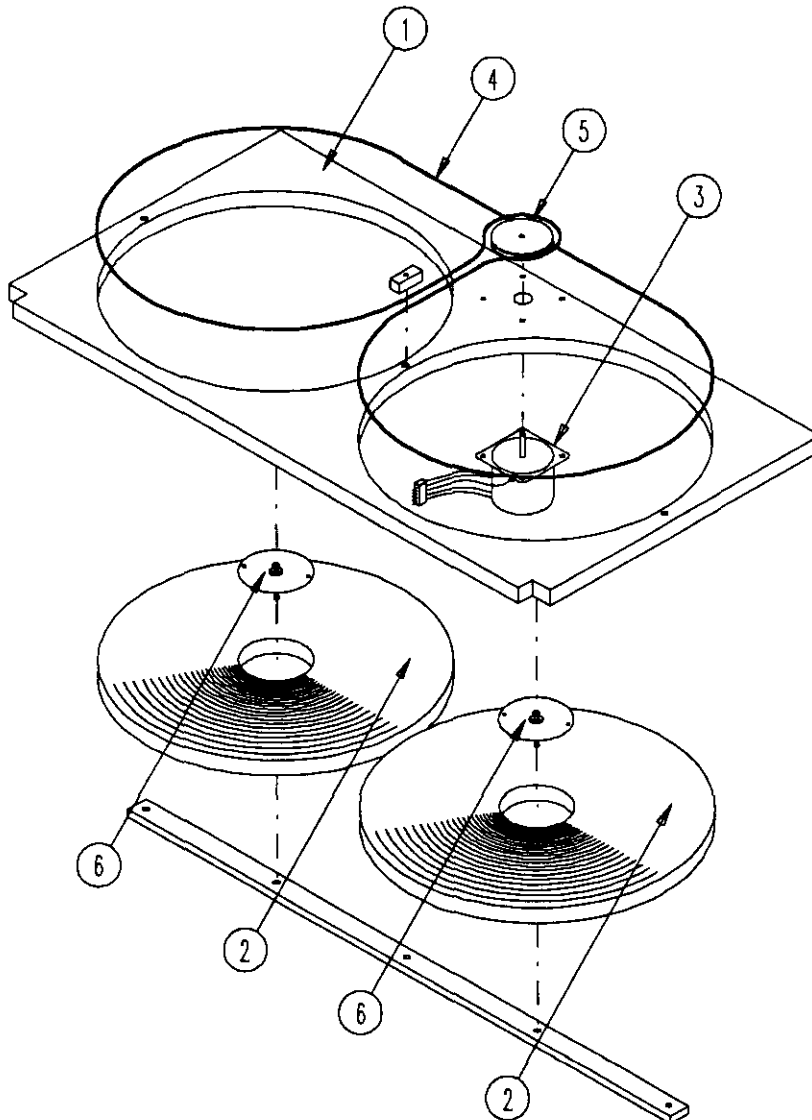
FUNCTIONAL and CABINET COMPONENTS

Drawing No.	Part No.	Description	WERV-A5B	WERV-C5B
1	526-278	Base	X	X
2	500X345	Right End	X	X
3	500Y345	Left End	X	X
4	105-914	Right Adjustment Angle with Seal	X	X
5	105-915	Left Adjustment Angle with Seal	X	X
6	8101-011	Blower Motor	2	
6	8101-006	Blower Motor		2
7	8552-001	Blower Motor Capacitor	X	X
	Blower Housing and Wheel	See Blower Housing Assembly Drawing	4	4
9	129-018	Blower Motor Mount	4	4
10	538-084	Wrapper Assembly	X	X
11	508-103	Back Assembly	X	X
12	520-259	Middle Partition Assembly	X	X
13	115-087	Front Assembly	X	X
14	506-149	Top Assembly	X	X
15	105-911	Right Slide Angle	2	2
16	500Y278	Left Wrapper End	X	X
17	500X278	Right Wrapper End	X	X
18	3000-1002	Wire Harness - Right	X	X
20	3000-1008	Wire Harness	X	X
21	3000-1004	Wire Harness - Unit	X	X
22	3000-1003	Wire Harness - WERV	X	X
23	105-912	Left Slide Angle	X	X
NS	3000-1073	Wire Harness	X	X
NS	4056-154	Wiring Diagram	X	
NS	4056-301	Wiring Diagram		X

NS = Not Shown

CASSETTE COMPONENTS

Drawing No.	Part No.	Description	WERV-A2B	WERV-C2B	WERV-A3B	WERV-C3B	WERV-A5B	WERV-C5B
1	5070-020	Cassette Assembly - Complete with Motors			X	X		
1	5070-021	Cassette Assembly - Complete with Motors					X	X
1	5070-012	Cassette Assembly - Complete with Motors	X	X				
2	5070-014	Cassette Wheel with Shaft and Bearing	1	1	2	2		
2	5070- 016 015	Cassette Wheel with Shaft and Bearing					2	2
3	5070-003	Cassette Motor	1	1				
3	8101-016	Cassette Motor			1	1	1	1
4	5070-005	Cassette Belt	1	1				
4	5070-023	Cassette Belt			1	1		
4	5070-024	Cassette Belt					1	1
5	5070-006	Cassette Pulley	1	1				
5	5070-025	Cassette Pulley			1	1	1	1
6	5070-016	Cassette Hardware Kit (Wheel shaft, nut, washer)	1	2	2	2	2	2

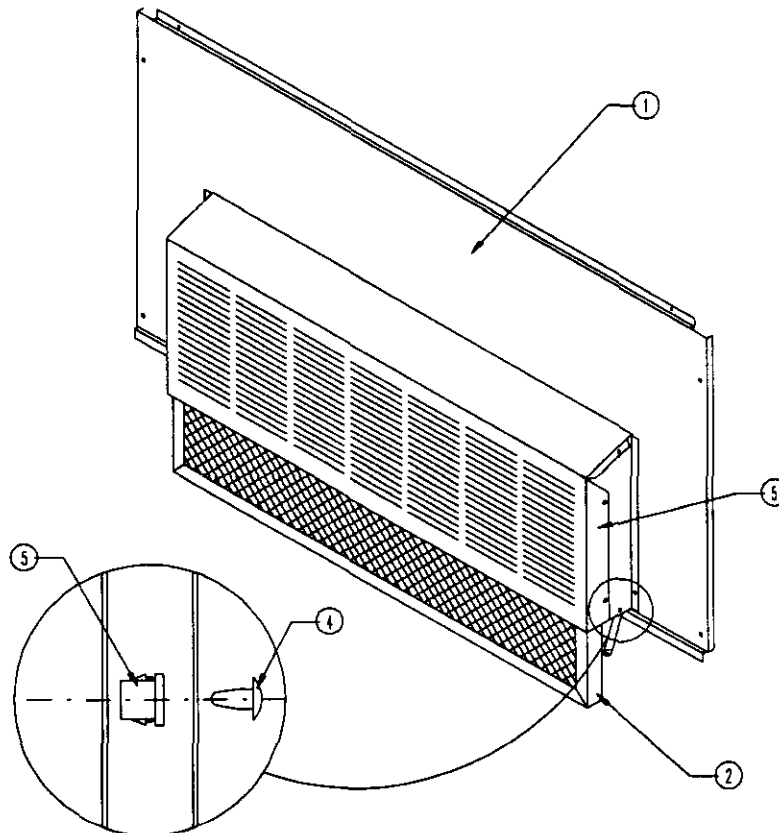


SEXP-259

RAIN HOOD and SERVICE DOOR

Drawing No.	Part No.	Description	WERV-A2B	WERV-C2B	WERV-A3B	WERV-C3B	WERV-A5B	WERV-C5B
1	S552-229-*	Service Door			X	X		
1	S552-231-*	Service Door					X	X
1	S552-236-*	Service Door	X	X				
2	7003-033	Mist Eliminator			X	X		
2	7003-035	Mist Eliminator					X	X
2	7003-034	Mist Eliminator	X	X				
3	8611-057	Bushing	2	2	2	2	2	2
4	8611-059	Canoe Clip	2	2	2	2	2	2
5	962033	Beige Rain Hood Complete with Mist Eliminator			X	X		
5	962034	White Rain Hood Complete with Mist Eliminator			X	X		
5	962035	Mesa Tan Rain Hood Complete with Mist Eliminator			X	X		
5	962036	Colonial White Rain Hood Complete with Mist Eliminator			X	X		
5	962037	Buckeye Gray Rain Hood Complete with Mist Eliminator			X	X		
5	962040	Beige Rain Hood Complete with Mist Eliminator					X	X
5	962041	White Rain Hood Complete with Mist Eliminator					X	X
5	962042	Mesa Tan Rain Hood Complete with Mist Eliminator					X	X
5	962043	Colonial White Rain Hood Complete with Mist Eliminator					X	X
5	962044	Buckeye Gray Rain Hood Complete with Mist Eliminator					X	X
5	962049	Beige Rain Hood Complete with Mist Eliminator	X	X				
5	962050	White Rain Hood Complete with Mist Eliminator	X	X				
5	962051	Mesa Tan Rain Hood Complete with Mist Eliminator	X	X				
5	962052	Colonial White Rain Hood Complete with Mist Eliminator	X	X				
5	962053	Buckeye Gray Rain Hood Complete with Mist Eliminator	X	X				

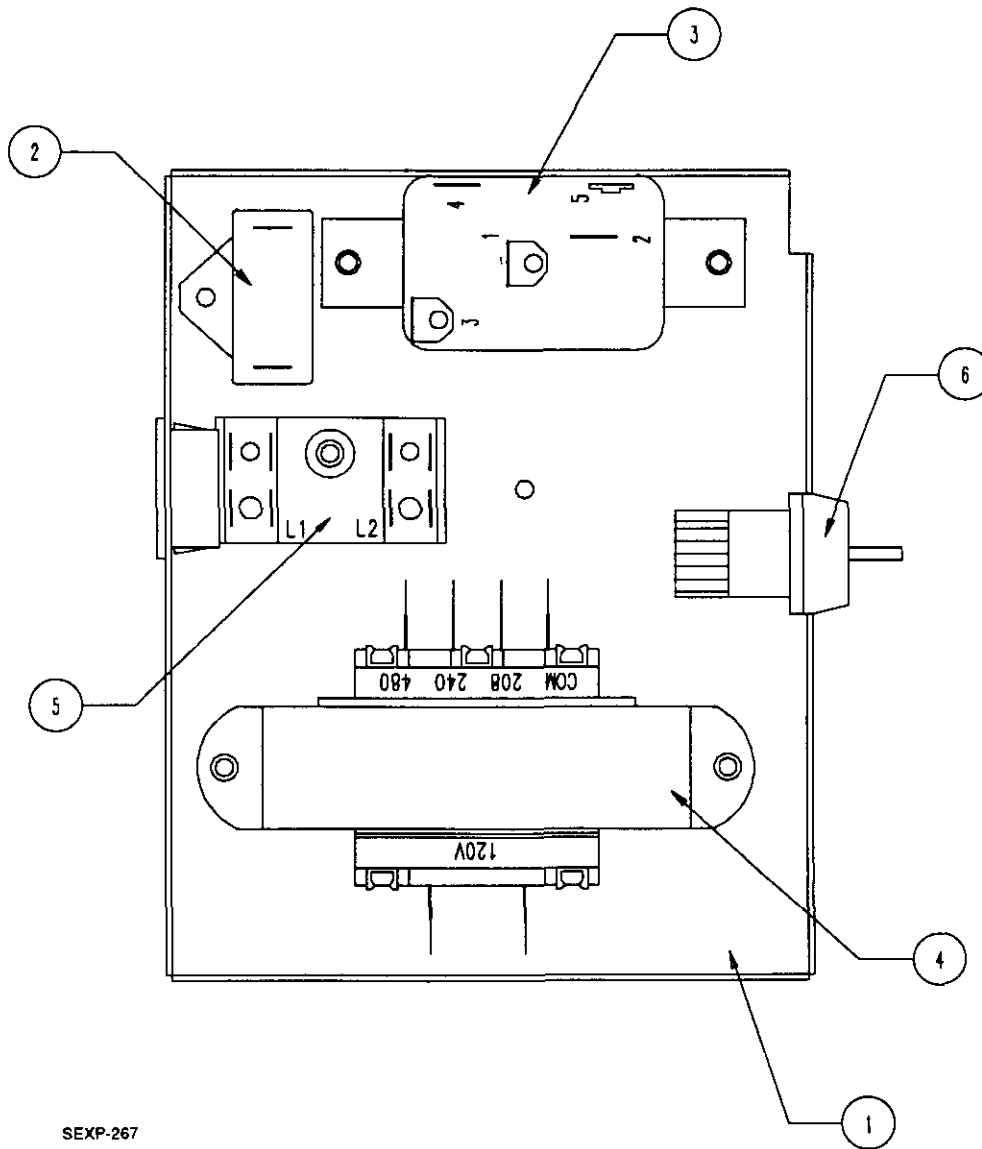
- (1) Exterior cabinet parts are manufactured with various color options. To insure that you receive the proper color, you must include the complete models and serial number of the unit for which parts are being ordered.



SEXP-189

CONTROL PANEL

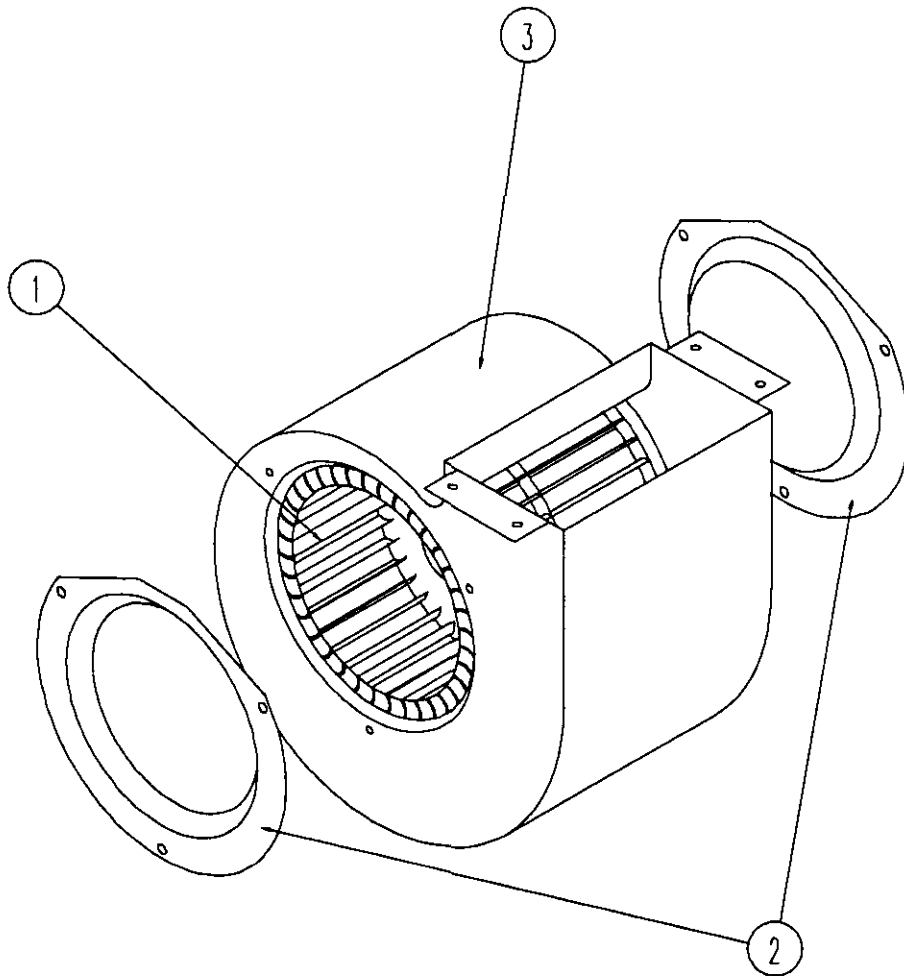
Drawing No.	Part No.	Description	WERV-A2B	WERV-C2B	WERV-A3B	WERV-C3B	WERV-A5B	WERV-C5B
1	117-201	Control Panel	X	X	X	X		
1	117-202	Control Panel					X	X
2	8552-060	Cassette Motor Capacitor	1	1				
2	8552-070	Cassette Motor Capacitor			1	1	1	1
3	8201-008	Blower Relay	X		X		X	
3	8201-032	Blower Relay		X		X		X
4	8407-043	Transformer	X	X	X	X	X	X
5	400-0087	Terminal Block	X	X	X	X	X	X
6	8604-074	Switch	1		1		1	



SEXP-267

BLOWER ASSEMBLY

Drawing No.	Part No.	Description	ALL MODELS
1	5152-078	Blower Wheel	X
2	5152-080	Inlet Ring	X
3	5152-079	Blower Housing	X



SEXP-218

