

---

# Wall Mount Energy Recovery Ventilator

## Replacement Parts Manual

Models:

WERV-A2B    WERV-A3B  
WERV-C3B    WERV-A5B  
WERV-C5B

---

### General Notes

- Revised and/or additional pages may be issued from time to time.
- A complete and current manual consists of pages shown in the following contents section.

### Important

- Contact the installing and/or local Bard distributor for all parts requirements. Make sure you have the complete model and serial number available from the unit rating plates.

### Contents

Description	Page
Functional and Cabinet Components	
♦ Exploded View .....	1
♦ Usage List .....	2
Functional and Cabinet Components	
♦ Exploded View .....	3
♦ Usage List .....	4
Functional and Cabinet Components	
♦ Exploded View .....	5
♦ Usage List .....	6
Cassette Components	
♦ Exploded View .....	7
♦ Usage List .....	7
Rain Hood and Service Door	
♦ Exploded View .....	8
♦ Usage List .....	8
Control Panel	
♦ Exploded View .....	9
♦ Usage List .....	9
Blower Assembly	
♦ Exploded View .....	10
♦ Usage List .....	10

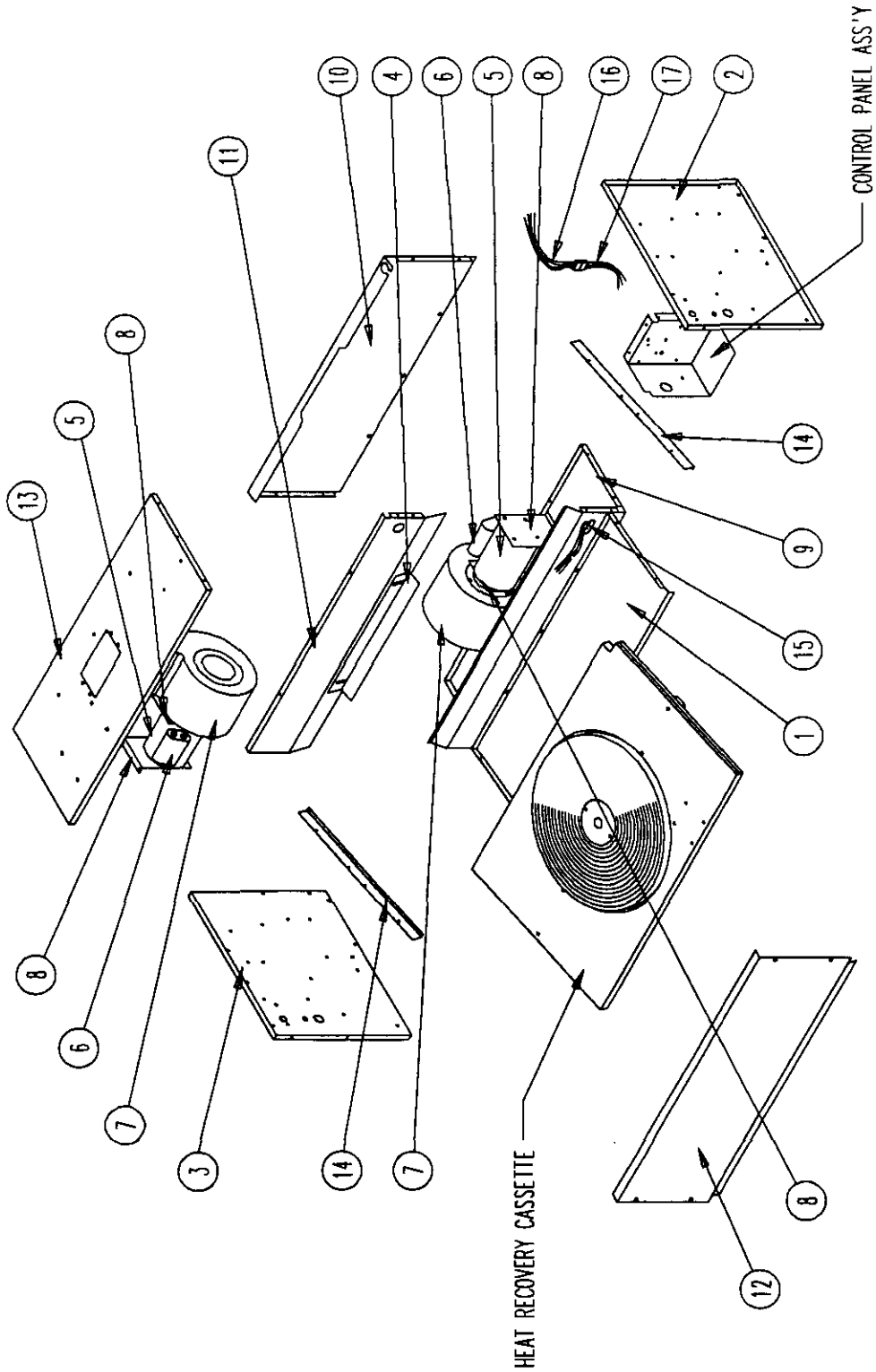


**BARD MANUFACTURING COMPANY**  
Bryan, Ohio 43506

*Since 1914...Moving, ahead just as planned.*

Manual: 2110-668  
Rev:  
Date: 06-17-97

# FUNCTIONAL and CABINET COMPONENTS



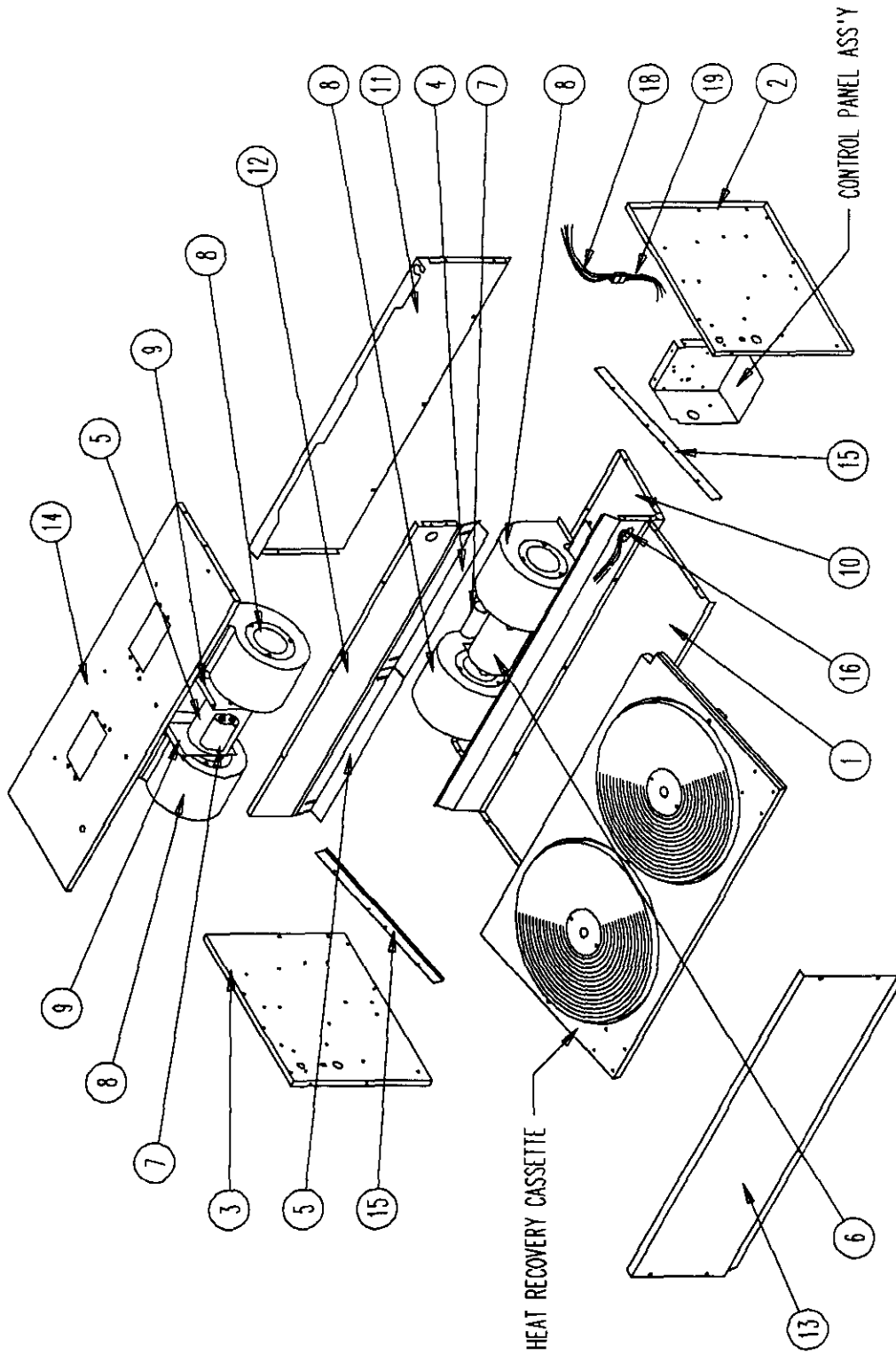
SEXP-211

# FUNCTIONAL and CABINET COMPONENTS

Drawing No.	Part No.	Description	WERV-A2B
1	127-239	Base	X
2	500X344	Right End	X
3	500Y344	Left End	X
4	105-932	Adjustment Angle with Seal	X
5	8101-013	Blower Motor	2
6	8552-001	Blower Motor Capacitor	2
7	Blower Housing and Wheel	See Blower Housing Assembly Drawing	2
8	129-018	Blower Motor Mount	4
9	520-275	Lower Partition Assembly	X
10	508-107	Back Assembly	X
11	520-274	Middle Partition Assembly	X
12	115-089	Front Assembly	2
13	506-155	Top Assembly	X
14	105-898	Slide Angle	2
15	3000-989	Wire Harness - Right	X
16	3000-991	Wire Harness - Unit	
17	3000-992	Wire Harness - WERV	X
NS	4056-161	Wiring Diagram	X

NS = Not Shown

# FUNCTIONAL and CABINET COMPONENTS



SEXP-268

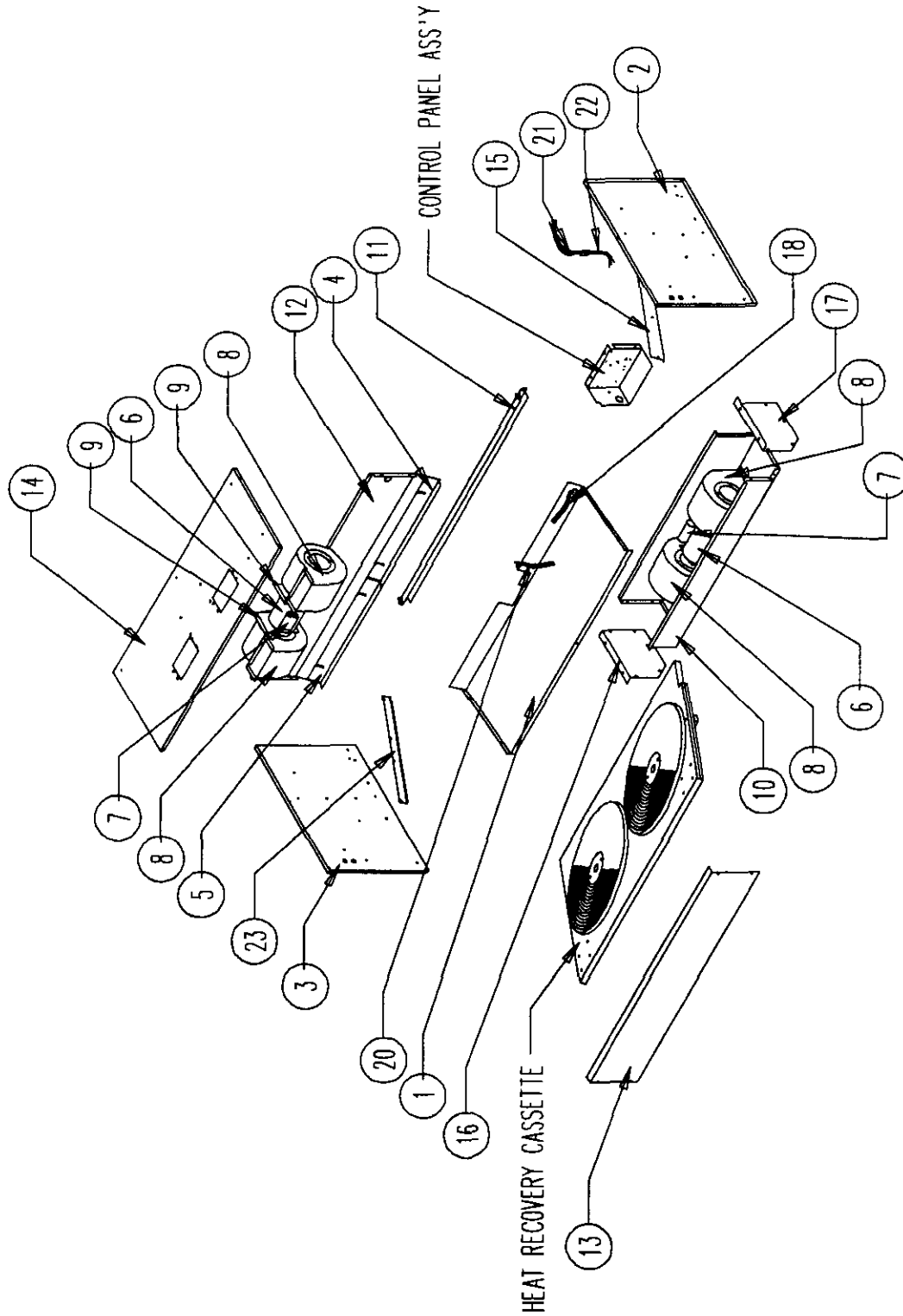
## FUNCTIONAL and CABINET COMPONENTS

Drawing No.	Part No.	Description	WERV-A3B	WERV-C3B
1	127-222	Base	X	X
2	500X344	Right End	X	X
3	500Y344	Left End	X	X
4	105-904	Right Adjustment Angle with Seal	X	X
5	105-905	Left Adjustment Angle with Seal	X	X
6	8101-011	Blower Motor	2	
6	8101-006	Blower Motor		2
7	8552-001	Blower Motor Capacitor	2	2
8	Blower Housing and Wheel	See Blower Housing Assembly Drawing	4	4
9	129-018	Blower Motor Mount	4	4
10	520-316	Lower Partition Assembly	X	X
11	508-108	Back Assembly	X	X
12	520-242	Middle Partition Assembly	X	X
13	115-084	Front Assembly	X	X
14	506-147	Top Assembly	X	X
15	105-898	Slide Angle	2	2
16	3000-989	Wire Harness - Right	X	X
18	3000-991	Wire Harness - Unit	X	X
19	3000-992	Wire Harness - WERV	X	X
NS	4056-153	Wiring Diagram	X	
NS	4056-301	Wiring Diagram		X
NS	300-1073	Wire Harness	X	X

NS = Not Shown

# FUNCTIONAL and CABINET COMPONENTS

SEXP-270



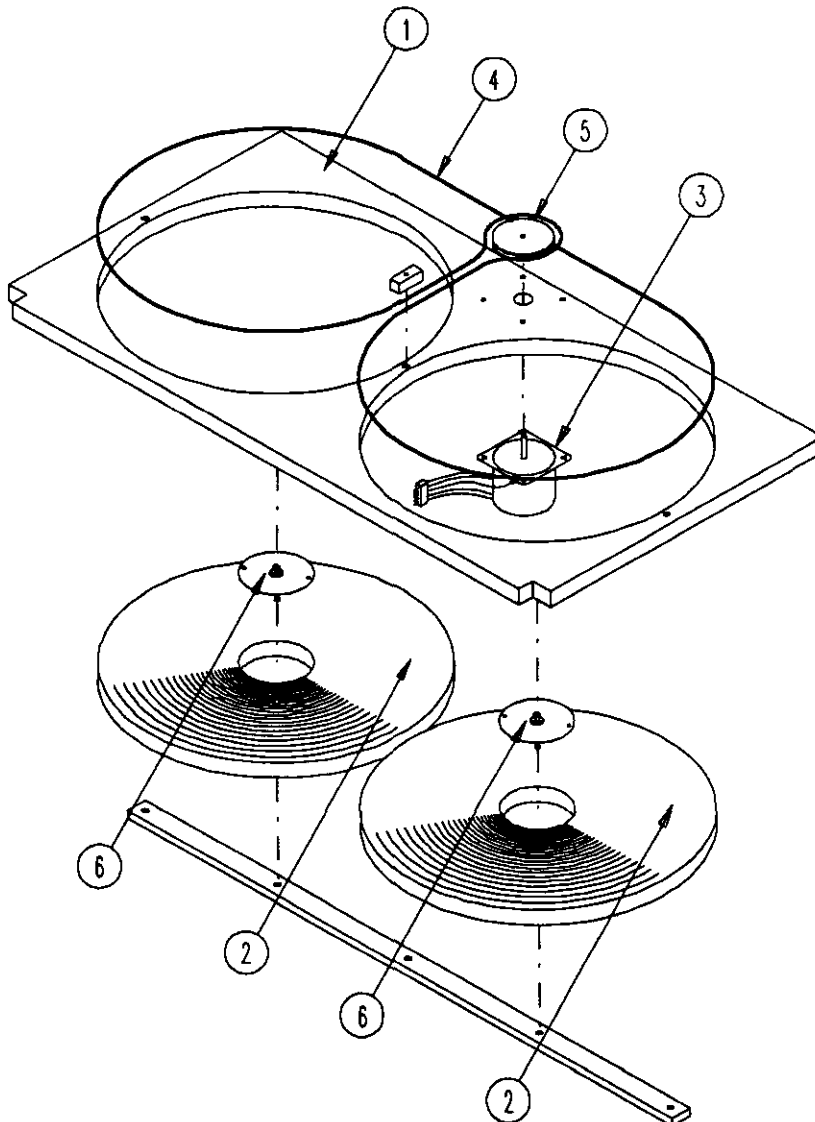
## FUNCTIONAL and CABINET COMPONENTS

Drawing No.	Part No.	Description	WERV-A5B	WERV-C5B
1	526-278	Base	X	X
2	500X345	Right End	X	X
3	500Y345	Left End	X	X
4	105-914	Right Adjustment Angle with Seal	X	X
5	105-915	Left Adjustment Angle with Seal	X	X
6	8101-011	Blower Motor	2	
6	8101-006	Blower Motor		2
7	8552-001	Blower Motor Capacitor	X	X
	Blower Housing and Wheel	See Blower Housing Assembly Drawing	4	4
9	129-018	Blower Motor Mount	4	4
10	538-084	Wrapper Assembly	X	X
11	508-103	Back Assembly	X	X
12	520-259	Middle Partition Assembly	X	X
13	115-087	Front Assembly	X	X
14	506-149	Top Assembly	X	X
15	105-911	Right Slide Angle	2	2
16	500Y278	Left Wrapper End	X	X
17	500X278	Right Wrapper End	X	X
18	3000-1002	Wire Harness - Right	X	X
20	3000-1008	Wire Harness	X	X
21	3000-1004	Wire Harness - Unit	X	X
22	3000-1003	Wire Harness - WERV	X	X
23	105-912	Left Slide Angle	X	X
NS	3000-1073	Wire Harness	X	X
NS	4056-154	Wiring Diagram	X	
NS	4056-301	Wiring Diagram		X

NS = Not Shown

# CASSETTE COMPONENTS

Drawing No.	Part No.	Description	WERV-A2B	WERV-A3B	WERV-C3B	WERV-A5B	WERV-C5B
1	5070-020	Cassette Assembly – Complete with Motors		X	X		
1	5070-021	Cassette Assembly – Complete with Motors				X	X
1	5070-012	Cassette Assembly – Complete with Motors	X				
2	5070-004 <i>014</i>	Cassette Wheel	1	2	2		
2	5070-005 <i>015</i>	Cassette Wheel				2	2
3	5070-003	Cassette Motor	1				
3	8101-016	Cassette Motor		1	1	1	1
4	5070-005	Cassette Belt	1				
4	5070-023	Cassette Belt		1	1		
4	5070-024	Cassette Belt				1	1
5	5070-006	Cassette Pulley	1				
5	5070-025	Cassette Pulley		1	1	1	1
6	5070-007	Cassette Hardware Kit (2 wheel shafts, nuts, washers)	X	X	X	X	X

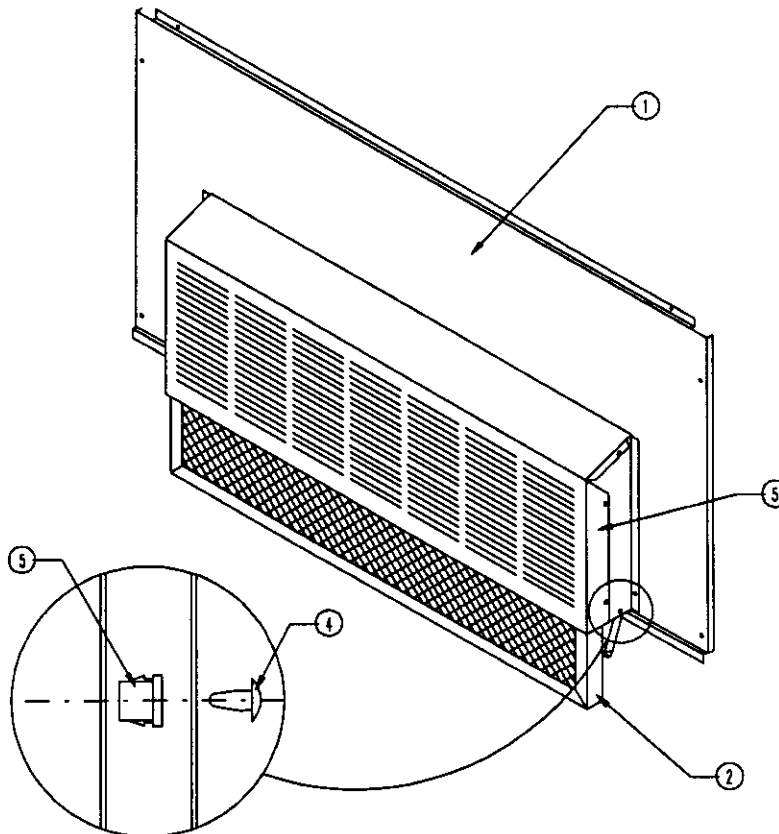


SEXP-259



# RAIN HOOD and SERVICE DOOR

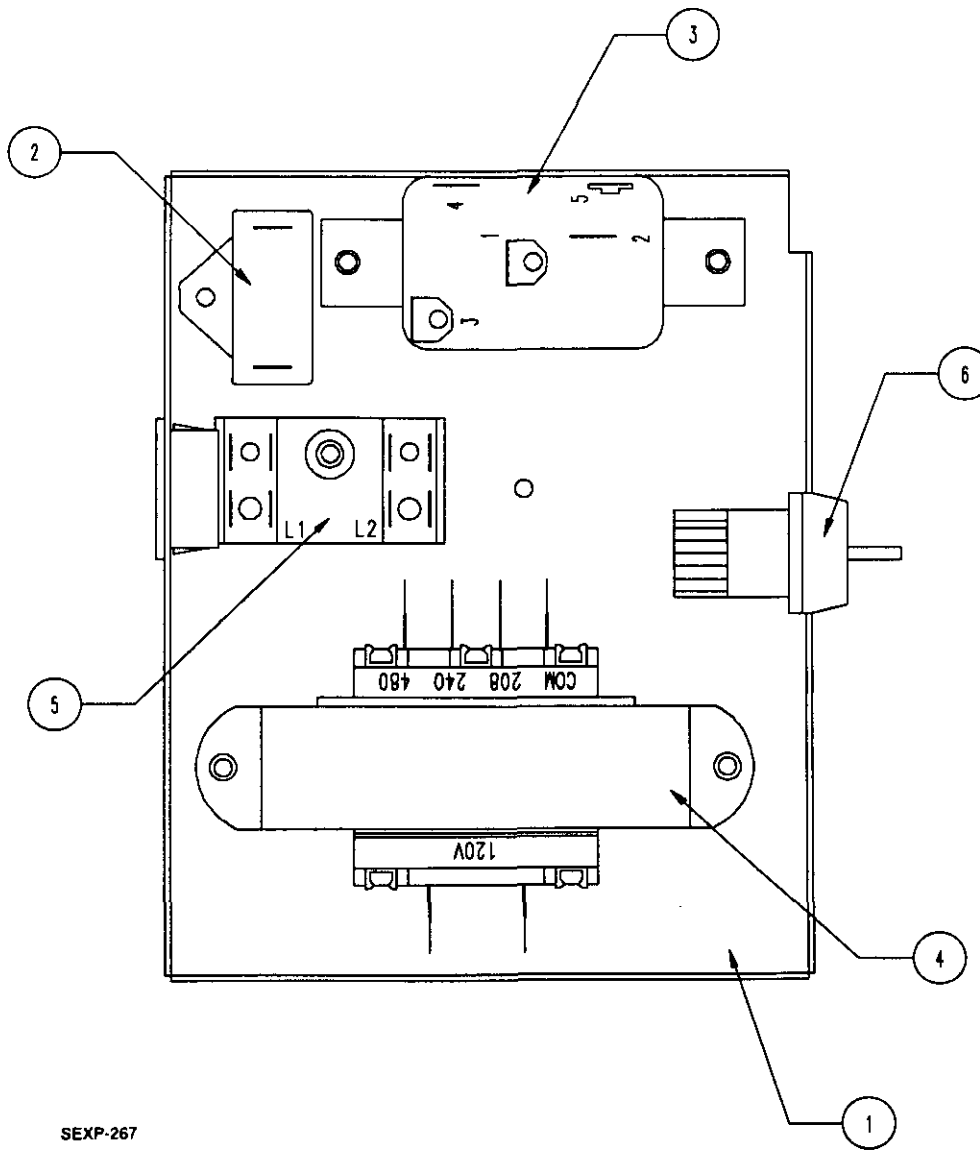
Drawing No.	Part No.	Description	WERV-A2B	WERV-A3B	WERV-C3B	WERV-A5B	WERV-C5B
1	S552-229-*	Service Door		X	X		
1	S552-231-*	Service Door				X	X
1	S552-236-*	Service Door	X				
2	7003-033	Mist Eliminator		X	X		
2	7003-035	Mist Eliminator				X	X
2	7003-034	Mist Eliminator	X				
3	8611-057	Bushing	2	2	2	2	2
4	8611-059	Canoe Clip	2	2	2	2	2
5	962033	Beige Rain Hood Complete with Mist Eliminator		X	X		
5	962034	White Rain Hood Complete with Mist Eliminator		X	X		
5	962035	Mesa Tan Rain Hood Complete with Mist Eliminator		X	X		
5	962036	Colonial White Rain Hood Complete w/Mist Eliminator		X	X		
5	962037	Buckeye Gray Rain Hood Complete w/Mist Eliminator		X	X		
5	962040	Beige Rain Hood Complete with Mist Eliminator				X	X
5	962041	White Rain Hood Complete with Mist Eliminator				X	X
5	962042	Mesa Tan Rain Hood Complete with Mist Eliminator				X	X
5	962043	Colonial White Rain Hood Complete w/Mist Eliminator				X	X
5	962044	Buckeye Gray Rain Hood Complete w/Mist Eliminator				X	X
5	962049	Beige Rain Hood Complete with Mist Eliminator	X				
5	962050	White Rain Hood Complete with Mist Eliminator	X				
5	962051	Mesa Tan Rain Hood Complete with Mist Eliminator	X				
5	962052	Colonial White Rain Hood Complete w/Mist Eliminator	X				
5	962053	Buckeye Gray Rain Hood Complete w/Mist Eliminator	X				



SEXP-189

# CONTROL PANEL

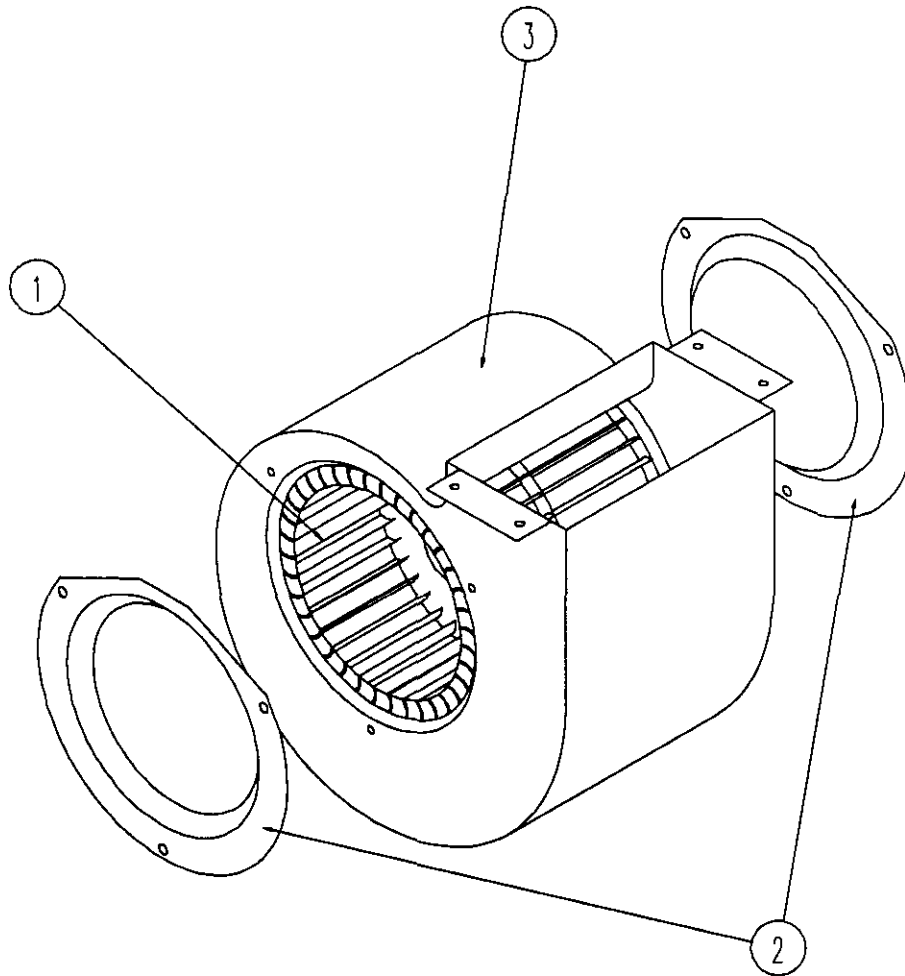
Drawing No.	Part No.	Description	WERV-A2B	WERV-A3B	WERV-C3B	WERV-A5B	WERV-C5B
1	117-201	Control Panel	X	X	X		
1	117-202	Control Panel				X	X
2	8552-060	Cassette Motor Capacitor	1				
2	8552-070	Cassette Motor Capacitor		1	1	1	1
3	8201-008	Blower Relay	X	X		X	
3	8201-032	Blower Relay			X		X
4	8407-043	Transformer	X	X	X	X	X
5	400-0087	Terminal Block	X	X	X	X	X
6	8604-074	Switch	1	1		1	



SEXP-267

# BLOWER ASSEMBLY

Drawing No.	Part No.	Description	ALL MODELS
1	5152-078	Blower Wheel	X
2	5152-080	Inlet Ring	X
3	5152-079	Blower Housing	X



SEXP-218

