
Replacement Parts Manual

TEC 20 ELECTRONIC CONTROLLER

General Notes

- Revised and/or additional pages may be issued from time to time.
- A complete and current manual consists of pages shown in the following contents section.

Contents

Description	Page
Functional and Cabinet Components	
♦ Exploded View	1
♦ Usage List	2

Important

- Contact the installing and/or local Bard distributor for all parts requirements. Make sure you have the complete model and serial number available from the unit rating plates.



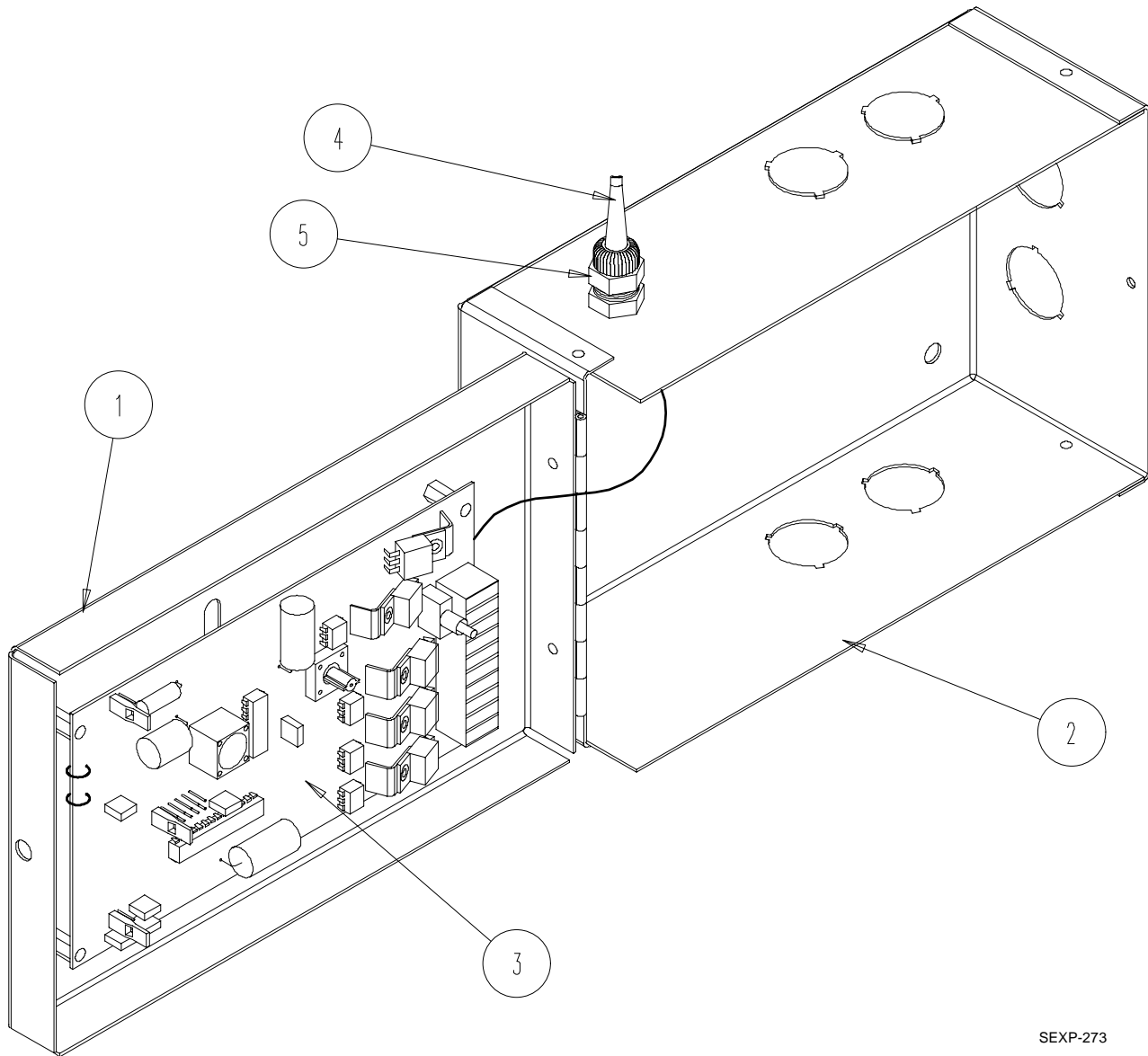
BARD MANUFACTURING COMPANY
Bryan, Ohio 43506

Since 1914...Moving, ahead just as planned.

Manual: 2110-670
Rev: 06-17-97
Date: 06-17-97

FUNCTIONAL and CABINET COMPONENTS

Drawing No.	Part No.	Description	TEC20
1	133-150	Top	X
2	127-280	Base	X
3	8612-017	Control	X
4	8408-035	Sensor	X
5	8611-099	Fitting	X



SEXP-273