
Replacement Parts Manual

ECONOMIZER WITH EXHAUST MODEL: QEFM-4

General Notes

- Revised and/or additional pages may be issued from time to time.
- A complete and current manual consists of pages shown in the following contents section.

Contents

<u>Description</u>	<u>Page</u>
Functional & Cabinet Components	
♦ Exploded View	1
♦ Usage List	2

Important

- Contact the installing and/or local Bard distributor for all parts requirements. Make sure you have the complete model and serial number available from the unit rating plates.

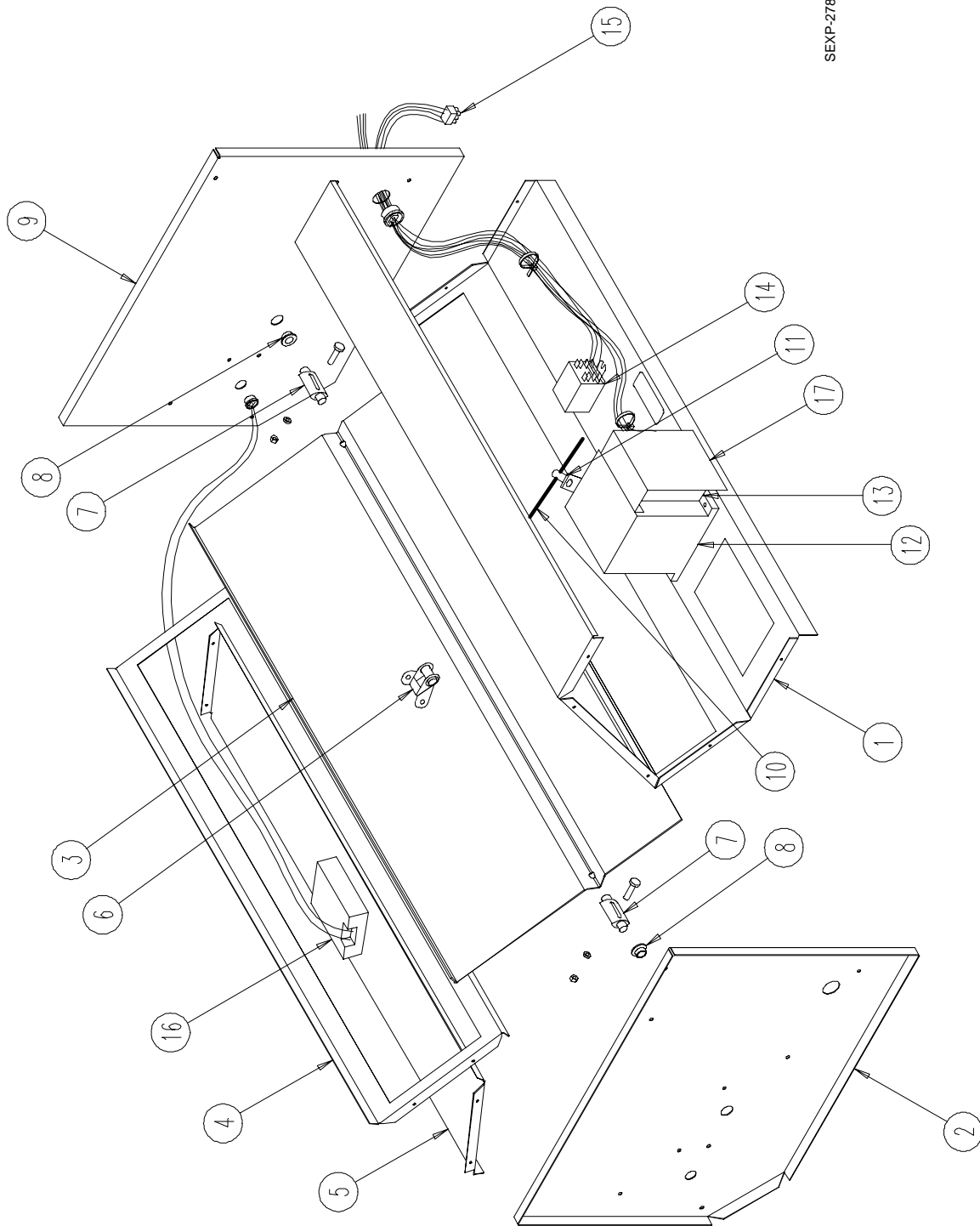


BARD MANUFACTURING COMPANY
Bryan, Ohio 43506

Since 1914...Moving ahead, just as planned.

Manual: 2110-671
File: Vol. II Tab 14
Date: 10-15-97

FUNCTIONAL and CABINET COMPONENTS



SEXP-278

FUNCTIONAL and CABINET COMPONENTS

Drawing No.	Part No.	Description	QEFM-4
1	137-370	Front Fill	X
2	100Y346	Left End	X
3	139-116	Blade	X
4	137-369	Rear Fill	X
5	127-279	Base	X
6	8602-040	Bracket	X
7	8602-038	Damper Blade Pin	X
8	8602-039	Bushing	X
9	100X346	Right End	X
10	8602-044	Rod	X
11	8602-008	Ball Joint	X
12	8602-017	Damper Motor	X
13	8602-045	Economizer Logic Module	X
14	8201-048	Relay	X
15	3000-1074	Wire Harness	X
16	8602-046	Enthalpy Sensor	X
17	134-168	Wire Shield	X
NS	8602-018	Mixed Air Thermistor	X
NS	4056-162	Wiring Diagram	X

NS = Not Shown