
Replacement Parts Manual

Economizer

Model: EIFMC-2

General Notes

- Revised and/or additional pages may be issued from time to time.
- A complete and current manual consists of pages shown in the following contents section.

Important

- Contact the installing and/or local Bard distributor for all parts requirements. Make sure you have the complete model and serial number available from the unit rating plates.

Contents

Description	Page
Intake Assembly Components	
• Exploded View	1
• Usage List	2
Exhaust Assembly Components	
• Exploded View	3
• Usage List	4

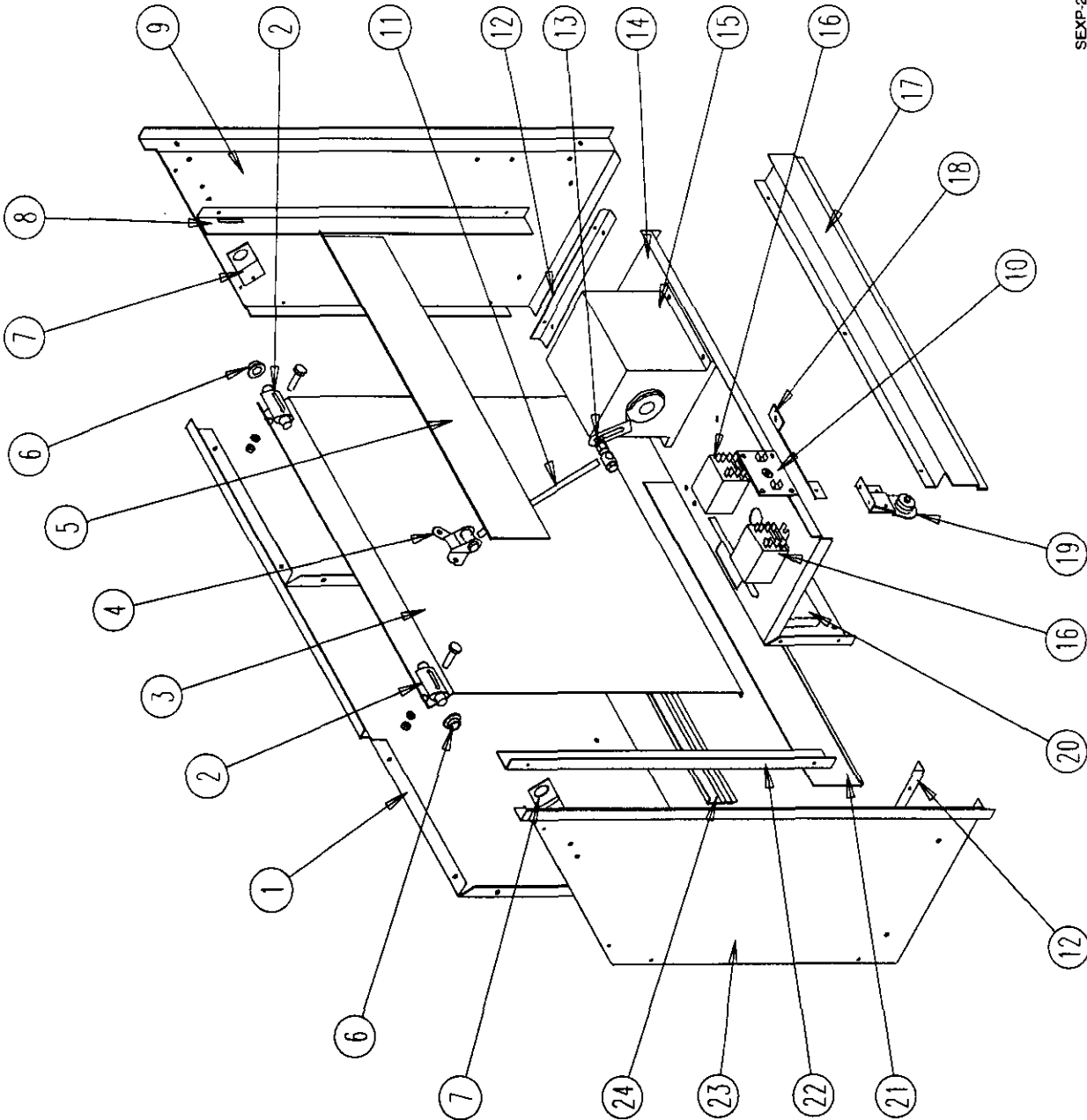


BARD MANUFACTURING COMPANY
Bryan, Ohio 43506

Since 1914...Moving ahead, just as planned.

Manual: 2110-673
Ref: Vol III Tab 19
Date: 04-23-98

INTAKE ASSEMBLY COMPONENTS



SEXP-285

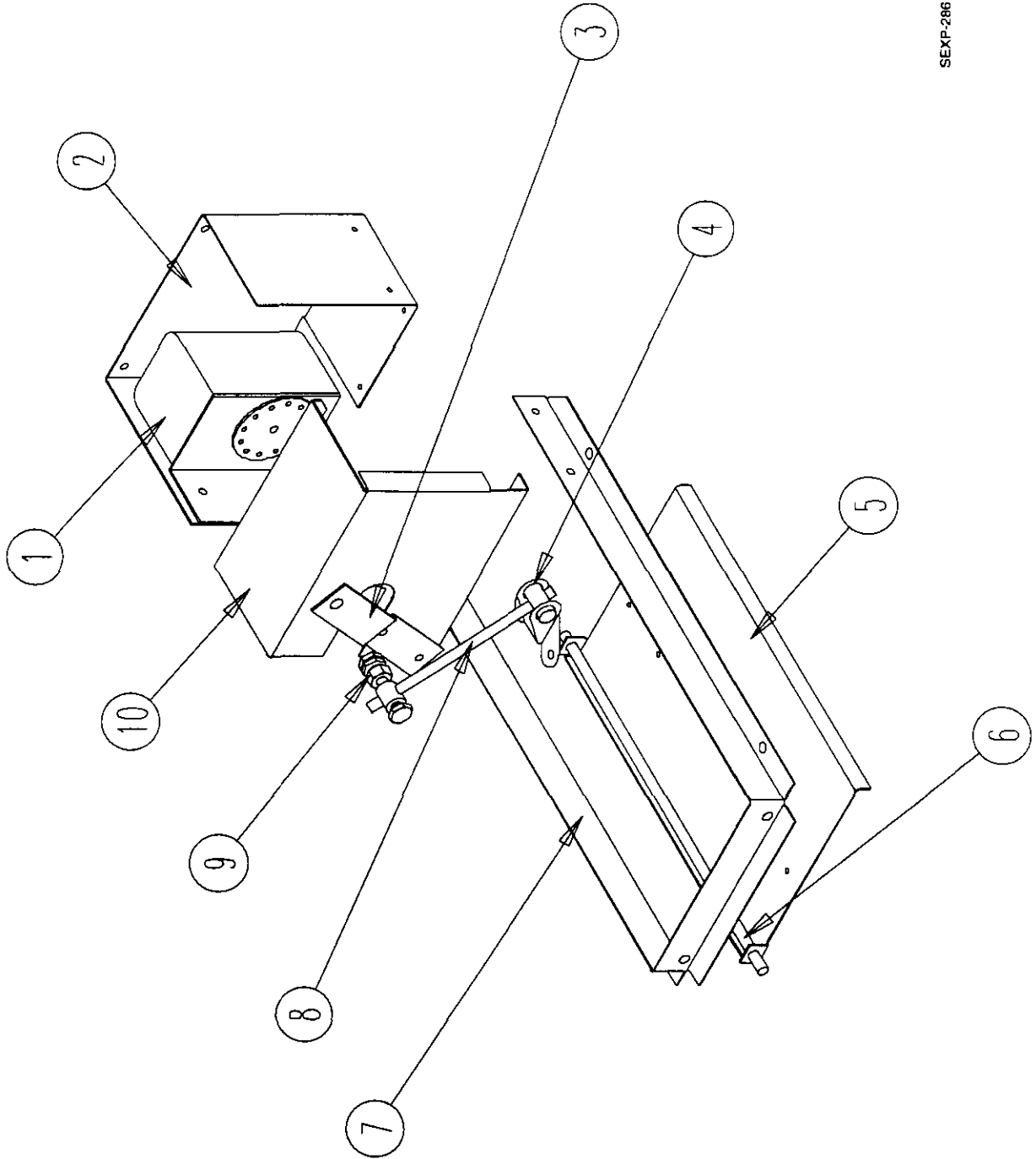
INTAKE ASSEMBLY COMPONENTS

Drawing No	Part No.	Description	Intake Assembly
1	114-122-* (1)	Front	X
2	8602-038	Damper Blade Fin	2
3	138-122	Blade	X
4	8602-040	Bracket	X
5	104-1020	Top Seal Angle	X
6	8602-039	Bushing	2
7	112-242	Blade Bracket	2
8	104Y1018	Left Side Angle	X
9	100-352-* (1)	Left Side	X
10	8602-018	Thermistor	X
11	8602-044	Rod	X
12	104-1019	Filter Angle	2
13	8602-008	Ball Joint	X
14	116-208	Control Mounting Plate	X
15	8602-017	Damper Motor	X
16	8201-048	Control Relay	2
17	134-169-* (1)	Rain Shield	X
18	140-259	Support Bracket	X
19	8602-019	Minimum Position Pot.	X
20	8602-025	Enthalpy Control	X
21	138-127-* (1)	Filter Door	X
22	104X1018	Right Side Angle	X
23	100-351-* (1)	Right Side	X
24	104-1021	Filter Offset	X
NS	7003-047	Mist Eleminator	X
NS	8602-041	Terminal Cover	X
NS	4056-170	Wiring Diagram	X

- (1) Exterior cabinet parts are manufactured with various color options. To insure that you receive the proper paint color, you must include the complete model and serial number of the unit for which cabinet parts are being ordered.

NS = Not Shown

EXHAUST ASSEMBLY COMPONENTS



SEXP-286