

---

# Replacement Parts Manual

# ADJUSTABLE FRESH AIR DAMPER

MODELS:     **AFAD-2**  
              **AFAD-3**  
              **AFAD-5**

---

## General Notes

- Revised and/or additional pages may be issued from time to time.
- A complete and current manual consists of pages shown in the following contents section.

## Contents

<i>Description</i>	<i>Page</i>
Functional and Cabinet Components	
♦ Exploded View .....	2
♦ Exploded View .....	3
♦ Usage List .....	4

## Important

- Contact the installing and/or local Bard distributor for all parts requirements. Make sure you have the complete model and serial number available from the unit rating plates.

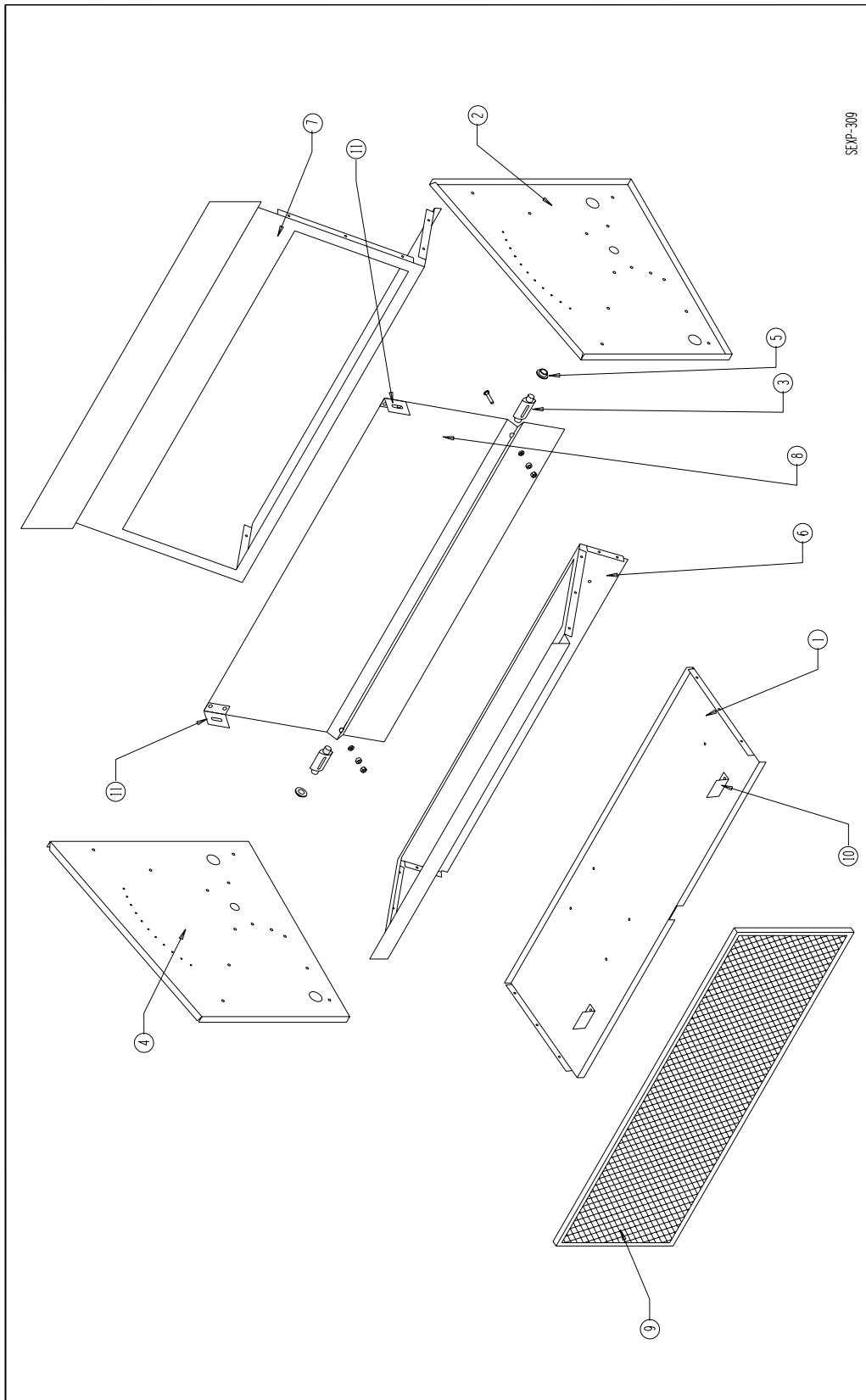


**Climate Control Solutions**

Bard Manufacturing Company, Inc.  
Bryan, Ohio 43506  
*Since 1914 . . . Moving ahead, just as planned.*

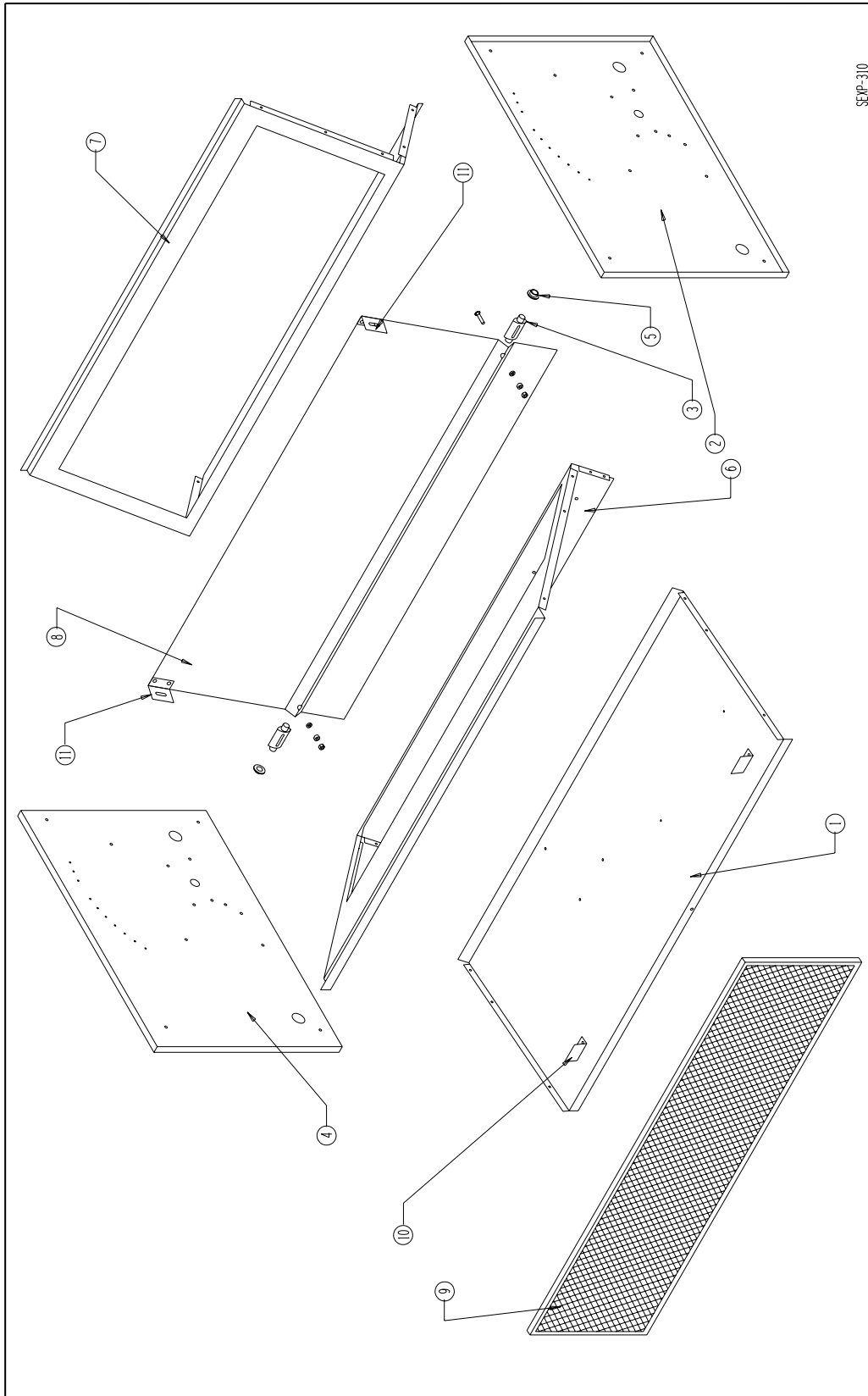
Manual:       2110-674A  
Supersedes:   **NEW**  
File:         Vol. II Tab 14  
Date:         09-23-09

# FUNCTIONAL and CABINET COMPONENTS – AFAD-2 & AFAD-3



**This Exploded View referenced in Table on Page 4**

# FUNCTIONAL and CABINET COMPONENTS – AFAD-5



**This Exploded View referenced in Table on Page 4**

# CABINET & FUNCTIONAL COMPONENTS – AFAD-2, AFAD-3 & AFAD-5

Drawing No.	Part No.	Description	AFAD-2	AFAD-3	AFAD-5
1	127-213	Base	X		
1	127-212	Base		X	
1	127-215	Base			X
2	100X245	Right End	X	X	
2	100X263	Right End			X
3	8602-038	Damper Blade Pin	X	X	X
4	100Y245	Left End	X	X	
4	100Y263	Left End			X
5	8602-039	Bronze Bushing	2	2	2
6	137-187	Front Fill	X		
6	137-178	Front Fill		X	
6	137-218	Front Fill			X
7	137-188	Return Air Fill	X		
7	137-179	Return Air Fill		X	
7	137-217	Return Air Fill			X
8	139-054	Damper Blade	X		
8	139-053	Damper Blade		X	
8	139-067	Damper Blade			X
9	7003-034	Mist Eliminator	X		
9	7003-033	Mist Eliminator		X	
9	7003-035	Mist Eliminator			X
10	131-095	Filter Stop	2	2	2
11	105-1044	Adjustment Angles	2	2	2

This Table references Exploded Views on Pages 2 & 3