
Replacement Parts Manual

ADJUSTABLE FRESH AIR DAMPER

MODELS: AFAD-3
AFAD-5

General Notes

- Revised and/or additional pages may be issued from time to time.
- A complete and current manual consists of pages shown in the following contents section.

Contents

<u>Description</u>	<u>Page</u>
Functional and Cabinet Components	
• Exploded View	1
• Exploded View	2
• Usage List	3

Important

- Contact the installing and/or local Bard distributor for all parts requirements. Make sure you have the complete model and serial number available from the unit rating plates.

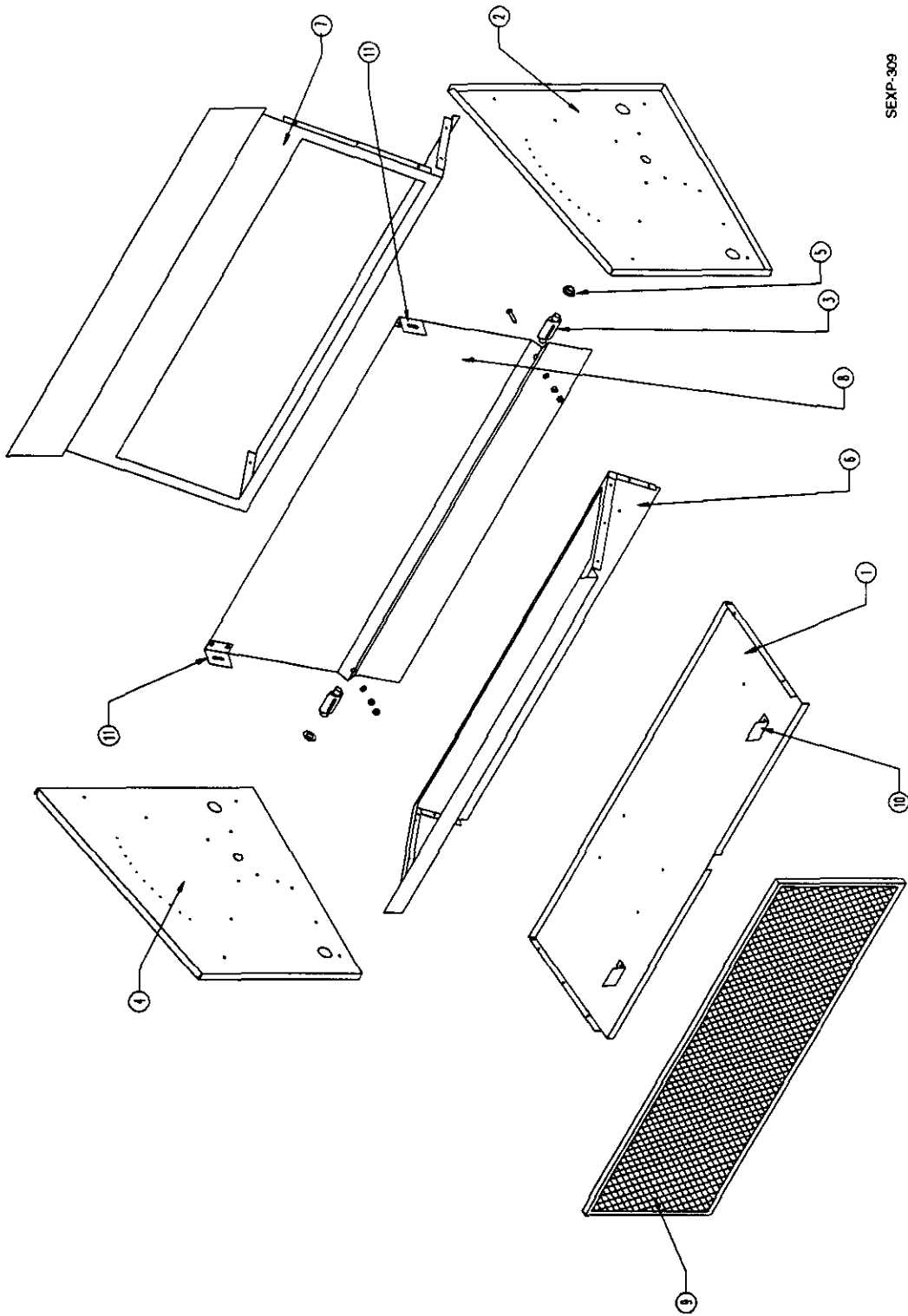


BARD MANUFACTURING COMPANY
Bryan, Ohio 43506

Since 1914...Moving ahead, just as planned.

Manual: 2110-674
File: Tab 19
Date: 08-28-98

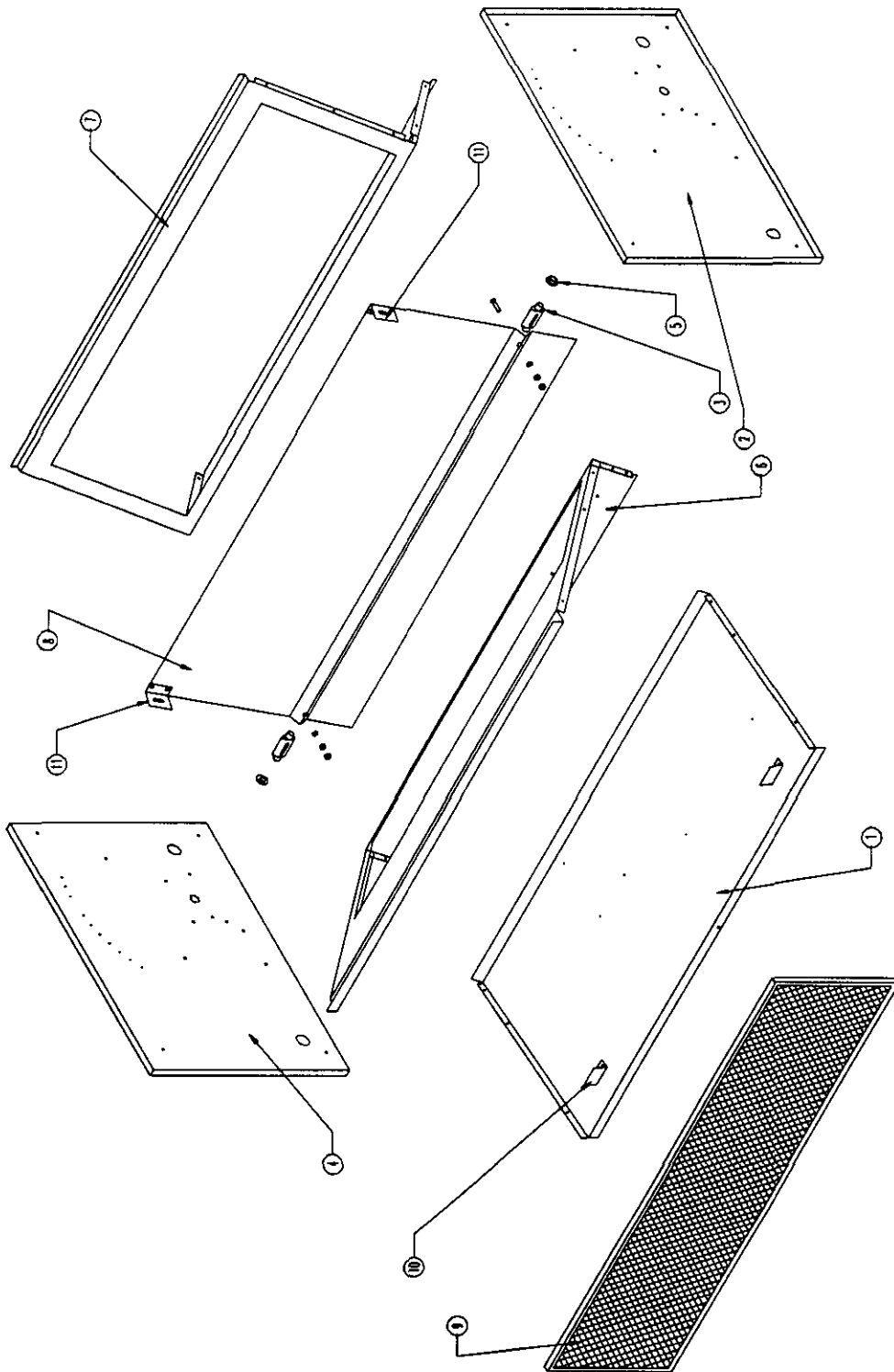
FUNCTIONAL and CABINET COMPONENTS – AFAD-3



This Exploded View referenced in Table on Page 3

FUNCTIONAL and CABINET COMPONENTS – AFAD-5

SEXP-310



This Exploded View referenced in Table on Page 3

CABINET and FUNCTIONAL COMPONENTS – AFAD-3 and AFAD-5

Drawing No.	Part No.	Description	AFAD-3	AFAD-5
1	127-215	Base		X
1	127-212	Base	X	
2	100X263	Right End		X
2	100X245	Right End	X	
3	8602-038	Damper Blade Pin	X	X
4	100Y263	Left End		X
4	100Y245	Left End	X	
5	8602-039	Bronze Bushing	2	2
6	137-218	Rear Fill		X
6	137-178	Rear Fill	X	
7	137-217	Return Air Fill		X
7	137-179	Return Air Fill	X	
8	139-067	Damper Blade		X
8	139-053	Damper Blade	X	
9	7003-035	Mist Eliminator		X
9	7003-033	Mist Eliminator	X	
10	131-095	Filter Stop	2	2
11	105-1044	Adjustment Angles	2	2

This Table references Exploded Views on Pages 1 and 2