

REPLACEMENT PARTS MANUAL

MOBILE HOME HEAT PUMP MODELS MH30B, MH36B, MH42B

Manual 2110-677

Revision --

Date 8-08-89

Supersedes

* GENERAL NOTES *

*Revised and/or additional pages may be issued from time to time.
*A complete and current manual consists of pages dated as shown in the following index.

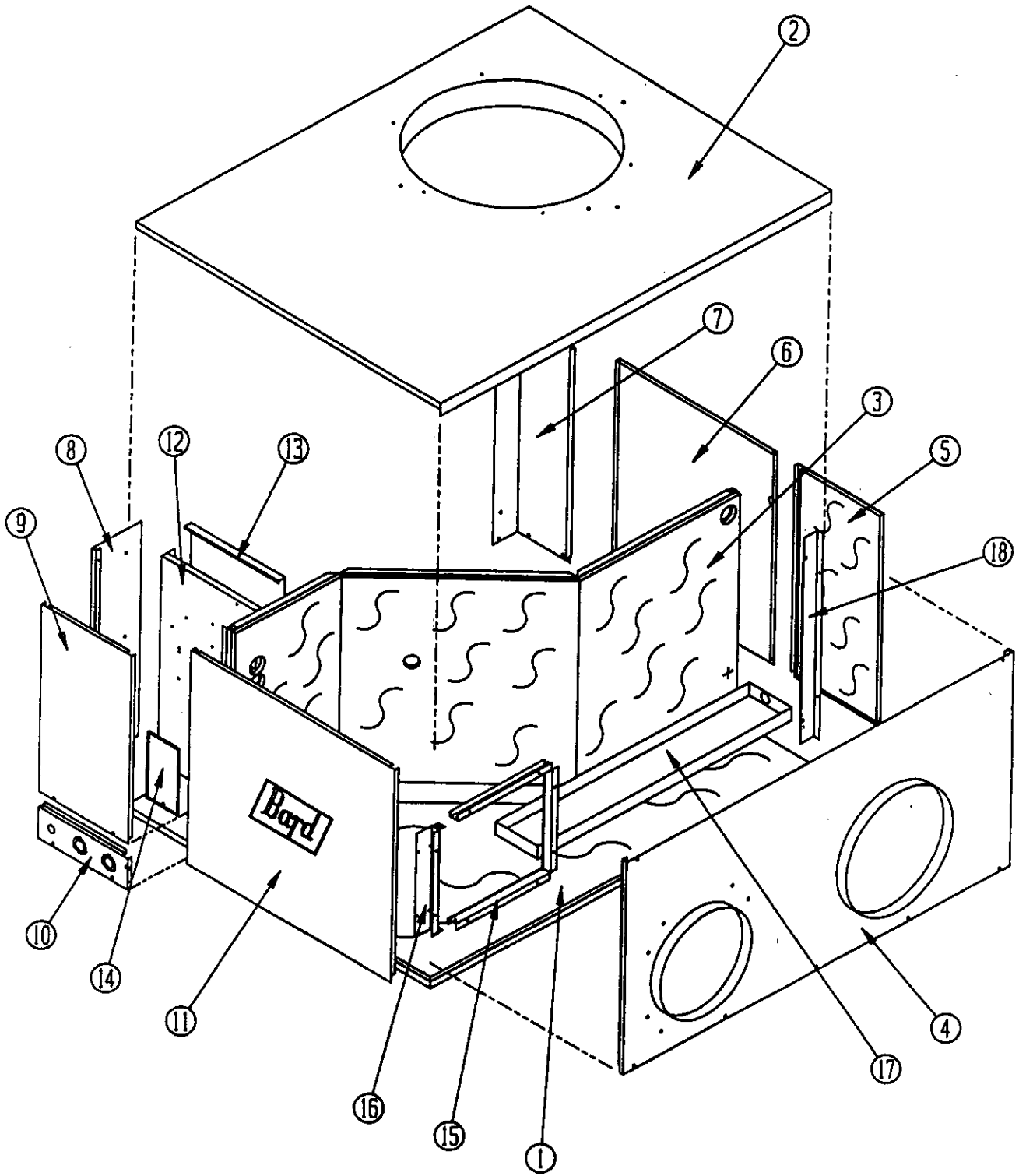
** INDEX **

<u>Page Description</u>	<u>Page</u>	<u>Date</u>	<u>Supersedes</u>
Cabinet Components--Exploded View	1	8-08-89	
" "--Usage List	2	8-08-89	
Functional Components--Exploded View	3	8-08-89	
" "--Usage List	4	8-08-89	
Control Panel--Layout	5	8-08-89	
--Usage List	6	8-08-89	

*** IMPORTANT ***

Contact the installing and/or local Bard distributor for all parts requirements. Make sure you have the complete model and serial number available from the unit rating plate.

CABINET COMPONENTS



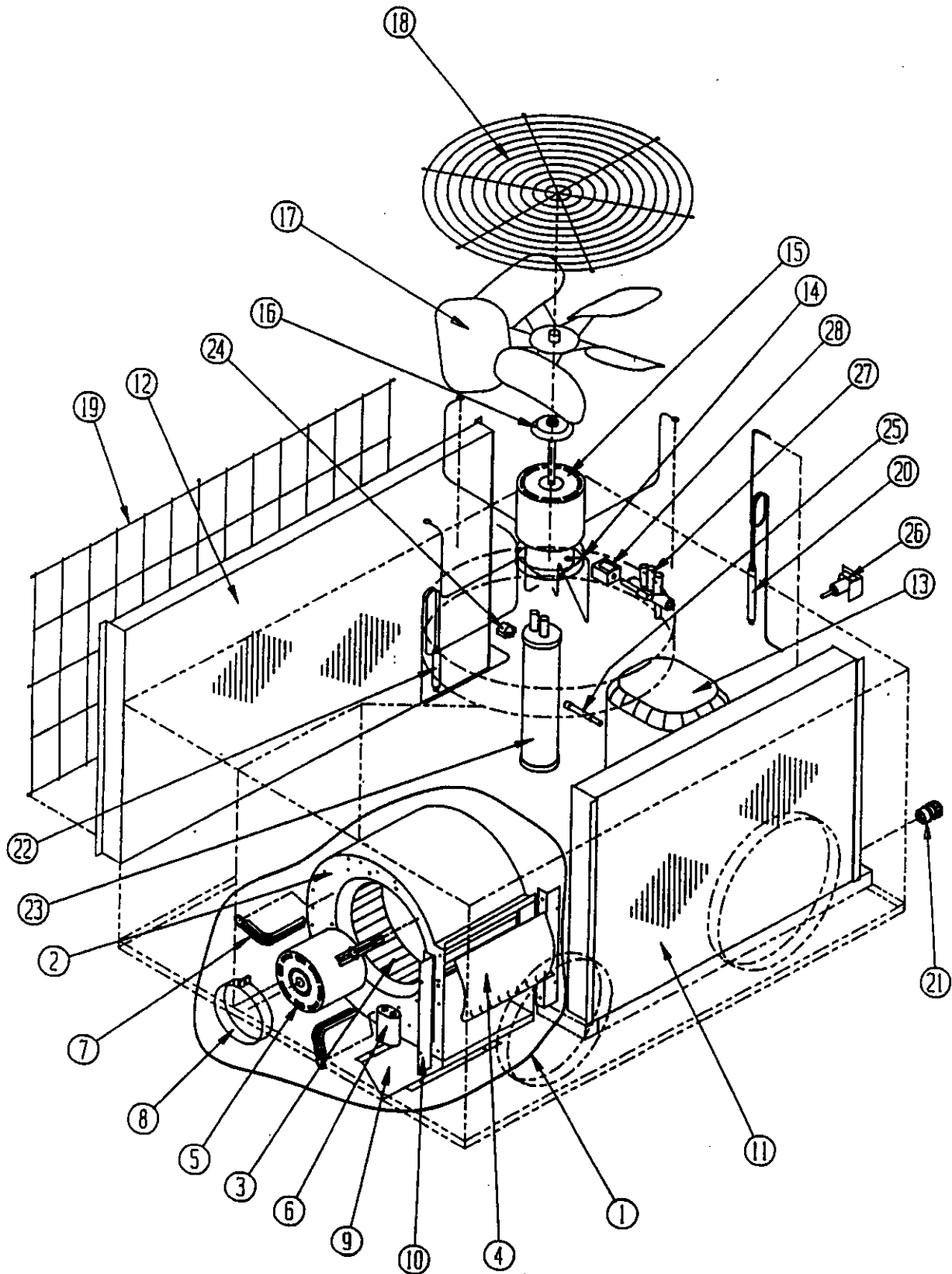
Date: 8-08-89
Supersedes:

CABINET COMPONENTS

Dwg. No.	Part No.	Description	U S A G E
1	527-013	Lower Base	X
2	507-013	Top	X
3	520-016	Partition	X
4	515-008	Front	X
5	500-121	Drain End Panel	X
6	152-108	Compressor Access Door	X
7	148-120	Condenser Corner	X
8	148-121	Left Rear Corner	X
9	132-014	Control Panel Cover	X
10	156-008	Entrance Panel	X
11	552-009	Blower Service Panel	X
12	Cntrl Pnl Assembly	See Control Panel Assembly Drawing and Parts List	X
13	134-027	Wire Shield	X
14	132-015	Circuit B Control Panel Cover	X
15	144-043	Blower Slide	X
16	144-044	Blower Slide End	X
17	123-042	Drain Pan	X
18	137-016	Evap Coil Fill (MU30A Only)	X

Date: 8-08-89
Supersedes:

FUNCTIONAL COMPONENTS



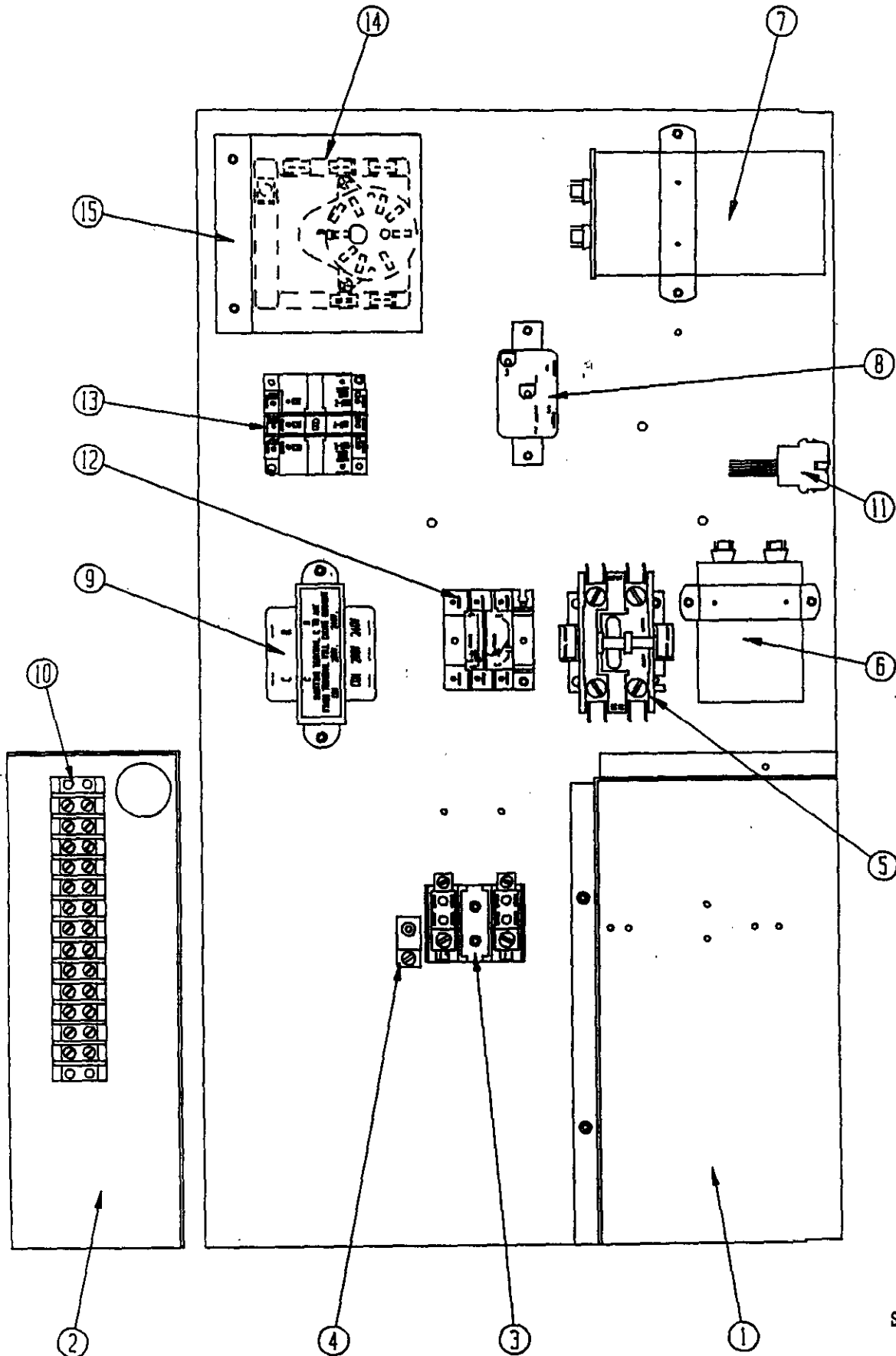
Date: 8-08-89
Supersedes:

FUNCTIONAL COMPONENTS

Dwg. No.	Part No.	Description	ME30B	ME36B	ME42B
1	900-124	Complete Blower Assembly	X	X	X
2	151-071	Blower Housing	X	X	X
3	5152-013	Blower Wheel	X	X	X
4	144-126	Diffuser	X	X	X
5	8105-024	Motor	X	X	X
6	8552-002	Capacitor	X	X	X
7	8200-034	Motor Mount Arm	3	3	3
8	8200-033	Motor Mount Band	X	X	X
9	144-016	Blower Leg	X	X	X
10	104-781	Blower Angle	X	X	X
11	5060-030	Evaporator Coil	X		X
11	5060-033	Evaporator Coil		X	
12	5051-033	Condenser Coil	X	X	
12	5051-031	Condenser Coil			X
13	8000-080	Compressor	X		
13	8000-058	Compressor		X	
13	8000-081	Compressor			X
14	8200-022	Fan Motor Mount	X	X	X
15	8105-023	Motor	X	X	X
16	5153-022	Rain Shield	X	X	X
17	5151-028	Fan Blade	X	X	X
18	7051-014	Fan Guard	X	X	X
19	7051-016	Condenser Grille	X	X	X
20	800-0108	Heating Capillary Assembly	X		X
20	800-0109	Heating Capillary Assembly		X	
21	6094-003	Secondary Drain Fitting	X	X	X
22	800-0105	Cooling Capillary Assembly	X		
22	800-0106	Cooling Capillary Assembly		X	
22	800-0107	Cooling Capillary Assembly			X
23	5202-014	Accumulator	X		
23	5202-015	Accumulator		X	
23	5202-016	Accumulator			X
24	8408-016	Defrost Thermostat	X	X	X
25	5651-036	Check Valve	X	X	X
26	8406-022	High Pressure Switch	X	X	X
27	5650-005	Reversing Valve	X		
27	5650-009	Reversing Valve		X	
27	5650-006	Reversing Valve			X
28	5650-012	Solenoid Coil	X	X	X

Date: 8-08-89
Supersedes:

CONTROL PANEL



Date: 8-08-89
Supersedes:

CONTROL PANEL

Dwg. No.	Part No.	Description	MH30B	MH36B	MH42B
1	116-024	Control Panel	X	X	X
2	116-025	Low Voltage Box	X	X	X
3	8607-013	Terminal Block	X	X	X
4	8611-006	Ground Terminal	X	X	X
5	8401-007	Compressor Contactor	X	X	
5	8401-003	Compressor Contactor			X
6	8552-002	Capacitor 5/370	X	X	X
7	8552-007	Capacitor 20/15-370	X		
7	8552-028	Capacitor 35/440		X	
7	8552-030	Capacitor 40/440			X
8	8201-008	Blower Relay	X	X	X
9	8407-035	Transformer	X	X	X
10	8607-010	Terminal Strip	X	X	X
11	3000-914	Wire Assembly	X	X	X
12	8201-013	Emergency Heat Relay	X	X	X
13	8201-047	Defrost Relay	X	X	X
14	8612-012	Timer	X	X	X
15	112-020	Timer Bracket	X	X	X
	4059-110	Wiring Diagram	X		
	4059-120	Wiring Diagram		X	X

Date: 8-08-89
Supersedes:

