
REPLACEMENT PARTS MANUAL

ECONOMIZER

MODELS: EIFM-2B
EIFM-3B
EIFM-5B

General Notes

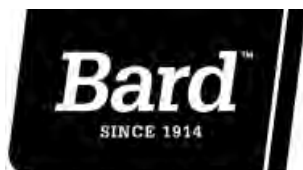
- Revised and/or additional pages may be issued from time to time.
- A complete and current manual consists of pages shown in the following contents section.

Contents

Description	Page
Functional and Cabinet Components	
♦ Exploded View	1
♦ Exploded View	2
♦ Exploded View	3
♦ Usage List	4

Important

- Contact the installing and/or local Bard distributor for all parts requirements. Make sure you have the complete model and serial number available from the unit rating plates.

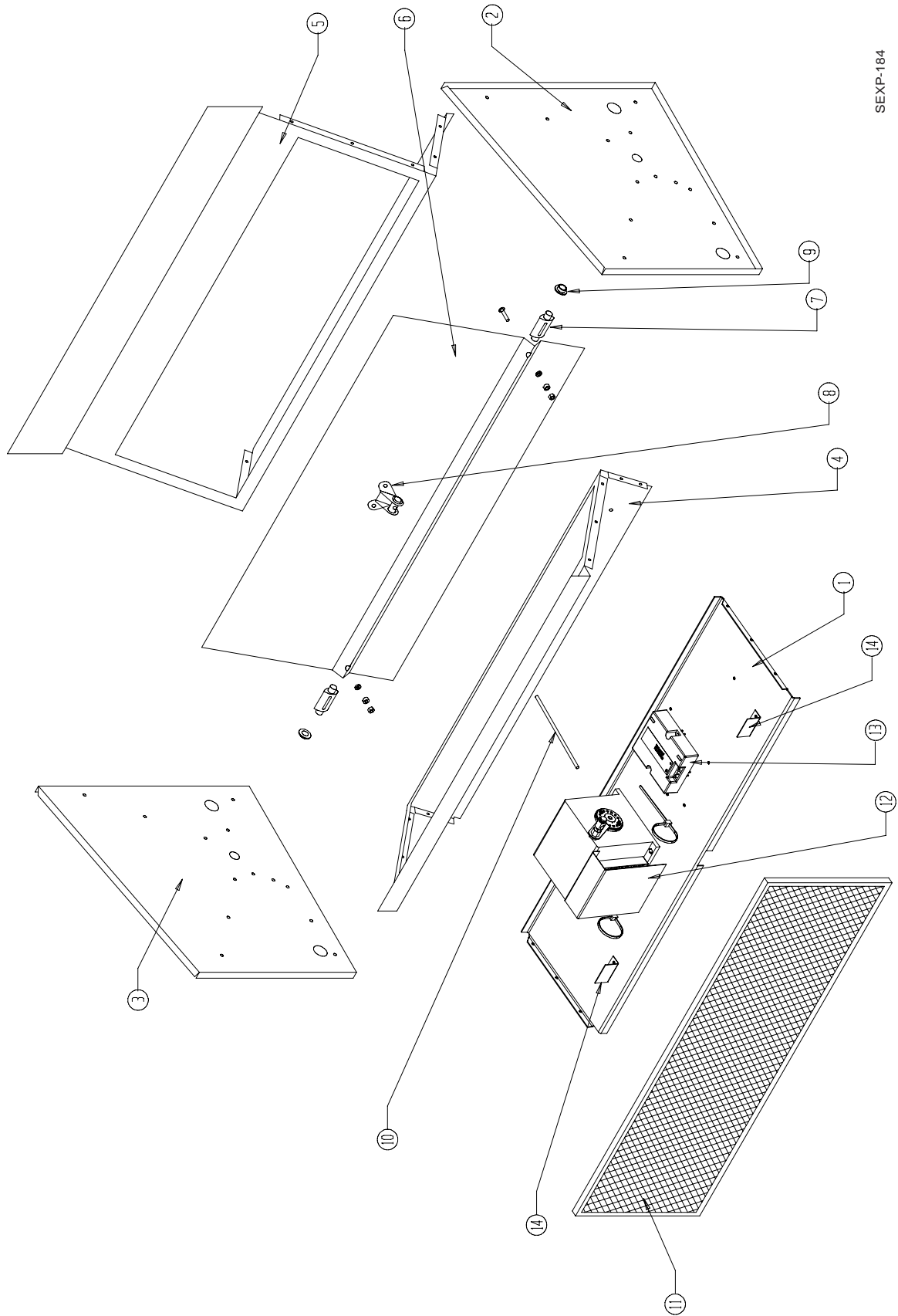


Bard Manufacturing Company, Inc.
Bryan, Ohio 43506
Since 1914...Moving ahead, just as planned.

Manual: 2110-678
Supersedes:
File: Vol III Tab 19
Date: 04-26-2001

FUNCTIONAL and CABINET COMPONENTS

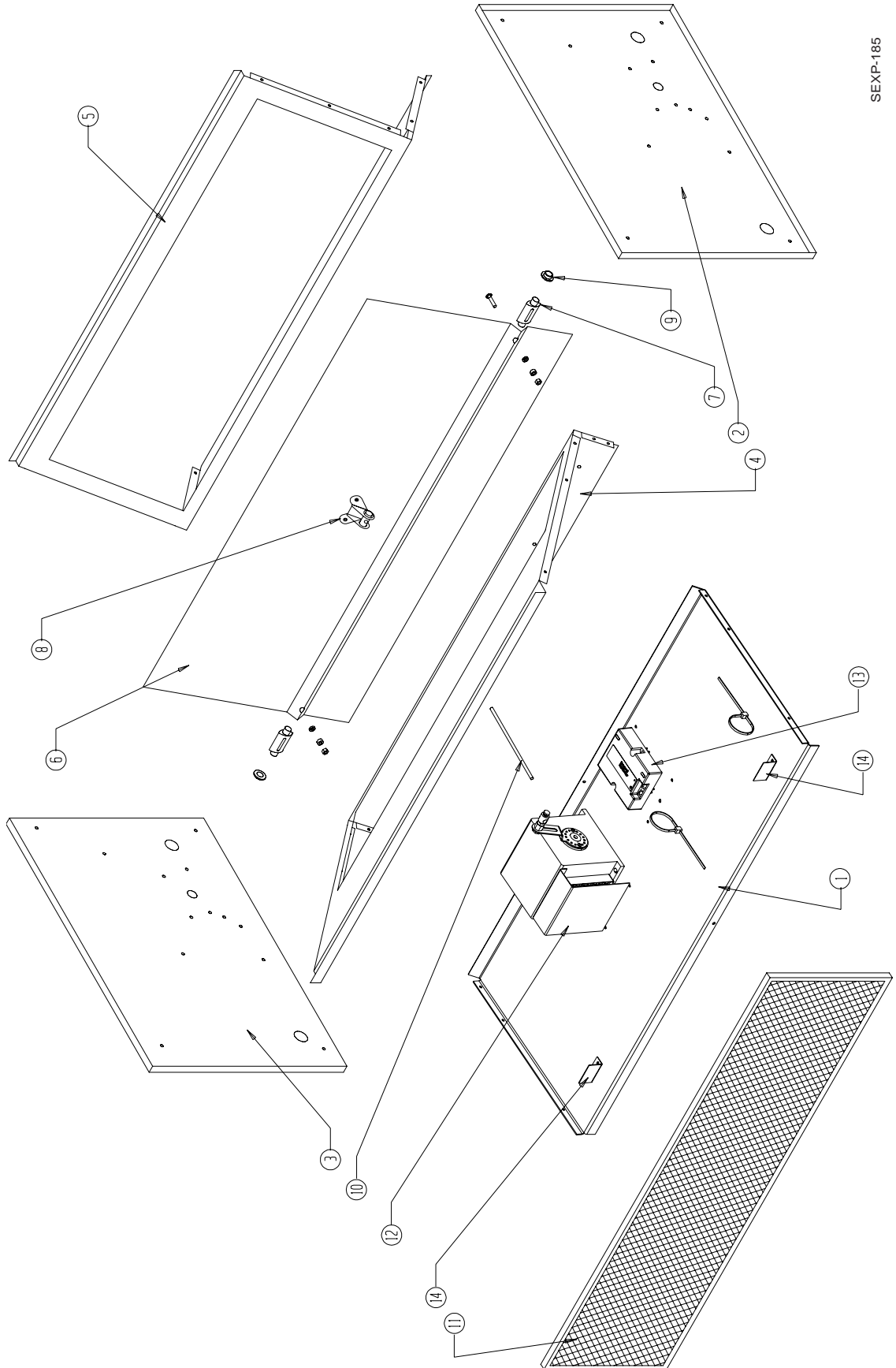
EIFM-2B and EIFM-3B



SEXP-184

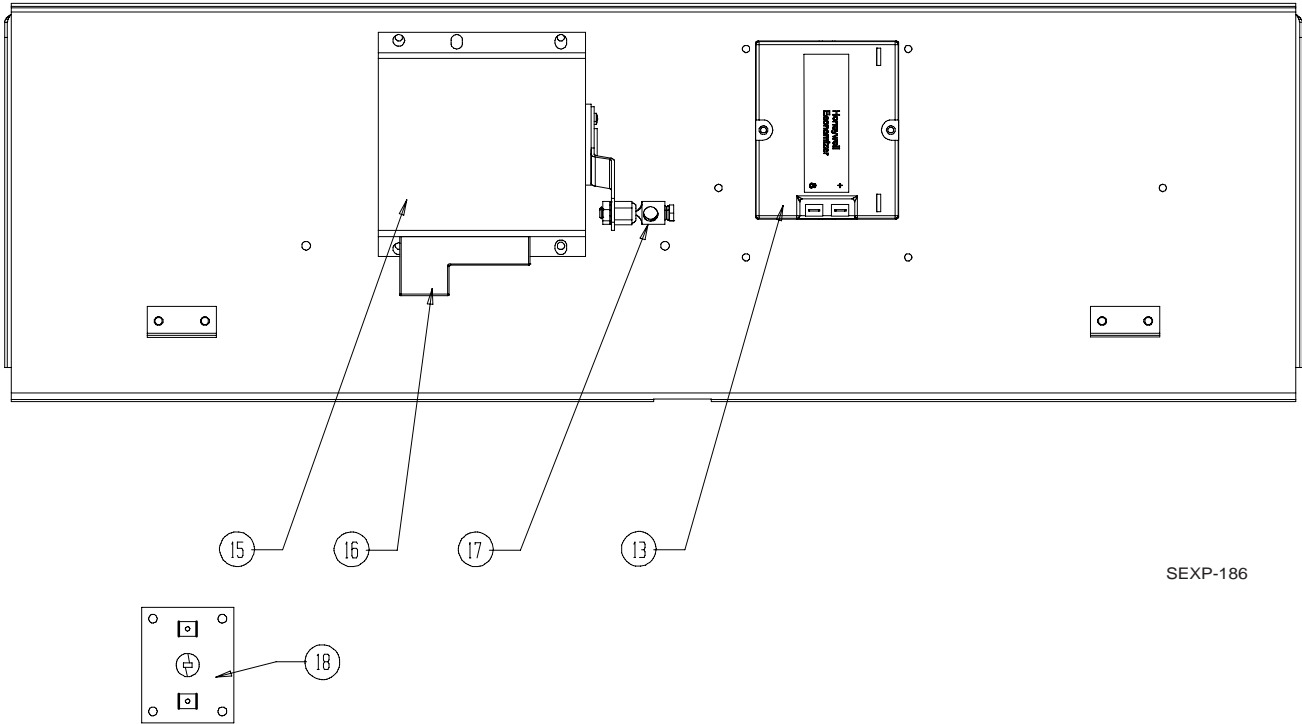
FUNCTIONAL and CABINET COMPONENTS

EIFM-5B



SEXP-185

FUNCTIONAL and CABINET COMPONENTS



SEXP-186

FUNCTIONAL and CABINET COMPONENTS

Drawing No.	Part No.	Description	EIFM-2B	EIFM-3B	EIFM-5B
1	127-213	Base	X		
1	127-212	Base		X	
1	127-215	Base			X
2	100X245	Right End	X	X	
2	100X263	Right End			X
3	100Y245	Left End	X	X	
3	100Y263	Left End			X
4	137-218	Rear Fill			X
4	137-178	Rear Fill		X	
4	137-187	Rear Fill	X		
5	137-217	Return Fill			X
5	137-179	Return Fill		X	
5	137-188	Return Fill	X		
6	139-067	Damper Blade			X
6	139-053	Damper Blade		X	
6	139-054	Damper Blade	X		
7	8602-038	Damper Blade Pin	X	X	X
8	8602-040	Bracket	X	X	X
9	8602-039	Bronze Bushing	X	X	X
10	8602-042	Rod	X	X	X
11	7003-033	Mist Eliminator		X	
11	7003-034	Mist Eliminator	X		
11	7003-035	Mist Eliminator			X
12	134-168	Shield	X	X	X
13	8602-046	Enthalpy Sensor	X	X	X
14	131-095	Filter Stop	X	X	X
15	8602-037	Damper Motor			
16	8602-053	Economizer Logic Control	X	X	X
17	8602-008	Ball Joint	X	X	X
18	8602-018	Thermistor	X	X	X
NS	4096-135	Wring Diagram	X	X	X

NS = Not Shown