

---

# REPLACEMENT PARTS MANUAL

# ECONOMIZER WITH EXHAUST MODEL: QEFM-5

---

## General Notes

- Revised and/or additional pages may be issued from time to time.
- A complete and current manual consists of pages shown in the following contents section.

## Contents

<u>Description</u>	<u>Page</u>
Functional & Cabinet Components	
♦ Exploded View .....	1
♦ Usage List .....	2

## Important

- Contact the installing and/or local Bard distributor for all parts requirements. Make sure you have the complete model and serial number available from the unit rating plates.



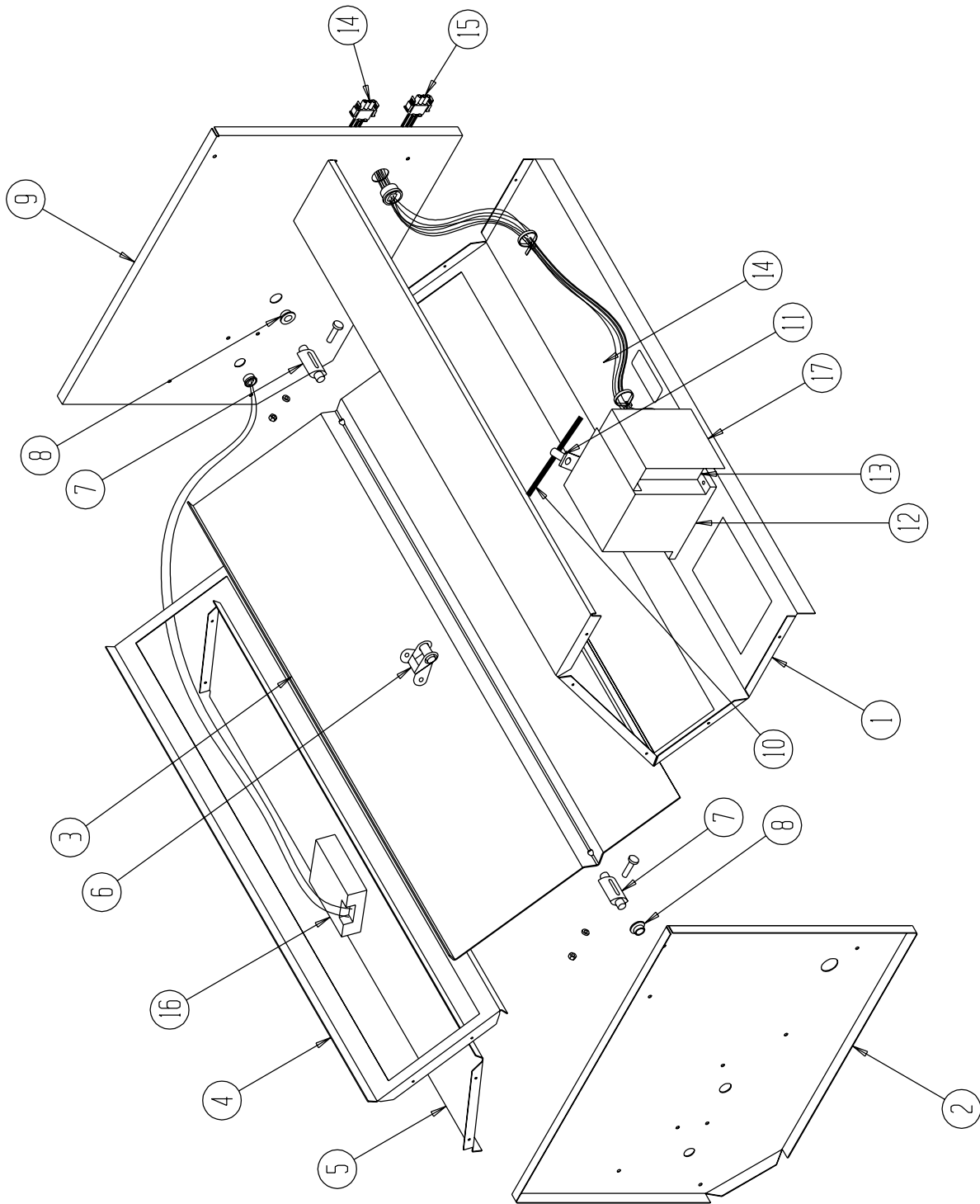
BARD MANUFACTURING COMPANY  
Bryan, Ohio 43506  
*Since 1914...Moving ahead, just as planned.*

Manual: 2110-681  
Supersedes:  
File: Tab 14  
Date: 08-25-03

---

# FUNCTIONAL and CABINET COMPONENTS

---



## FUNCTIONAL and CABINET COMPONENTS

---

Drawing No.	Part No.	Description	QEFM-5
1	137-370	Front Fill	X
2	100Y346	Left End	X
3	139-116	Blade	X
4	137-369	Rear Fill	X
5	127-279	Base	X
6	8602-040	Bracket	X
7	8602-038	Damper Blade Pin	X
8	8602-039	Bushing	X
9	100X346	Right End	X
10	8602-044	Rod	X
11	8602-008	Ball Joint	X
12	8602-017	Damper Motor	X
13	8602-045	Economizer Logic Module	X
14	3000-1199	Wire Harness P1	X
15	3000-1201	Wire Harness P3	X
16	8602-046	Enthalpy Sensor	X
17	134-168	Wire Shield	X
NS	8602-018	Mixed Air Thermistor	X
NS	4056-162	Wiring Diagram	X

NS = Not Shown