
REPLACEMENT PARTS MANUAL

DIRECT DIGITAL CONTROLLER

Models: TCS22

General Notes

- Revised and/or additional pages may be issued from time to time.
- A complete and current manual consists of pages shown in the following contents section.

Contents

Description	Page
Functional Components	
♦ Exploded View	1
Cabinet Components – TSC22	
♦ Exploded View	2
Functional and Cabinet Components – TSC22	
♦ Usage List	3

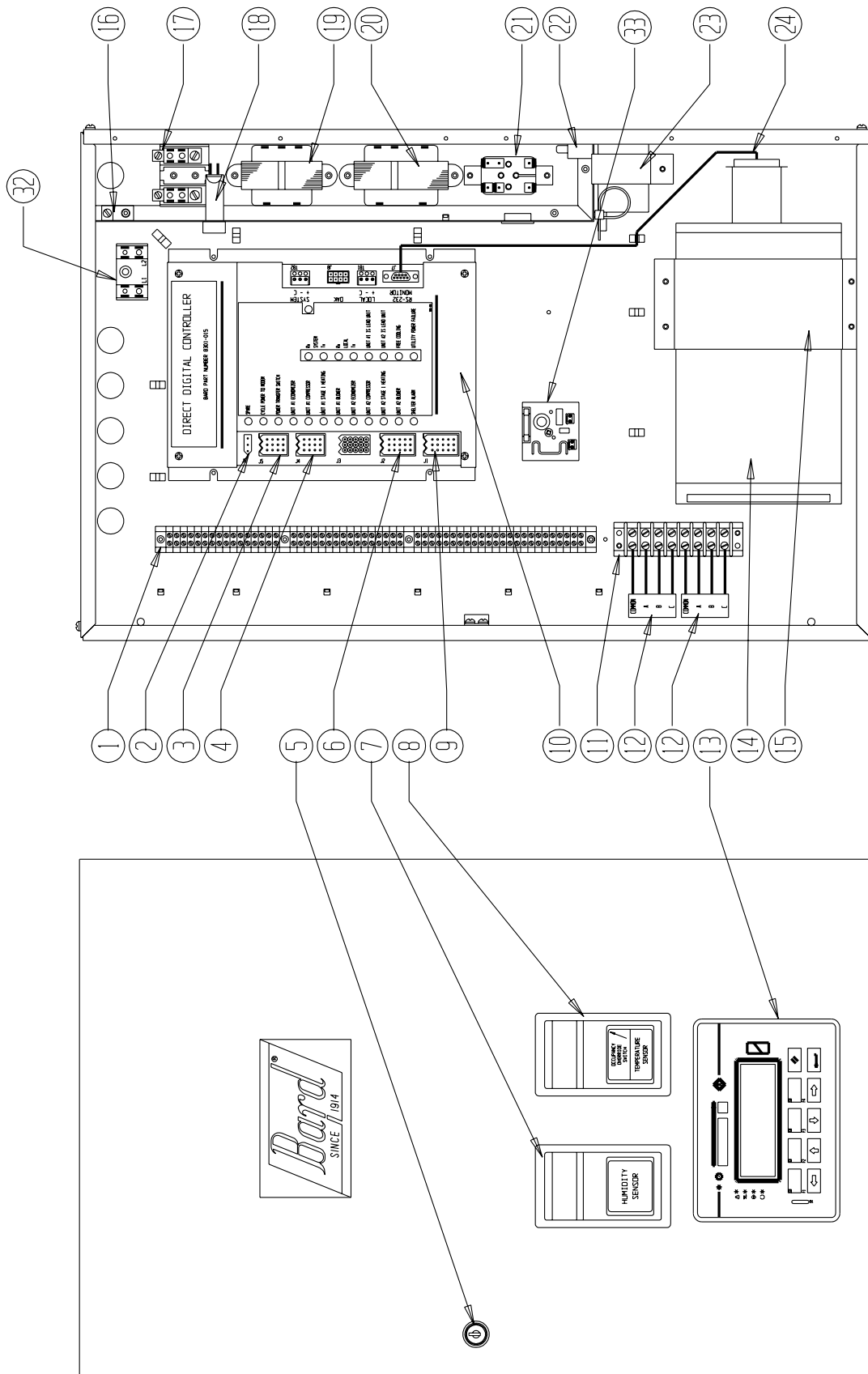


BARD MANUFACTURING COMPANY
Bryan, Ohio 43506
Since 1914...Moving ahead, just as planned.

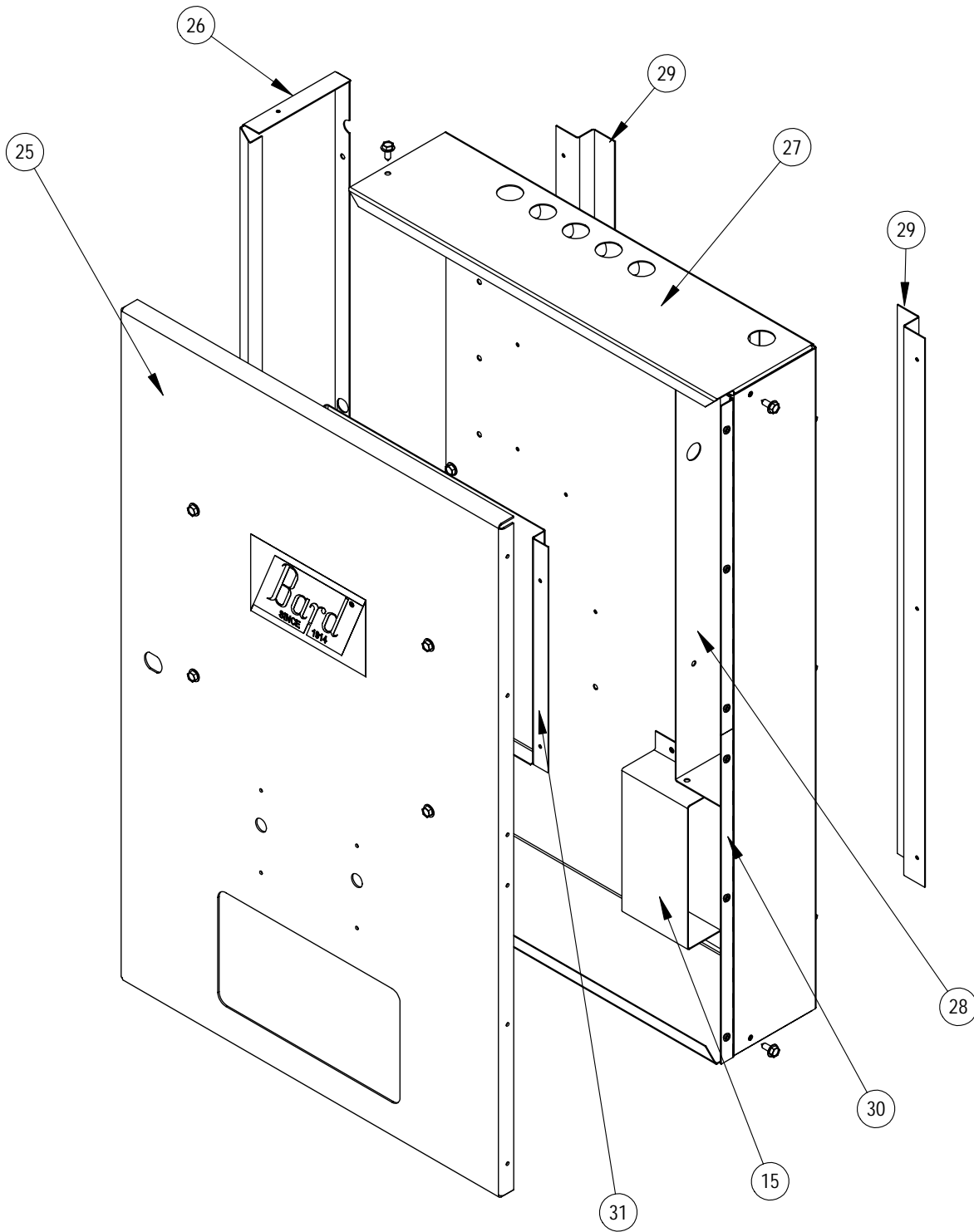
Manual: 2110-682
Supersedes:
File: Tab 19
Date: 12-22-03

FUNCTIONAL COMPONENTS

MIS-1901



TSC22 – CABINET COMPONENTS



SEXP-406 A

FUNCTIONAL and CABINET COMPONENTS – TSC22

Drawing No.	Part No.	Description	TCS22-XXX	TCS22-XDX	TCS22-XDM	TCS22-XXM	TCS22-HXX	TCS22-HDX	TCS22-HDM	TCS22-HXM	TCS22-XXE	TCS22-XDE	TCS22-HXE	TCS22-HDE
1	8607-023	Terminal Strip	X	X	X	X	X	X	X	X	X	X	X	X
2	3000-1039	Wire Harness #1	X	X	X	X	X	X	X	X	X	X	X	X
3	3000-1035	Wire Harness #2	X	X	X	X	X	X	X	X	X	X	X	X
4	3000-1036	Wire Harness #3	X	X	X	X	X	X	X	X	X	X	X	X
5	3000-1037	Wire Harness #4	X	X	X	X	X	X	X	X	X	X	X	X
6	1171-034	Keylatch	X	X	X	X	X	X	X	X	X	X	X	X
7	8301-020	Indoor Humidity Sensor					X	X	X	X			X	X
8	8301-017	Indoor Temperature Sensor	X	X	X	X	X	X	X	X	X	X	X	X
9	3000-1038	Wire Harness #5	X	X	X	X	X	X	X	X	X	X	X	X
10	S8301-015-***	Controller (See Note 1)	X	X	X	X	X	X	X	X	X	X	X	X
11	8607-006	Terminal Strip	X	X	X	X	X	X	X	X	X	X	X	X
12	8301-021	Resistor Network	2	2	2	2	2	2	2	2	2	2	2	2
13	8301-031	Display and Keypad		X	X			X	X			X		X
14	8301-023	Modem			X	X			X	X				
14	8301-034	Etherlink									X	X	X	X
15	112-223	Modem Bracket			X	X			X	X	X	X	X	X
16	8611-006	Ground Lug	X	X	X	X	X	X	X	X	X	X	X	X
17	8607-013	Terminal Block	X	X	X	X	X	X	X	X	X	X	X	X
18	8614-036	Circuit Breaker	X	X	X	X	X	X	X	X	X	X	X	X
19	8407-041	Transformer #1	X	X	X	X	X	X	X	X	X	X	X	X
20	8407-043	Transformer #2			X	X			X	X	X	X	X	X
21	8201-062	Relay			X	X			X	X	X	X	X	X
22	8611-093	Recepticle			X	X			X	X	X	X	X	X
23	112-224	Power Supply Bracket			X	X			X	X	X	X	X	X
24	8301-029	Null Modem Cable			X	X			X	X	X	X	X	X
25	133-169 -X	Cover Without DAK	X			X	X			X	X		X	
25	133-181-S	Cover With DAK		X	X			X	X			X		X
26	101-401-S	Side	X	X	X	X	X	X	X	X	X	X	X	X
27	126-320	Base	X	X	X	X	X	X	X	X	X	X	X	X
28	116-180	High Voltage Partition	X	X	X	X	X	X	X	X	X	X	X	X
29	105-1120-X	Base Rail	2	2	2	2	2	2	2	2	2	2	2	2
32	8607-017	Terminal Block	X	X	X	X	X	X	X	X	X	X	X	X
33	8301-033	Power Supply 24 VAC	X	X	X	X	X	X	X	X	X	X	X	X
NS	8301-019	Outdoor Humidity Sensor	X	X	X	X	X	X	X	X	X	X	X	X
NS	8301-018	Outdoor Temperature Sensor	X	X	X	X	X	X	X	X	X	X	X	X
NS	8301-032	Epad Cable		X	X			X	X			X		X
NS	4094-137	Wiring Diagram	X	X	X	X	X	X	X	X	X	X	X	X

Note 1 The last three numbers of the controller part number will be the same as the last three numbers of the TCS22 model number.

For example: TCS22-XDM-002 = S8301-015-002