
REPLACEMENT PARTS MANUAL

COMMERCIAL ROOM VENTILATOR

MODELS: CRVS-3, CRVP-3, CRVP-3L
CRVS-5, CRVP-5, CRVP-5L

General Notes

- Revised and/or additional pages may be issued from time to time.
- A complete and current manual consists of pages shown in the following contents section.

Contents

Description	Page
Functional and Cabinet Components	
♦ Exploded View	2
♦ Exploded View	3
♦ Exploded View	4
♦ Exploded View	5
♦ Usage List	6

Important

- Contact the installing and/or local Bard distributor for all parts requirements. Make sure you have the complete model and serial number available from the unit rating plates.



Bard Manufacturing Company, Inc.
Bryan, Ohio 43506
Since 1914...Moving ahead, just as planned.

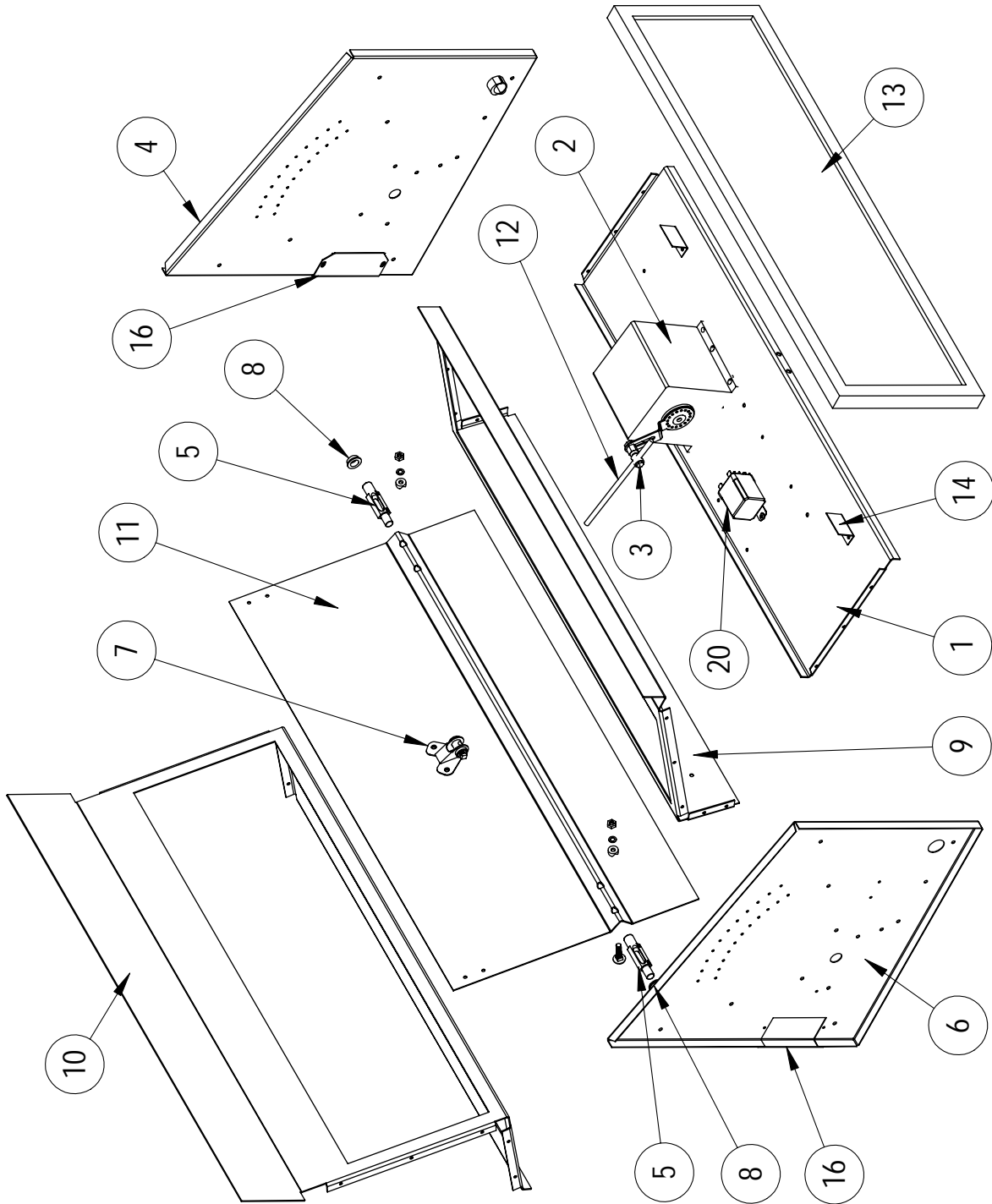
Manual: 2110-684B
Supersedes: 2110-684A
File: Vol III Tab 19
Date: 10-24-07

CLIMATE CONTROL SOLUTIONS

FUNCTIONAL and CABINET COMPONENTS

SEXP-437 A

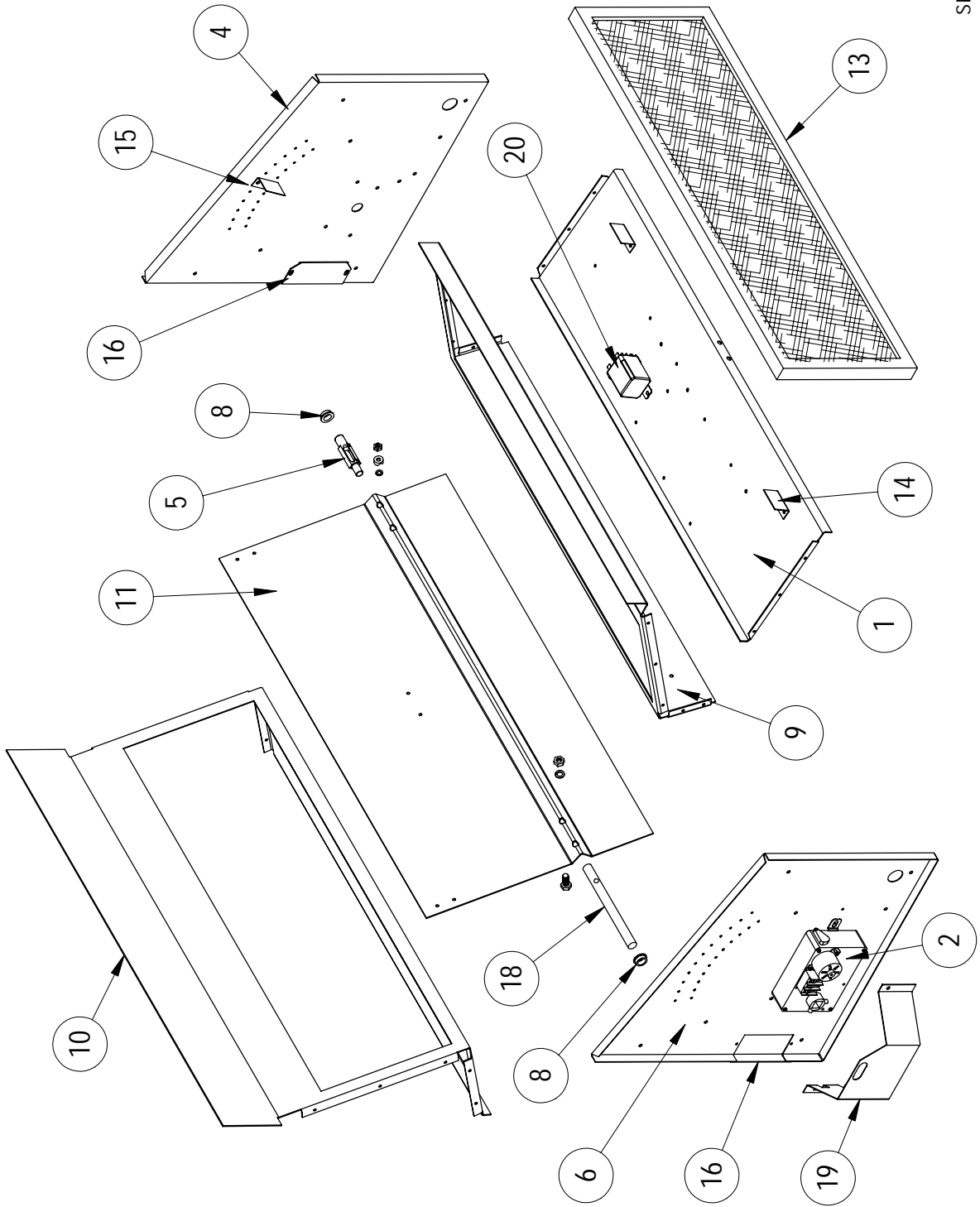
CRVS-3



FUNCTIONAL and CABINET COMPONENTS

SEXP-438

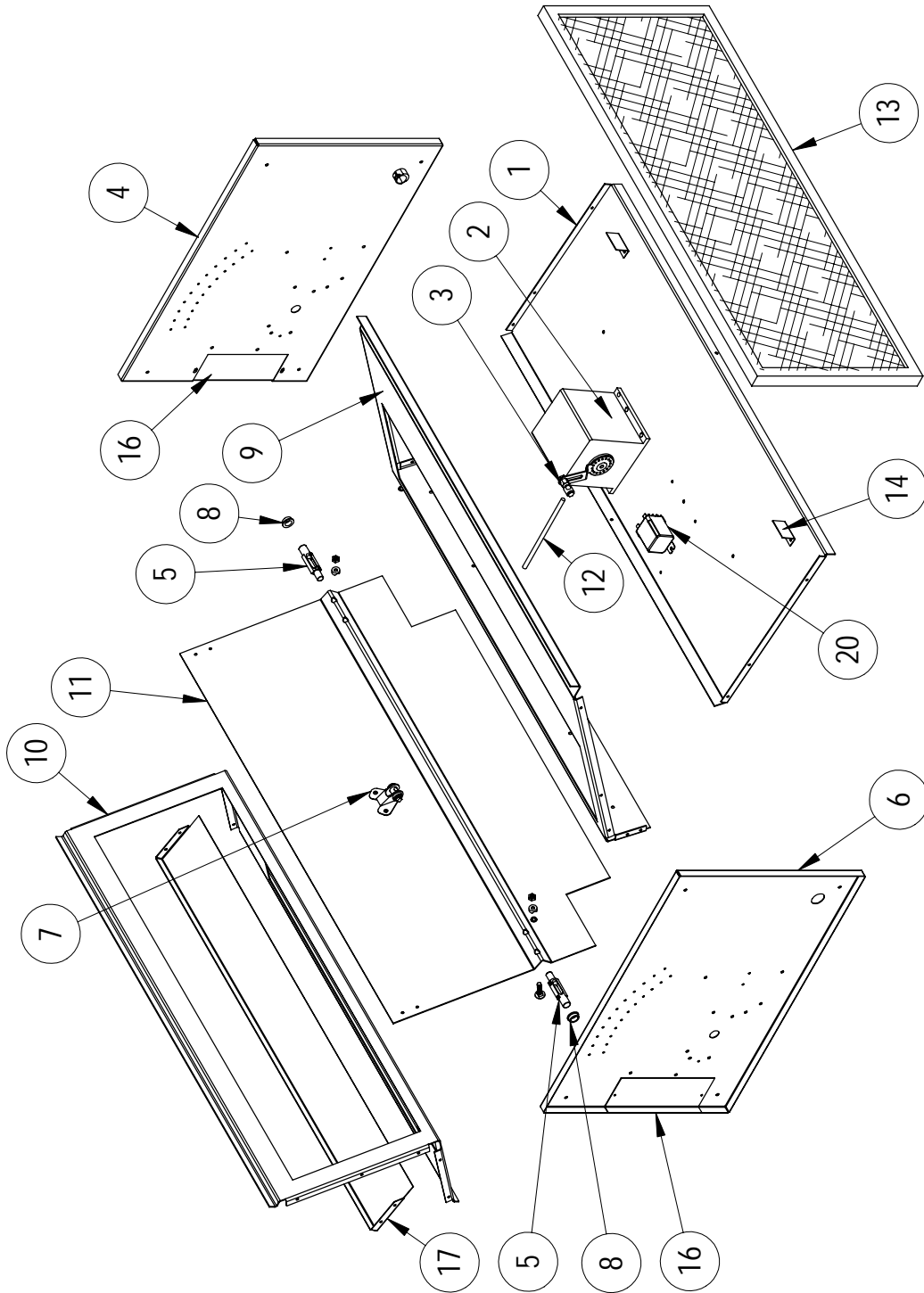
CRVP-3, CRVP-3L



FUNCTIONAL and CABINET COMPONENTS

SEXP-439 A

CRVS-5



FUNCTIONAL and CABINET COMPONENTS

Drawing No.	Part No.	Description	CRVS-3	CRVP-3	CRVP-3L	CRVS-5	CRVP-5	CRVP-5L
1	127-212	Base	X	X				
1	127-215	Base				X	X	
2	8602-020	Motor	X			X		
2	8602-050	Motor		X			X	
3	8602-008	Ball Joint	X			X		
4	S100X434	Right End	X	X				
4	S100X440	Right End				X	X	
5	8602-038	Damper Blade Pin	2	X		2	X	
6	S100Y434	Left End	X	X				
6	S100Y440	Left End				X	X	
7	8602-040	Bracket	X			X		
8	8602-039	Bronze Bushing	2			2		
8	8602-052	Bronze Bushing		2			2	
9	S137-178	Front Fill	X	X				
9	S137-218	Front Fill				X	X	
10	S137-481	Return Fill				X	X	
10	S137-484	Return Fill	X	X				
11	S139-180	Damper Blade				X	X	
11	S139-181	Damper Blade	X	X				
12	8602-042	Rod	X			X		
13	7003-033	Mist Eliminator	X	X				
13	7003-035	Mist Eliminator				X	X	
14	131-095	Filter Stop	2	2		2	2	
15	105-1044	Blade Position Angle		2			2	
16	137-485	Side Fill	2	2				
16	137-486	Side Fill				2	2	
17	137-483	Exhaust Partition				X	X	
18	8602-051	Shaft		X			X	
19	143-087	Motor Cover Plate		X			X	
20	8201-048	Relay	X	X		X	X	
NS	4056-121	Wiring Diagram	X			X		
NS	4056-180	Wiring Diagram		X			X	
NS	4056-196	Wiring Diagram			X			X

NS = Not Shown