
REPLACEMENT PARTS MANUAL

COMMERCIAL ROOM VENTILATOR

MODELS: CRVS-3, CRVP-3
CRVS-5, CRVP-5

General Notes

- Revised and/or additional pages may be issued from time to time.
- A complete and current manual consists of pages shown in the following contents section.

Important

- Contact the installing and/or local Bard distributor for all parts requirements. Make sure you have the complete model and serial number available from the unit rating plates.

Contents

Description	Page
Functional and Cabinet Components	
♦ Exploded View	1
♦ Exploded View	2
♦ Exploded View	3
♦ Exploded View	4
♦ Usage List	5



BARD MANUFACTURING COMPANY
Bryan, Ohio 43506

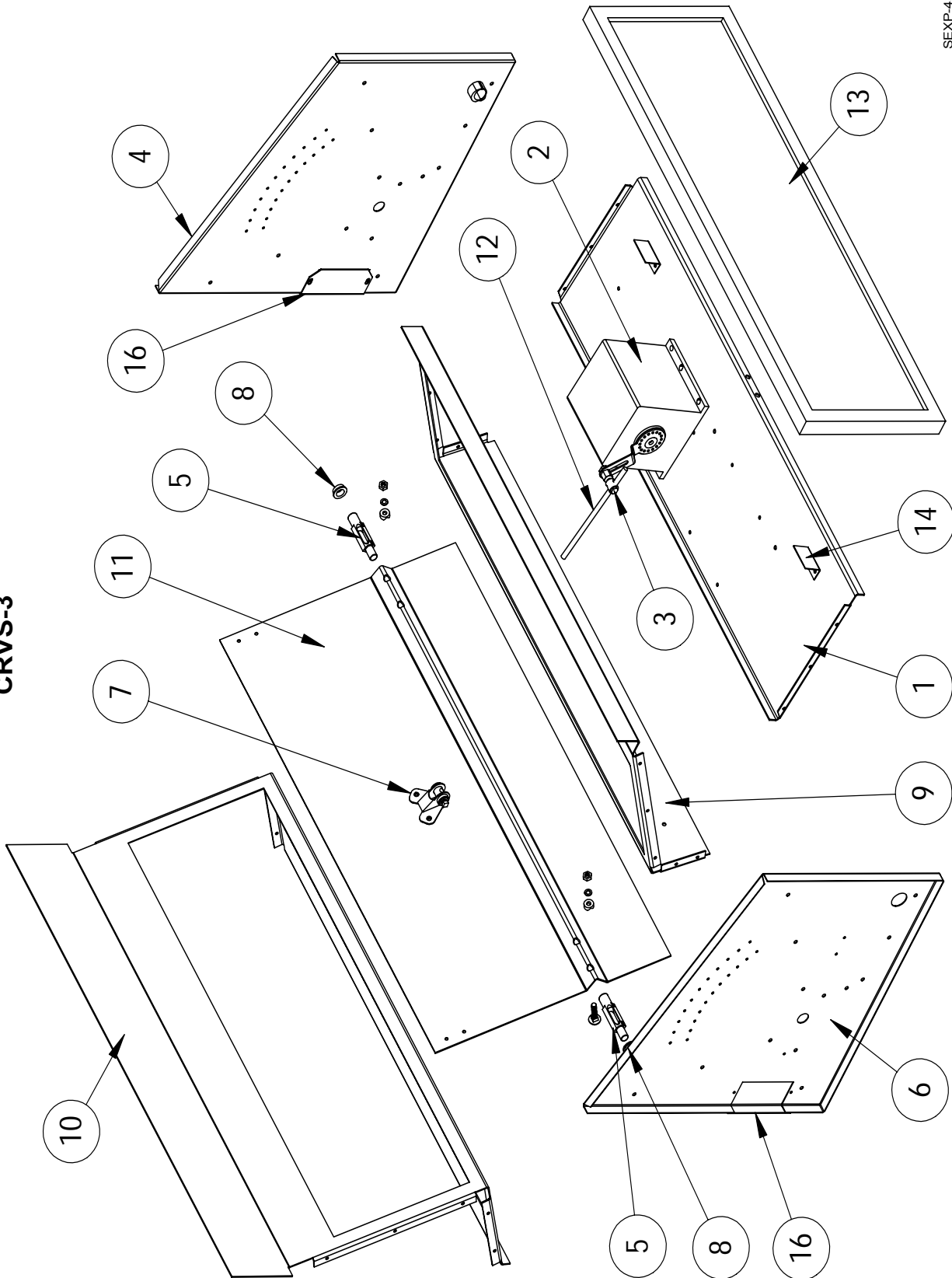
Since 1914...Moving ahead, just as planned.

Manual: 2110-684
Supersedes:
File: Vol III Tab 19
Date: 12-18-04

FUNCTIONAL and CABINET COMPONENTS

SEXP-437

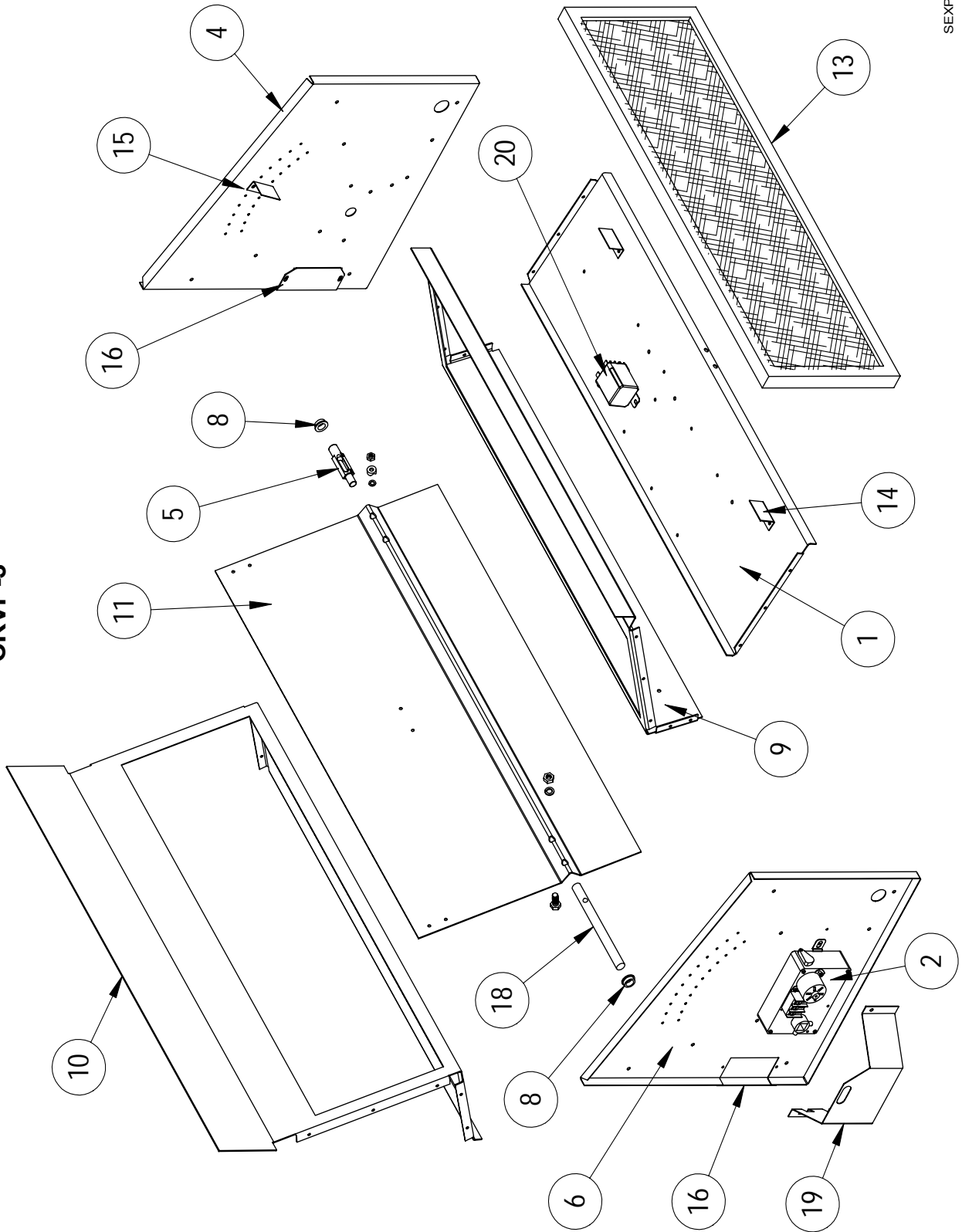
CRVS-3



FUNCTIONAL and CABINET COMPONENTS

SEXP-438

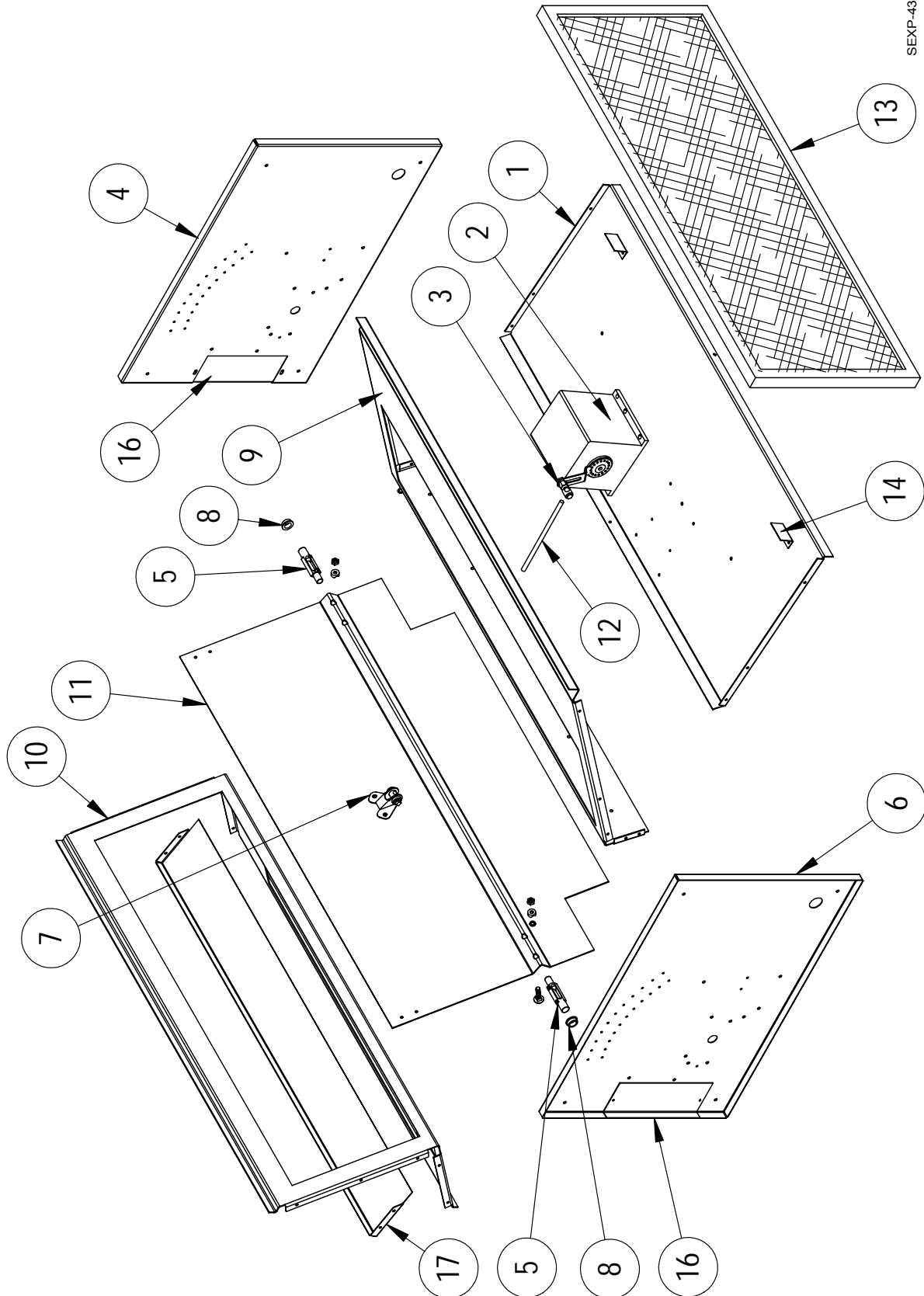
CRVP-3



FUNCTIONAL and CABINET COMPONENTS

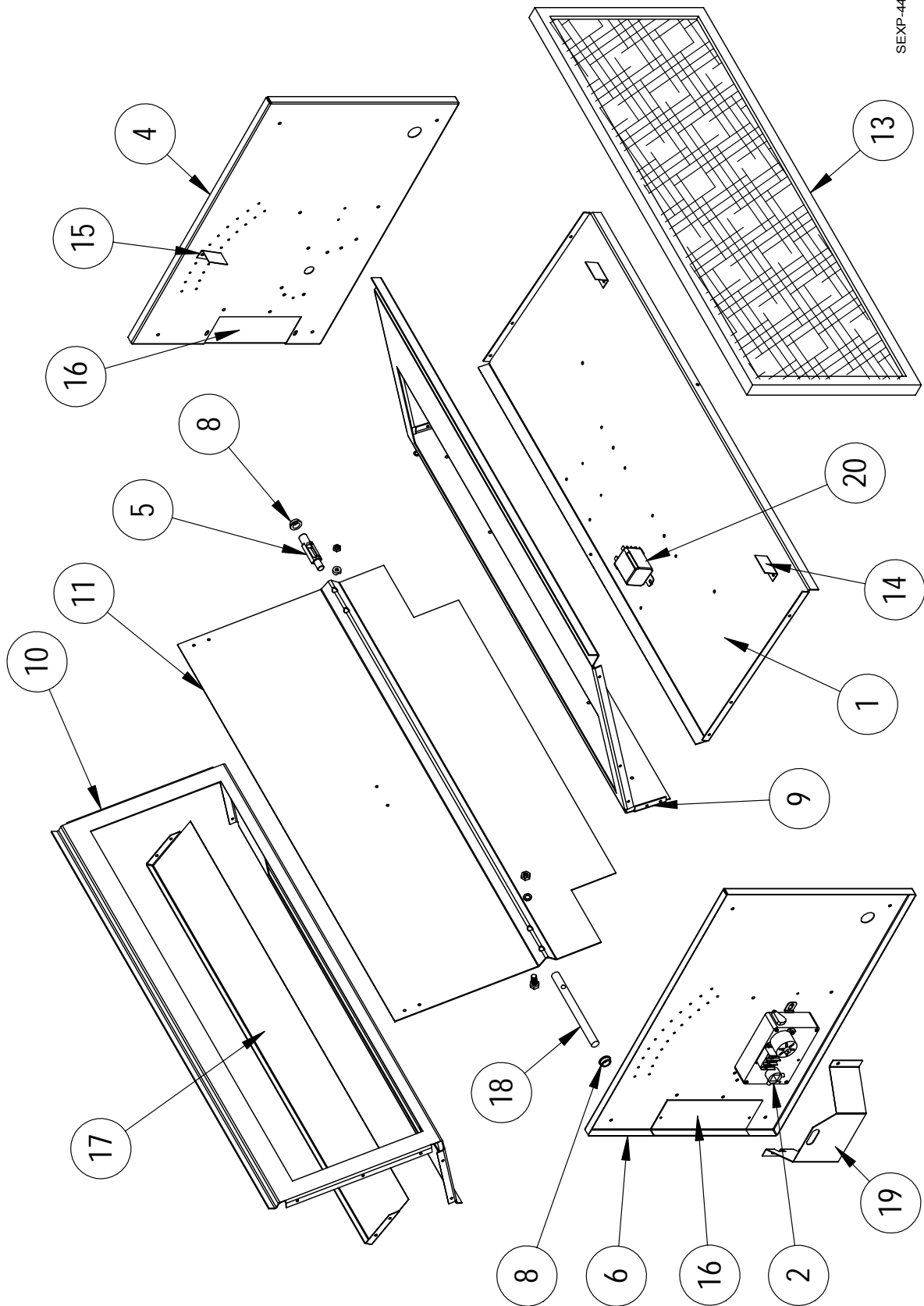
SEXP-439

CRVS-5



FUNCTIONAL and CABINET COMPONENTS

CRVP-5



SEXP-440

FUNCTIONAL and CABINET COMPONENTS

Drawing No.	Part No.	Description	CRVS-3	CRVP-3	CRVS-5	CRVP-5
1	127-212	Base	X	X		
1	127-215	Base			X	X
2	8602-020	Motor	X		X	
2	8602-050	Motor		X		X
3	8602-008	Ball Joint	X		X	
4	100X434	Right End	X	X		
4	100X440	Right End			X	X
5	8602-038	Damper Blade Pin	2	X	2	X
6	100Y434	Left End	X	X		
6	100Y440	Left End			X	X
7	8602-040	Bracket	X		X	
8	8602-039	Bronze Bushing	2		2	
8	8602-052	Bronze Bushing		2		2
9	137-178	Front Fill	X	X		
9	137-218	Front Fill			X	X
10	137-481	Return Fill			X	X
10	137-484	Return Fill	X	X		
11	139-180	Damper Blade			X	X
11	139-181	Damper Blade	X	X		
12	8602-042	Rod	X		X	
13	7003-033	Mist Eliminator	X	X		
13	7003-035	Mist Eliminator			X	X
14	131-095	Filter Stop	2	2	2	2
15	105-1044	Blade Position Angle		2		2
16	137-485	Side Fill	2	2		
16	137-486	Side Fill			2	2
17	137-483	Exhaust Partition			X	X
18	8602-051	Shaft		X		X
19	143-087	Motor Cover Plate		X		X
20	8201-048	Relay		X		X
NS	4056-121	Wiring Diagram	X		X	
NS	4056-180	Wiring Diagram		X		X

NS = Not Shown