

# REPLACEMENT PARTS MANUAL

## WALL MOUNT ECONOMIZERS

MODELS: ECW-4C

Manual 2110-685  
(Originally recorded as Manual #2110-662)

Date 08-31-94

Supersedes

\*\*\*\*\*  
\* GENERAL NOTES \*  
\*\*\*\*\*

\*Revised and/or additional pages may be issued from time to time.  
\*A complete and current manual consists of pages dated as shown in the following index.

\*\*\*\*\*  
\*\* INDEX \*\*  
\*\*\*\*\*

<u>Page</u>	<u>Description</u>	<u>Page</u>	<u>Date</u>	<u>Supersedes</u>
	Functional Components--Exploded View	1	08-31-94	
"	" --Usage List	2	08-31-94	

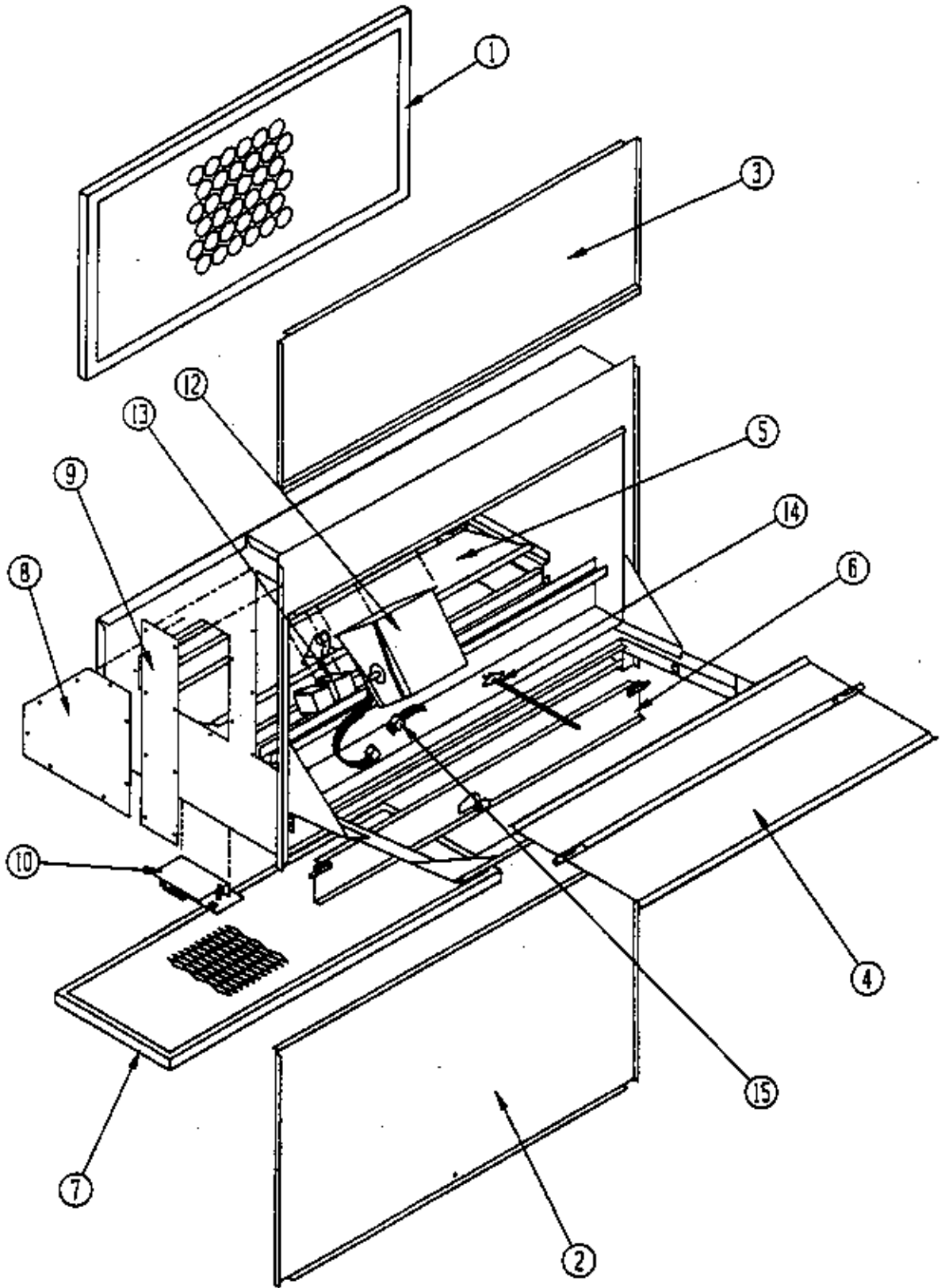
\*\*\*\*\*  
\*\*\* IMPORTANT \*\*\*  
\*\*\*\*\*

Contact the installing and/or local Bard distributor for all parts requirements. Make sure you have the complete model and serial number available from the unit rating plate.

BARD MANUFACTURING COMPANY

BRYAN, OHIO 43506

FUNCTIONAL COMPONENTS



Date: 08-31-94  
Supersedes:

2110-085  
Page: 1

FUNCTIONAL COMPONENTS

Qty. No.	Part No.	Description	EDW-4C
1	7004-016	Air Filter 20 x 30 x 1	X
2	9047-002	Lower Fill Panel	X
3	9047-001	Upper Fill Panel	X
4	*	Return Air Damper Blade	X
5	*	Outdoor Air Damper Blade w/Side Skirts	X
6	*	Exhaust Air Damper Blade	X
7	7002-011	Moisture Eliminator	X
8	*	Side Cover Plate	X
9	*	Filter Access Cover Plate	X
10	8602-025	Enthalpy Control	X
12	8602-017	Damper Motor	X
13	8201-048	Relay TPD1 (2 required)	X
14	8602-043	Thermister Sensor	X
15	8602-035	Pig Tail (Unit End)	X
	4074-152	Wiring Diagram	X
NS	8602-019	Minimum Position Potentiometer	X

\* - Contact factory for information.  
NS - Not shown

Date: 08-31-94  
Supersedes:

2110-685  
Page: 2