

---

# REPLACEMENT PARTS MANUAL

# COMMERCIAL ROOM VENTILATOR

MODELS: **CRVMP-5**  
**WGCRVMP-5**

---

## General Notes

- Revised and/or additional pages may be issued from time to time.
- A complete and current manual consists of pages shown in the following contents section.

## Contents

Description	Page
Functional and Cabinet Components	
♦ Exploded View .....	2
♦ Usage List .....	3
♦ Exploded View & Usage List .....	4

## Important

- Contact the installing and/or local Bard distributor for all parts requirements. Make sure you have the complete model and serial number available from the unit rating plates.



Bard Manufacturing Company, Inc.  
Bryan, Ohio 43506

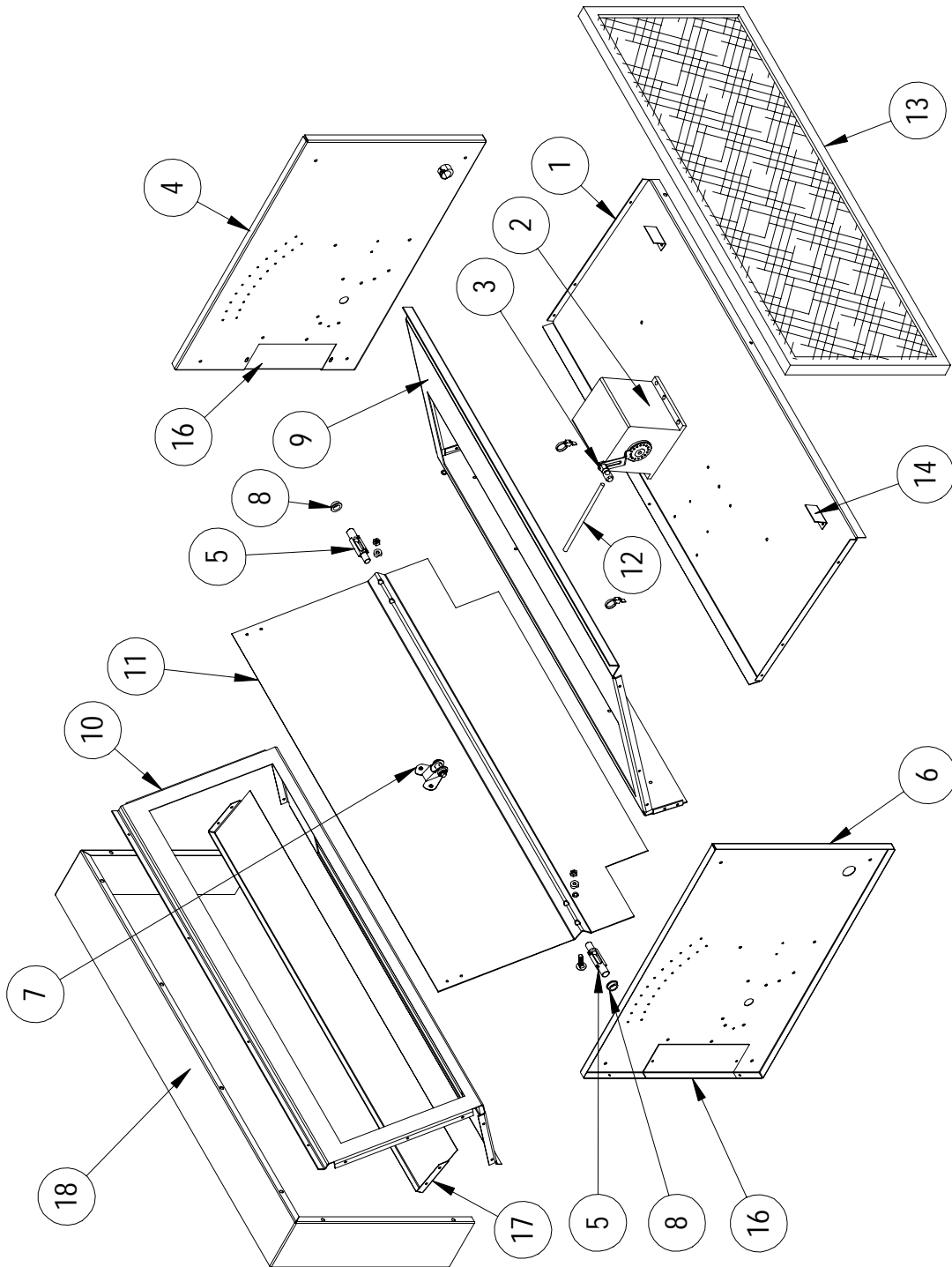
*Since 1914...Moving ahead, just as planned.*

Manual: 2110-686A  
Supersedes: 2110-686  
File: Vol III Tab 19  
Date: 01-11-08

# FUNCTIONAL and CABINET COMPONENTS


SEXP-439 A

CRVMP-5



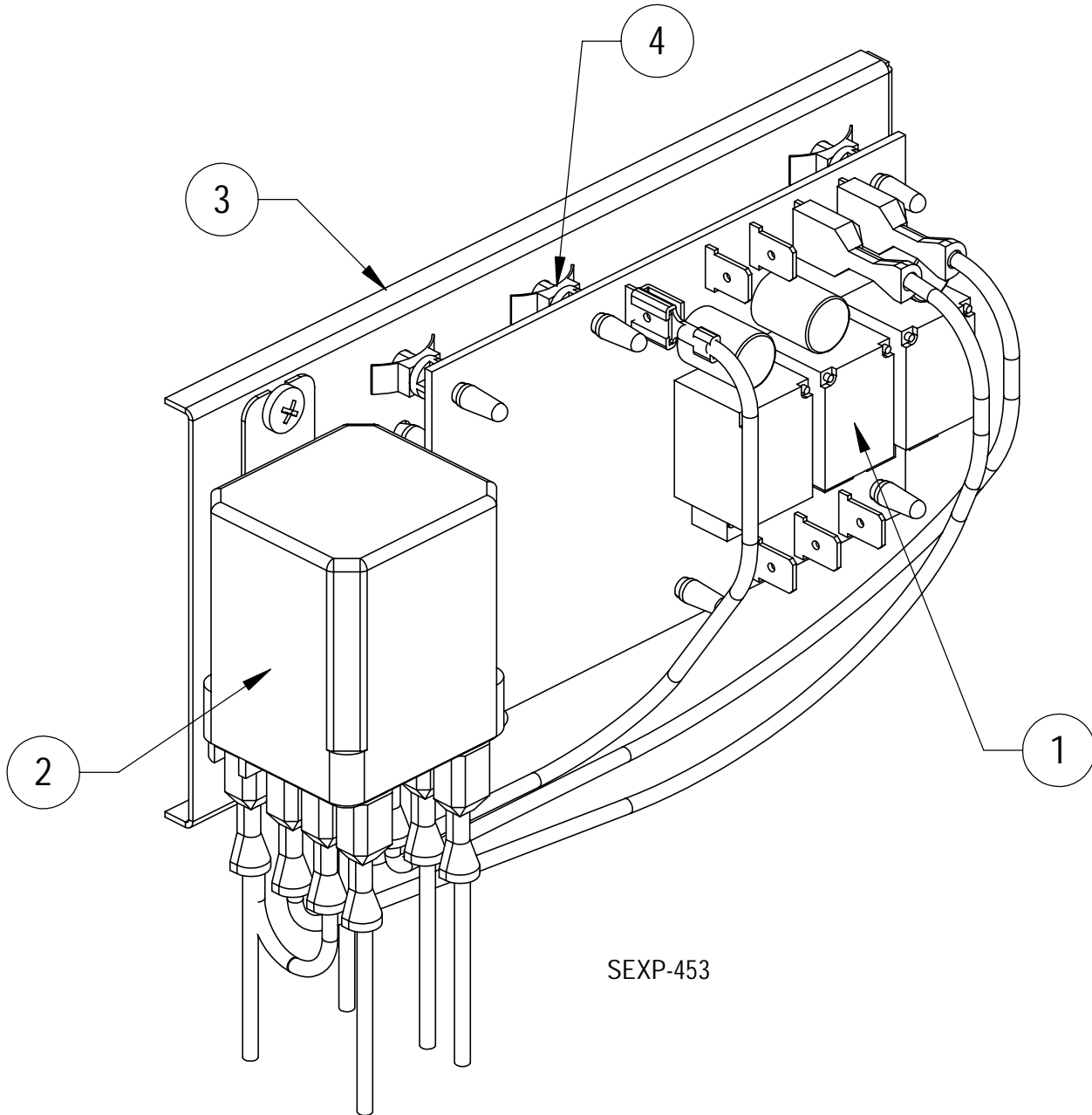
# FUNCTIONAL and CABINET COMPONENTS

---

Drawing No.	Part No.	Description	CRVMP-5	WGCRVMP-5
1	127-215	Base	X	X
2	8602-017 	Motor	X	X
3	8602-008	Ball Joint	X	X
4	100X440	Right End	X	X
5	8602-038	Damper Blade Pin	2	2
6	100Y440	Left End	X	X
7	8602-040	Bracket	X	X
8	8602-039	Bronze Bushing	2	2
9	137-218	Front Fill	X	X
10	137-481	Return Fill	X	X
11	139-180	Damper Blade	X	X
12	8602-042	Rod	X	X
13	7003-035	Mist Eliminator	X	X
14	131-095	Filter Stop	2	2
16	137-486	Side Fill	2	2
17	137-483	Exhaust Partition	X	X
18	566-025	Sleeve		X
NS	4056-159	Wiring Diagram	X	
NS	4056-195	Wiring Diagram		X

NS = Not Shown

# CONTROL BOARD ASSEMBLY COMPONENTS



Drawing No.	Part No.	Description	CRVMP-5	WGCRVMP-5
	910-1622	Damper Step Control Assembly (Complete)	X	X
1	8201-104	3-Position CRV Control Board	X	X
2	8201-048	Relay, DPDT, 5A @ 277V	X	X
3	112-322	Mounting Plate	X	X
4	8611-080	Mounting Support, 3/8" Locking	X	X