
REPLACEMENT PARTS MANUAL

WALL MOUNT ENERGY RECOVERY VENTILATOR

Models:

WERV-A2B WERV-A3C
WERV-C2B WERV-C3C
WERV-A5C WERV-C5C

General Notes

- Revised and/or additional pages may be issued from time to time.
- A complete and current manual consists of pages shown in the following contents section.

Important

- Contact the installing and/or local Bard distributor for all parts requirements. Make sure you have the complete model and serial number available from the unit rating plates.

Contents

Description	Page
Functional and Cabinet Components	
♦ Exploded View	2
♦ Usage List	3
Functional and Cabinet Components	
♦ Exploded View	4
♦ Usage List	5
Functional and Cabinet Components	
♦ Exploded View	6
♦ Usage List	7
Cassette Components	
♦ Exploded View	8
♦ Usage List	9
Rain Hood and Service Door	
♦ Exploded View	10
♦ Usage List	11
Control Panel	
♦ Exploded View	12
♦ Usage List	12
Blower Assembly	
♦ Exploded View	13
♦ Usage List	13



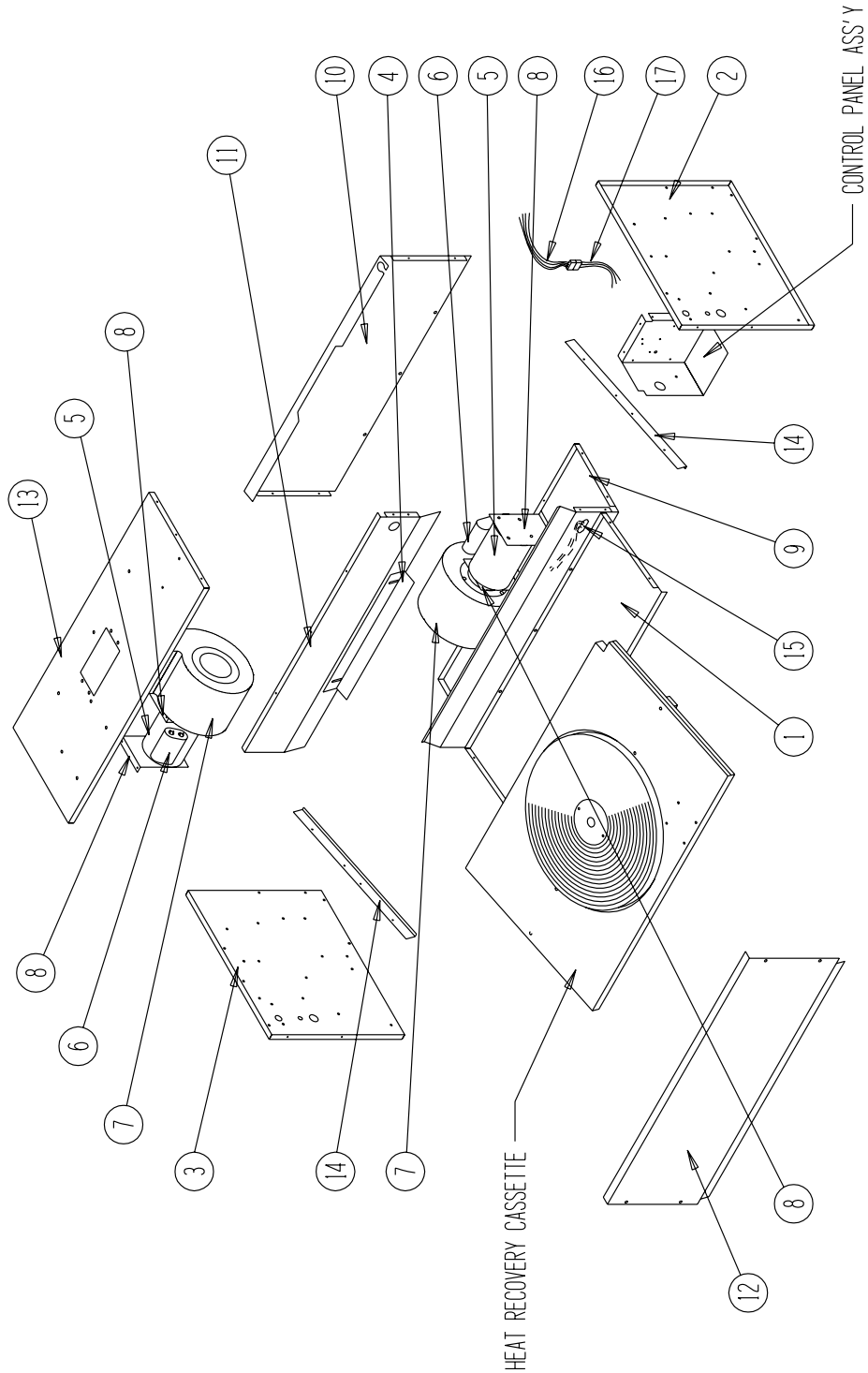
Bard Manufacturing Company, Inc.
Bryan, Ohio 43506
Since 1914...Moving, ahead just as planned.

Manual: 2110-687A
Supersedes: 2110-687
Tab: 19
Date: 06-13-06

CLIMATE CONTROL SOLUTIONS

FUNCTIONAL AND CABINET COMPONENTS

SEP-211

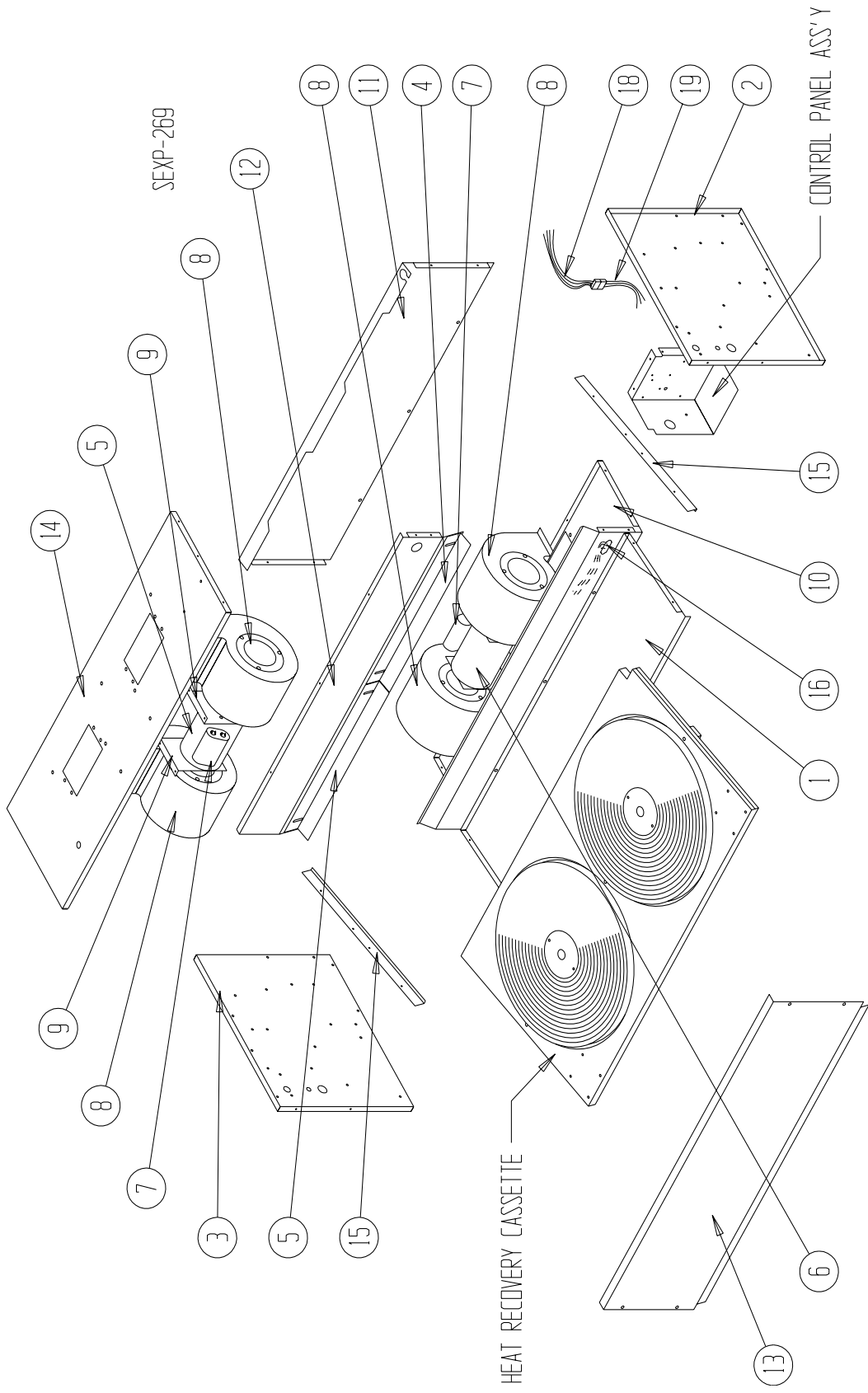


FUNCTIONAL AND CABINET COMPONENTS

Drawing No.	Part No.	Description	WERV-A2B	WERV-C2B
1	127-239	Base	X	X
2	500X371	Right End	X	X
3	500Y371	Left End	X	X
4	105-932	Adjustment Angle with Seal	X	X
5	8101-013	Blower Motor	2	
5	8101-017	Blower Motor		2
6	8552-001	Blower Motor Capacitor	2	2
7	Blower Housing and Wheel	See Blower Housing Assembly Drawing	2	2
8	129-018	Blower Motor Mount	4	4
9	520-275	Lower Partition Assembly	X	X
10	508-107	Back Assembly	X	X
11	520-274	Middle Partition Assembly	X	X
12	115-089	Front Assembly	X	X
13	506-155	Top Assembly	X	X
14	105-898	Slide Angle	2	2
15	3000-989	Wire Harness – Right	X	X
16	3000-991	Wire Harness – Unit	X	X
17	3000-992	Wire Harness – WERV	X	X
NS	4056-153	Wiring Diagram	X	
NS	4056-302	Wiring Diagram		X

NS = Not Shown

FUNCTIONAL AND CABINET COMPONENTS



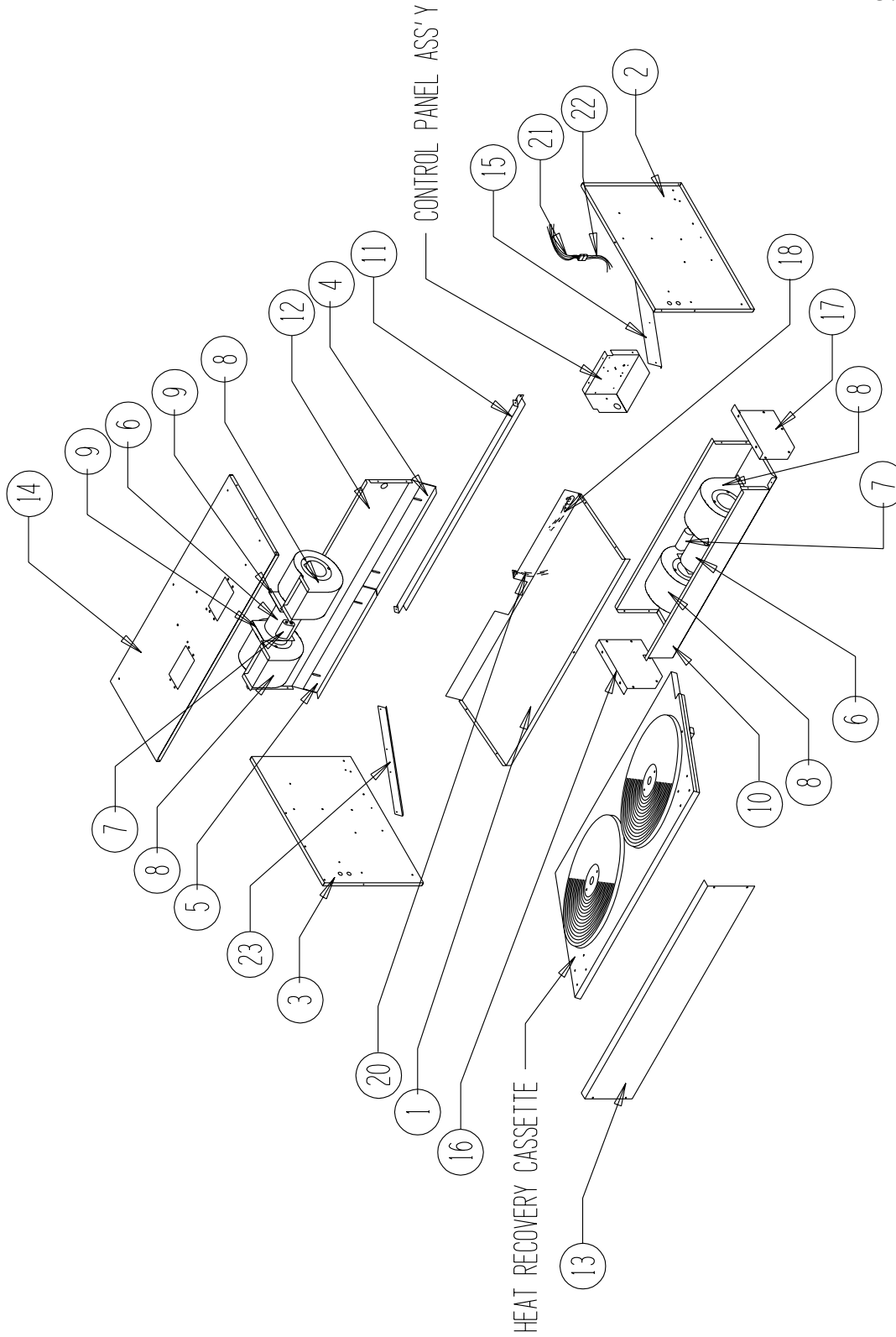
FUNCTIONAL AND CABINET COMPONENTS

Drawing No.	Part No.	Description	WERV-A3C	WERV-C3C
1	127-222	Base	X	X
2	500X371	Right End	X	X
3	500Y371	Left End	X	X
4	105-904	Right Adjustment Angle with Seal	X	X
5	105-905	Left Adjustment Angle with Seal	X	X
6	8101-024	Blower Motor	2	
6	8101-025	Blower Motor		2
7	8552-001	Blower Motor Capacitor	2	2
8	Blower Housing and Wheel	See Blower Housing Assembly Drawing	4	4
9	129-018	Blower Motor Mount	4	4
10	121-316	Lower Partition Assembly	X	X
11	109-108	Back Assembly	X	X
12	121-242	Middle Partition Assembly	X	X
13	115-084	Front Assembly	X	X
14	107-147	Top Assembly	X	X
15	105-898	Slide Angle	2	2
16	3000-989	Wire Harness – Right	X	X
18	3000-991	Wire Harness – Unit HV	X	X
19	3000-1104	Wire Harness - WERV HV	X	X
NS	4056-185	Wiring Diagram	X	
NS	4056-306	Wiring Diagram		X

NS = Not Shown

FUNCTIONAL AND CABINET COMPONENTS

SEXP-270

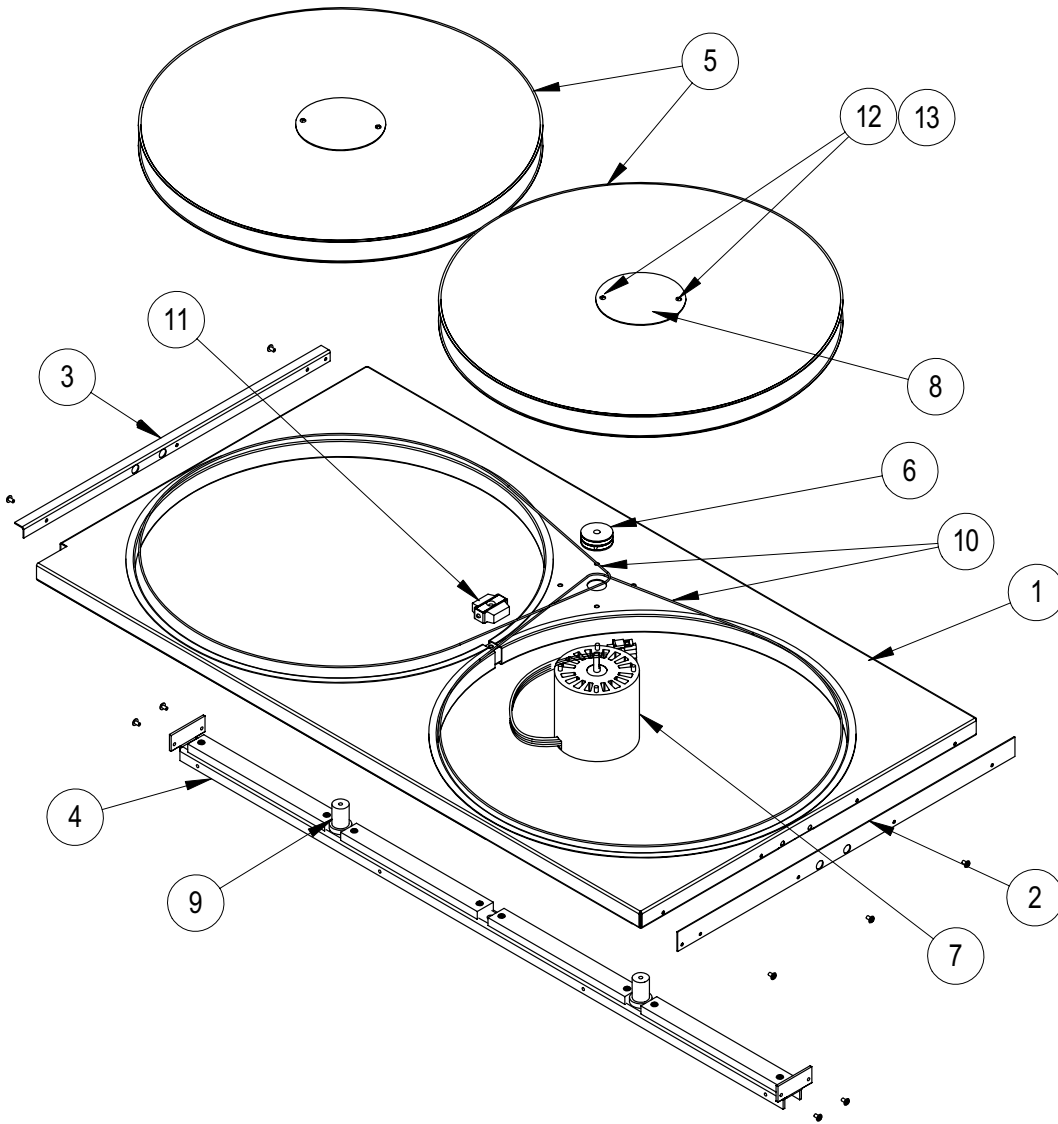


FUNCTIONAL AND CABINET COMPONENTS

Drawing No.	Part No.	Description	WERV-A5C	WERV-C5C
1	127-278	Base	X	
1	127-348	Base		X
2	500X372	Right End	X	X
3	500Y372	Left End	X	X
4	105-914	Right Adjustment Angle with Seal	X	X
5	105-915	Left Adjustment Angle with Seal	X	X
6	8101-024	Blower Motor	2	
6	8101-025	Blower Motor		2
7	8552-001	Blower Motor Capacitor	2	2
8	Blower Housing and Wheel	See Blower Housing Assembly Drawing	4	4
9	129-018	Blower Motor Mount	4	4
10	139-084	Wrapper Assembly	X	X
11	109-103	Back Assembly	X	X
12	121-259	Middle Partition Assembly	X	X
13	115-087	Front Assembly	X	X
14	107-149	Top Assembly	X	X
15	105-911	Right Slide Angle	2	2
16	500Y278	Left Wrapper End	X	X
17	500X278	Right Wrapper End	X	X
18	3000-1002	Wire Harness – Cassette	X	X
20	3000-1240	Wire Harness - Motor		X
20	3000-1241	Wire Harness - Motor	X	
21	3000-1004	Wire Harness – Unit	X	X
22	3000-1003	Wire Harness – WERV	X	X
22	3000-1105	Wire Harness – WERV	X	X
23	105-912	Left Slide Angle	X	X
NS	4056-186	Wiring Diagram	X	
NS	4056-307	Wiring Diagram		X

NS = Not Shown

CASSETTE COMPONENTS



SEXP-472

CASSETTE COMPONENTS

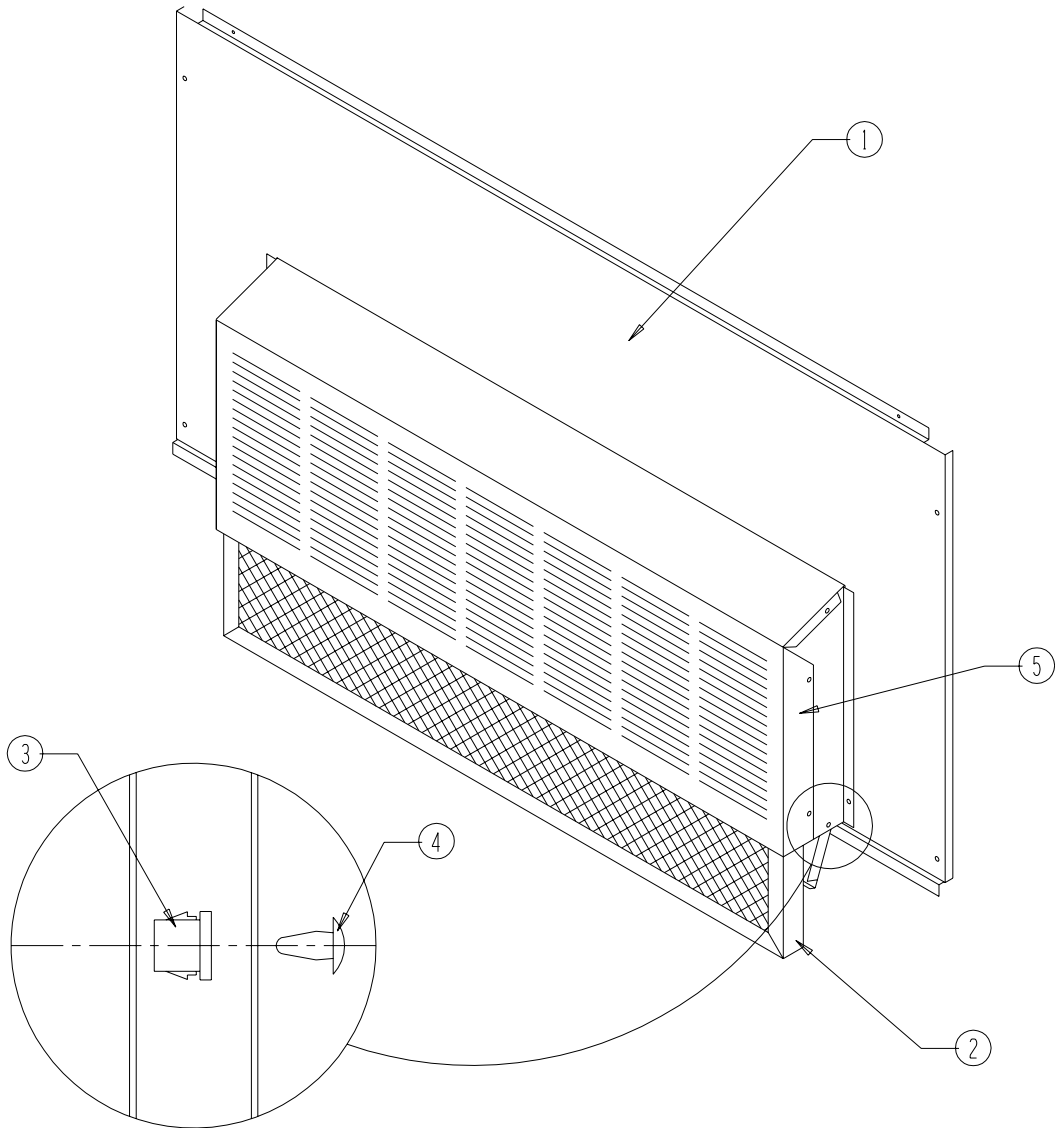
Drawing No.	Part No.	Description	WERV-A2B	WERV-A3C	WERV-A5C
			WERV-C2B	WERV-C3C	WERV-C5C
	5070-033	Complete Cassette with Motor and Wheels	X		
	5070-034	Complete Cassette with Motor and Wheels		X	
	5070-035	Complete Cassette with Motor and Wheels			X
1	139-172	Cassette Plate Assembly	X		
1	139-171	Cassette Plate Assembly		X	
1	139-170	Cassette Plate Assembly			X
2	104-1131	Right Support Angle	X	X	
2	104-1129	Right Support Angle			X
3	104-1132	Left Support Angle	X	X	
3	104-1130	Left Support Angle			X
4	S140-312	Support Bar Assembly	X		
4	S140-313	Support Bar Assembly		X	
4	S140-314	Support Bar Assembly			X
5	5070-049	Cassette Wheel	X		
5	5070-044	Cassette Wheel		2	
5	5070-043	Cassette Wheel			2
6	5501-019	Pulley	X		
6	5501-020	Pulley		X	X
7	8101-016	Motor	X	X	X
8	142-104	Hub Cover	1	2	2
9	1912-012	Wheel Shaft	X	2	2
10	5070-005	Drive Belt	1	1	
10	8620-196	Drive Belt & Pulley Kit			X
11	S5070-047	Center Block Assembly		X	X
12	1012-164	Machine Screw	2	4	4
13	8611-111	Nylon Spacer	2	4	4
NS	5070-052	Bearing/Hub Assembly		2	2
NS	8620-204 ①	Bearing/Hub, Shaft & Hardware Kit	1	2	2
NS	8620-205 ②	Shaft & Hardware Kit	1	2	2

NS = Not Shown

① = Contains Item #'s 8, 9, 12, 13 and "NS" Bearing + Additional Hardware

② = Contains Item #'s 8, 9, 12, 13 + Additional Hardware

RAIN HOOD AND SERVICE DOOR



SEXP-189

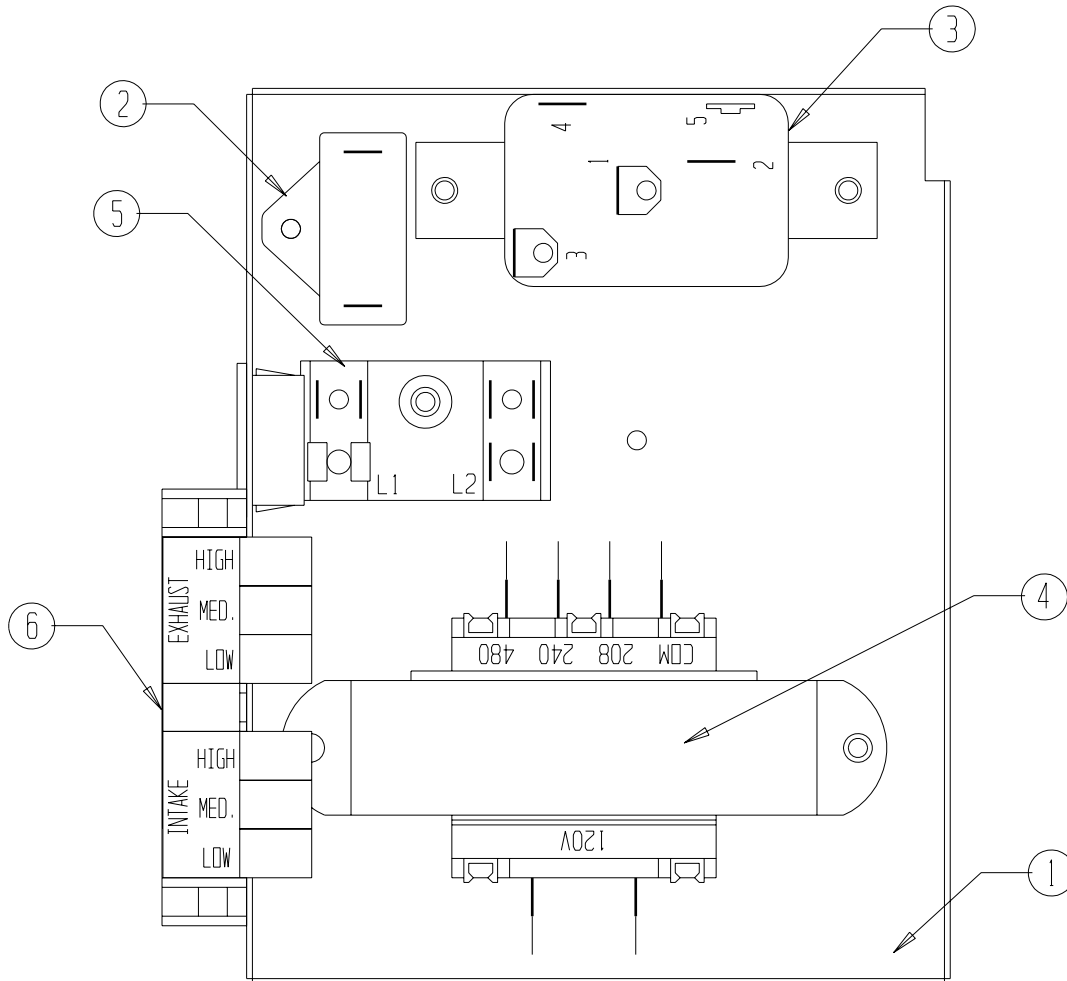
RAIN HOOD AND SERVICE DOOR

Drawing No.	Part No.	Description	WERV-A2B WERV-C2B	WERV-A3C WERV-C3C	WERV-A5C WERV-C5C
1	S552-229-*	Service Door		X	
1	S552-231-*	Service Door			X
1	S552-236-*	Service Door	X		
2	7003-033	Mist Eliminator		X	
2	7003-035	Mist Eliminator			X
2	7003-034	Mist Eliminator	X		
3	8611-057	Bushing	2	2	2
4	8611-059	Canoe Clip	2	2	2
5	962033	Beige Rain Hood Complete with Mist Eliminator		X	
5	962034	White Rain Hood Complete with Mist Eliminator		X	
5	962035	Mesa Tan Rain Hood Complete with Mist Eliminator		X	
5	962056	Desert Brown Rain Hood Complete with Mist Eliminator		X	
5	962037	Buckeye Gray Rain Hood Complete with Mist Eliminator		X	
5	962040	Beige Rain Hood Complete with Mist Eliminator			X
5	962041	White Rain Hood Complete with Mist Eliminator			X
5	962042	Mesa Tan Rain Hood Complete with Mist Eliminator			X
5	962057	Desert Brown Rain Hood Complete with Mist Eliminator			X
5	962044	Buckeye Gray Rain Hood Complete with Mist Eliminator			X
5	962049	Beige Rain Hood Complete with Mist Eliminator	X		
5	962050	White Rain Hood Complete with Mist Eliminator	X		
5	962051	Mesa Tan Rain Hood Complete with Mist Eliminator	X		
5	962055	Desert Brown Rain Hood Complete with Mist Eliminator	X		
5	962053	Buckeye Gray Rain Hood Complete with Mist Eliminator	X		

* Exterior cabinet parts are manufactured with various color options. To insure that you receive the proper color, you must include the complete models and serial number of the unit for which parts are being ordered.

CONTROL PANEL

Drawing No.	Part No.	Description	WERV-A2B	WERV-C2B	WERV-A3C	WERV-C3C	WERV-A5C	WERV-C5C
1	117-265	Control Panel	X	X	X	X		
1	117-266	Control Panel					X	X
2	8552-060	Cassette Motor Capacitor	X	X				
2	8552-070	Cassette Motor Capacitor			X	X	X	X
3	8201-008	Blower Relay	X		X		X	
3	8201-032	Blower Relay		X		X		X
4	8407-043	Transformer	X	X	X	X	X	X
5	400-0087	Terminal Block	X	X	X	X	X	X
6	910-1637	Terminal Block			X	X	X	X



SEXP-454

BLOWER ASSEMBLY

Drawing No.	Part No.	Description	ALL MODELS
1	5152-078	Blower Wheel	1
2	144-188	Inlet Ring	2
3	151-119	Blower Housing	1

