
REPLACEMENT PARTS MANUAL

ECONOMIZER

MODELS: **CHEIFM-5-4**
CHEIFM-5-X

General Notes

- Revised and/or additional pages may be issued from time to time.
- A complete and current manual consists of pages shown in the following contents section.

Important

- Contact the installing and/or local Bard distributor for all parts requirements. Make sure you have the complete model and serial number available from the unit rating plates.

Contents

Description	Page
Functional and Cabinet Components	
♦ Exploded View	2
♦ Exploded View	3
♦ Usage List	4
Rain Hood and Service Door	
♦ Exploded View	5
♦ Usage List	6



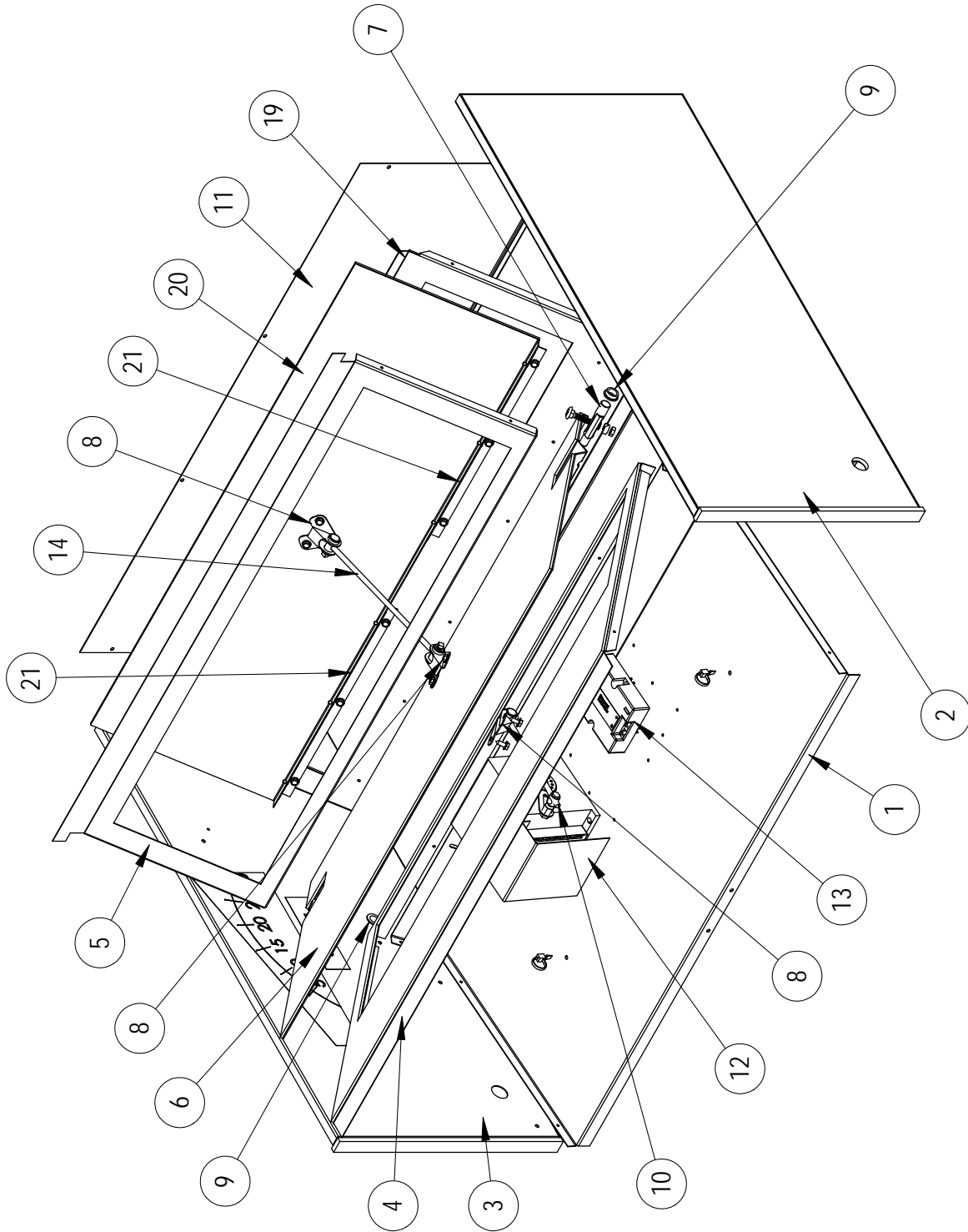
Bard Manufacturing Company, Inc.
Bryan, Ohio 43506
Since 1914...Moving ahead, just as planned.

Manual: 2110-689C
Supersedes: 2110-689B
File: Vol III Tab 19
Date: 05-04-12

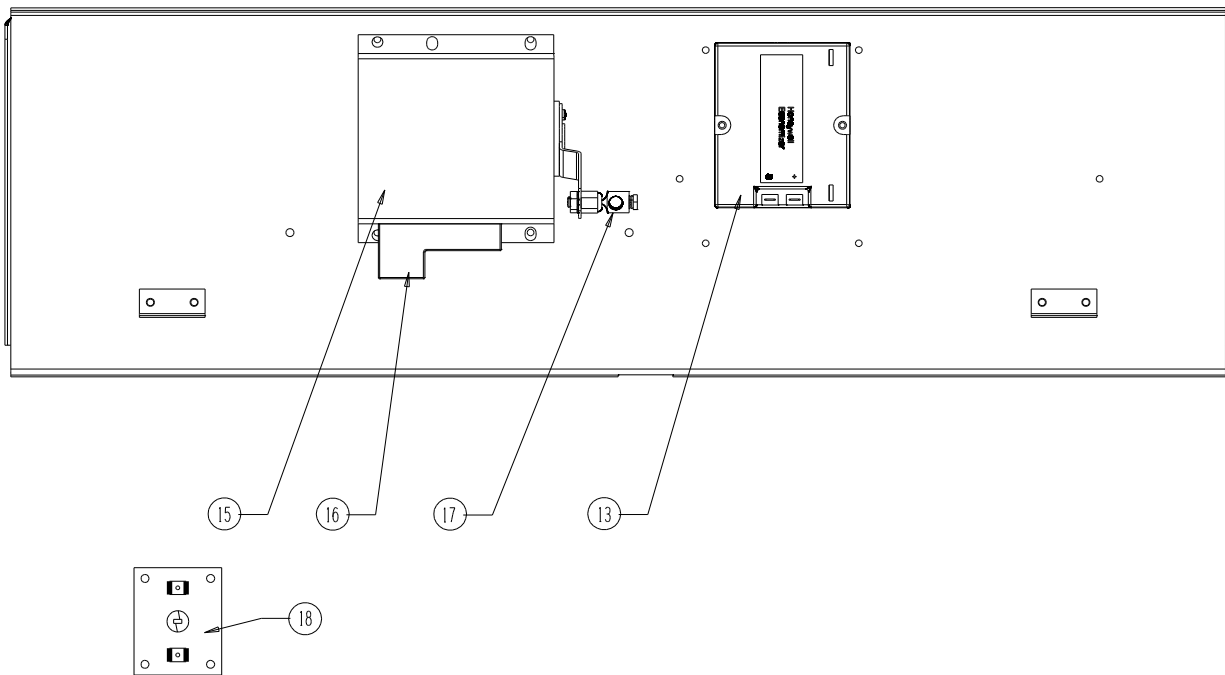
FUNCTIONAL and CABINET COMPONENTS

SEXP-490

CHEIFM-5



FUNCTIONAL and CABINET COMPONENTS

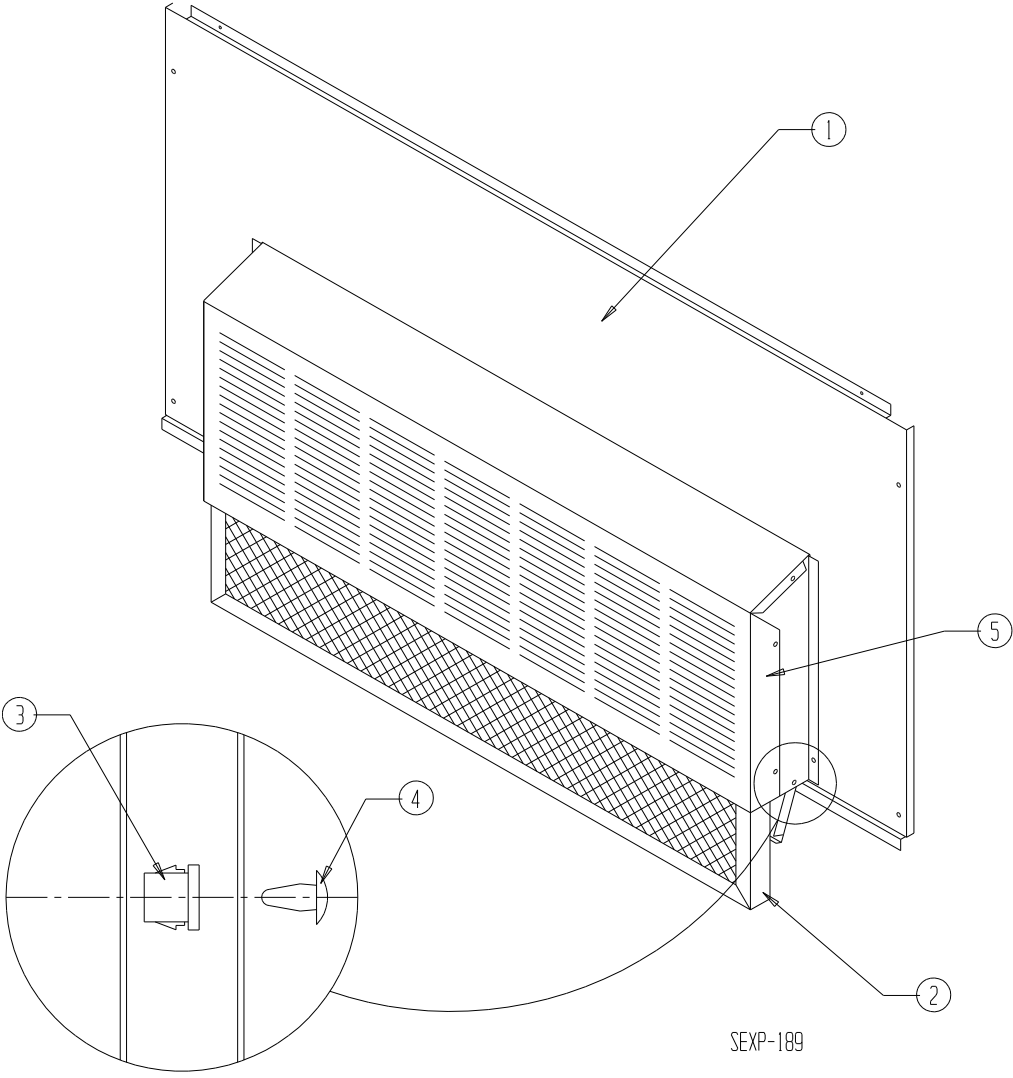


SEXP-186

FUNCTIONAL and CABINET COMPONENTS

Drawing No.	Part No.	Description	CHEIFM-5-*
1	127-359	Base	X
2	S101X498	Right Side	X
3	S101Y498	Left Side	X
4	S121-421	Front Partition	X
5	121-422	Middle Partition	X
6	S138-207	Front Blade	X
7	8602-038	Damper Blade Pin	2
8	8602-040	Bracket	3
9	8602-052	Bronze Bushing	2
10	8602-042	6" Rod	X
11	108-203	Economizer Back	X
12	134-168	Wire Shield	X
13	8602-064	Enthalpy Sensor	X
14	8602-054	8-1/2" Rod	X
15	8602-037	Damper Motor	X
16	8602-053	Logic Module	X
17	8602-008	Ball Joint	X
18	8602-018	Thermistor Sensor	X
19	S121-423	Rear Partition	X
20	S139-208	Rear Blade without Hinges	X
21	5400-002	Hinge	2
NS	112-264	Thermistor Bracket	X
NS	4056-135	Wiring Diagram	X

RAIN HOOD and SERVICE DOOR



RAIN HOOD and SERVICE DOOR

Drawing No.	Part No.	Description	CHEIFM-5-X	CHEIFM-5-4
1	553-408-*	Service Door	X	X
2	7003-061	Mist Eliminator	X	X
3	8611-057	Bushing	2	2
4	8611-059	Canoe Clip	2	2
5	920-0033	Beige Rain Hood Complete w/Mist Eliminator	X	
5	920-0034	Buckeye Gray Rain Hood Complete w/Mist Eliminator		X