
REPLACEMENT PARTS MANUAL

DIRECT DIGITAL CONTROLLER

Models: **TCS23**

General Notes

- Revised and/or additional pages may be issued from time to time.
- A complete and current manual consists of pages shown in the following contents section.

Contents

Description	Page
Functional Components	
♦ Exploded View	2
Cabinet Components – TSC23	
♦ Exploded View	3
Functional and Cabinet Components – TSC23	
♦ Usage List	4

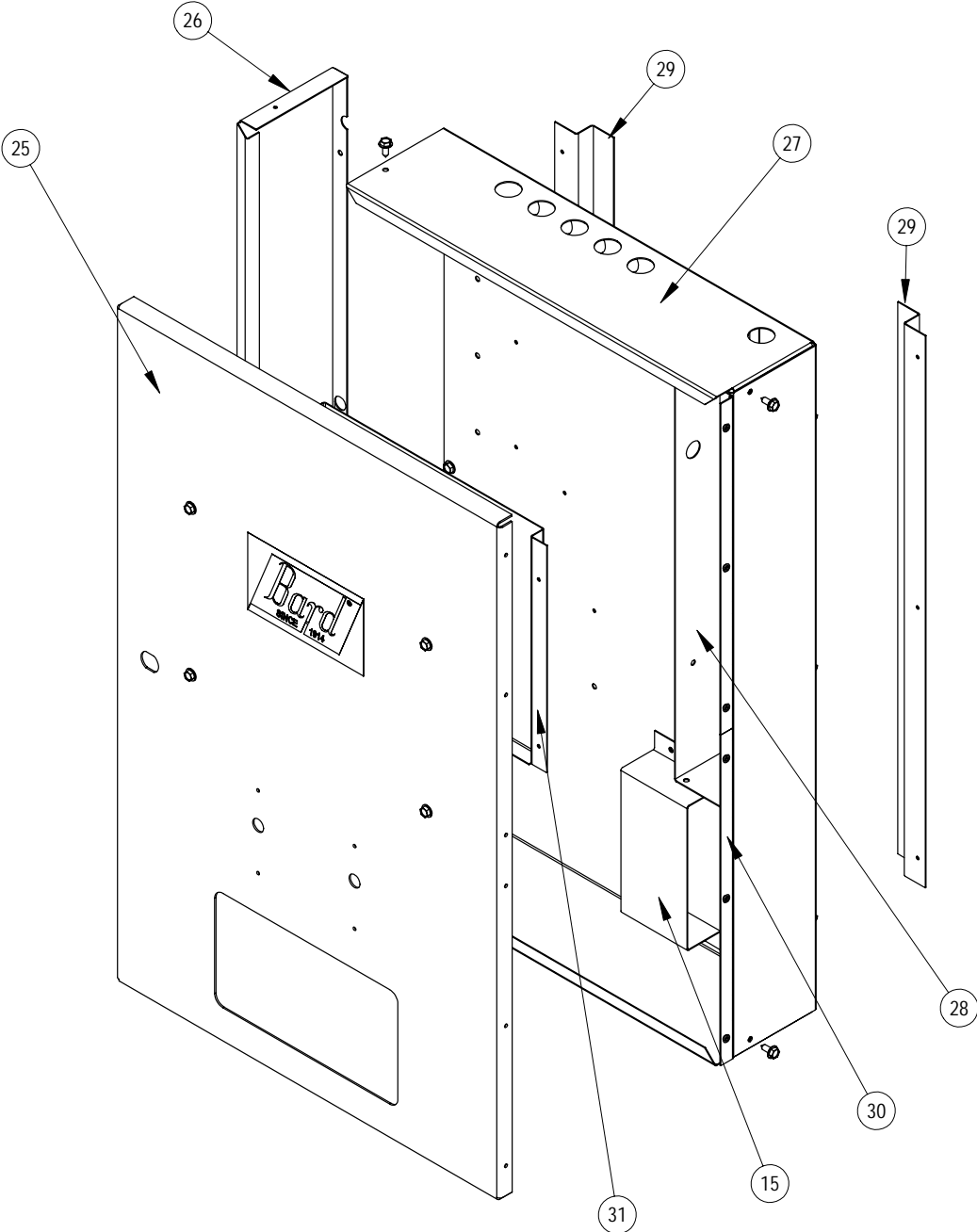


Bard Manufacturing Company, Inc.
Bryan, Ohio 43506

Since 1914...Moving ahead, just as planned.

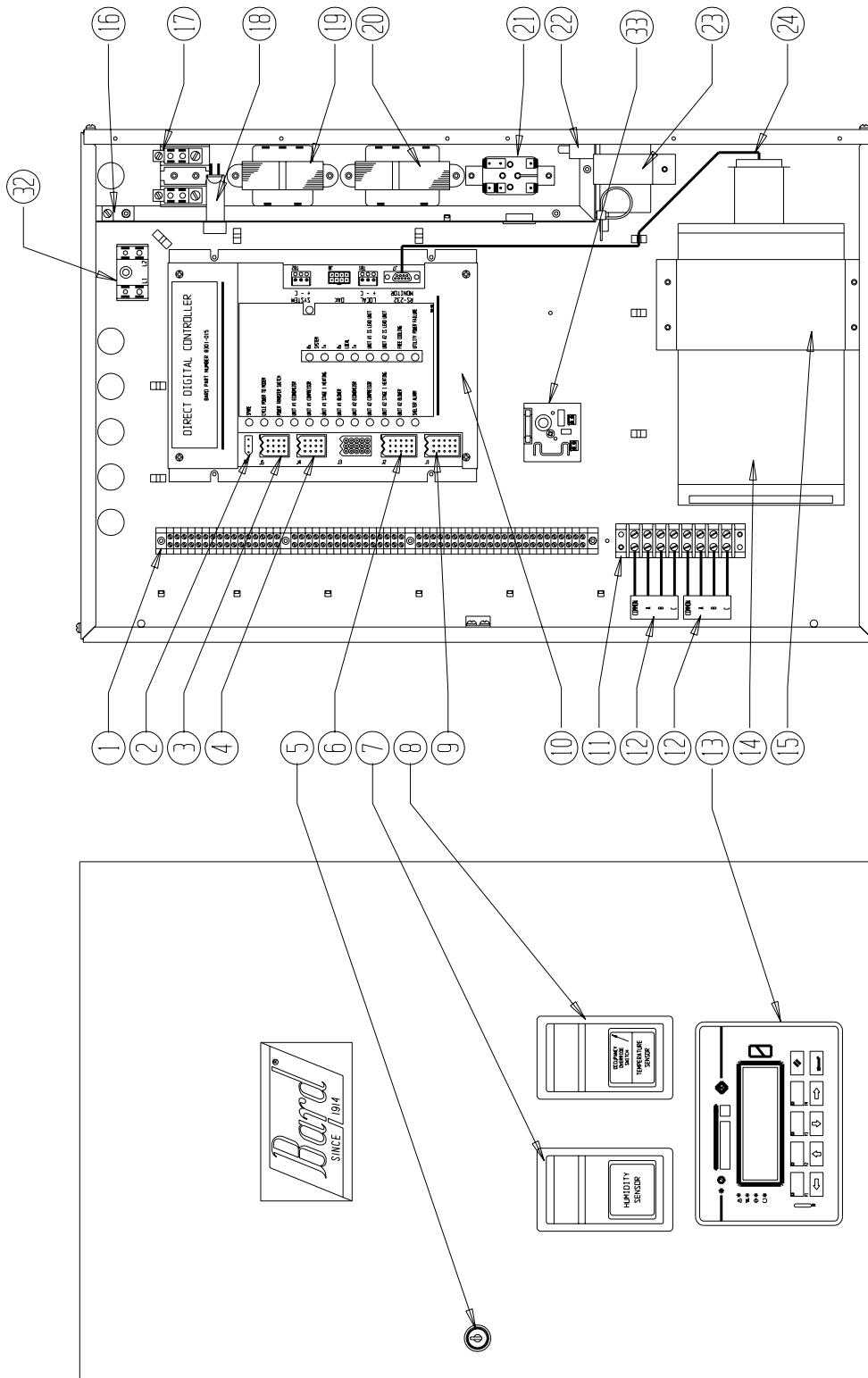
Manual: 2110-690A
Supersedes: 2110-690
File: Tab 19
Date: 10-17-08

FUNCTIONAL COMPONENTS



SEXP-406 A

TSC23 – CABINET COMPONENTS



MIS-1901

FUNCTIONAL and CABINET COMPONENTS – TCS23

Drawing No.	Part No.	Description	TCS23-XXX	TCS23-XDX	TCS23-XDM	TCS23-XXM	TCS23-HXX	TCS23-HDX	TCS23-HDM	TCS23-HXM	TCS23-XXE	TCS23-XDE	TCS23-HXE	TCS23-HDE
1	8607-023	Terminal Strip	X	X	X	X	X	X	X	X	X	X	X	X
2	3000-1039	Wire Harness #1	X	X	X	X	X	X	X	X	X	X	X	X
3	3000-1035	Wire Harness #2	X	X	X	X	X	X	X	X	X	X	X	X
4	3000-1036	Wire Harness #3	X	X	X	X	X	X	X	X	X	X	X	X
5	3000-1037	Wire Harness #4	X	X	X	X	X	X	X	X	X	X	X	X
6	1171-034	Keylatch	X	X	X	X	X	X	X	X	X	X	X	X
7	8301-020	Indoor Humidity Sensor					X	X	X	X			X	X
8	8301-017	Indoor temperature Sensor	X	X	X	X	X	X	X	X	X	X	X	X
9	3000-1038	Wire Harness #5	X	X	X	X	X	X	X	X	X	X	X	X
10	S8301-015-***	Controller (See Note 1)	X	X	X	X	X	X	X	X	X	X	X	X
11	8607-006	Terminal Strip	X	X	X	X	X	X	X	X	X	X	X	X
12	8301-021	Resistor Network	2	2	2	2	2	2	2	2	2	2	2	2
13	S8301-031-***	Display & Keypad (See Note 1)		X	X			X	X			X		X
14	8301-036	Modem			X	X			X	X				
14	8301-034	Etherlink									X	X	X	X
15	112-223	Modem Bracket			X	X			X	X				
16	8611-006	Ground Lug	X	X	X	X	X	X	X	X	X	X	X	X
17	8607-013	Treminal Block	X	X	X	X	X	X	X	X	X	X	X	X
18	8614-036	Circuit Breaker	X	X	X	X	X	X	X	X	X	X	X	X
19	8407-041	Transformer #1 120/208/240 x 24, 40VA	X	X	X	X	X	X	X	X	X	X	X	X
20	8407-043	Transformer #2 208/240/480 x 115, 60VA									X	X	X	X
21	8201-062	Relay									X	X	X	X
22	8611-093	Receptacle									X	X	X	X
23	112-224	Power Supply Bracket									X	X	X	X
24	8301-029	Null Modem Cable									X	X	X	X
25	133-169-X	Cover without DAK	X			X	X			X	X		X	
25	133-181-X	Cover with DAK		X	X			X	X			X		X
26	101-401-X	Side	X	X	X	X	X	X	X	X	X	X	X	X
27	126-320-X	Base	X	X	X	X	X	X	X	X	X	X	X	X
28	116-180	High Voltage Partition	X	X	X	X	X	X	X	X	X	X	X	X
29	105-1120-X	Base Rail	2	2	2	2	2	2	2	2	2	2	2	2
32	8607-017	Terminal Block	X	X	X	X	X	X	X	X	X	X	X	X
33	8301-033	Power Supply 24VAC	X	X	X	X	X	X	X	X	X	X	X	X
NS	8301-019	Outdoor Humidity Sensor	X	X	X	X	X	X	X	X	X	X	X	X
NS	8301-018	Outdoor Temperature Sensor	X	X	X	X	X	X	X	X	X	X	X	X
NS	8301-032	Epad Cable		X	X			X	X			X		X
NS	4093-147	Wiring Diagram	X	X	X	X	X	X	X	X	X	X	X	X

Note 1 The last three numbers of the controller or display & keypad part number will be the same as the last three numbers of the TCS23 model number.

For example: TCS23-XDM-002 = S8301-015-002 or TCS23-XDM-002 = S8301-031-002