

---

# REPLACEMENT PARTS MANUAL

# ECONOMIZER

MODELS: **ECONWMT-T5\***  
**ECONWMT-E5\***

---

## General Notes

- Revised and/or additional pages may be issued from time to time.
- A complete and current manual consists of pages shown in the following contents section.

## Important

- Contact the installing and/or local Bard distributor for all parts requirements. Make sure you have the complete model and serial number available from the unit rating plates.

## Contents

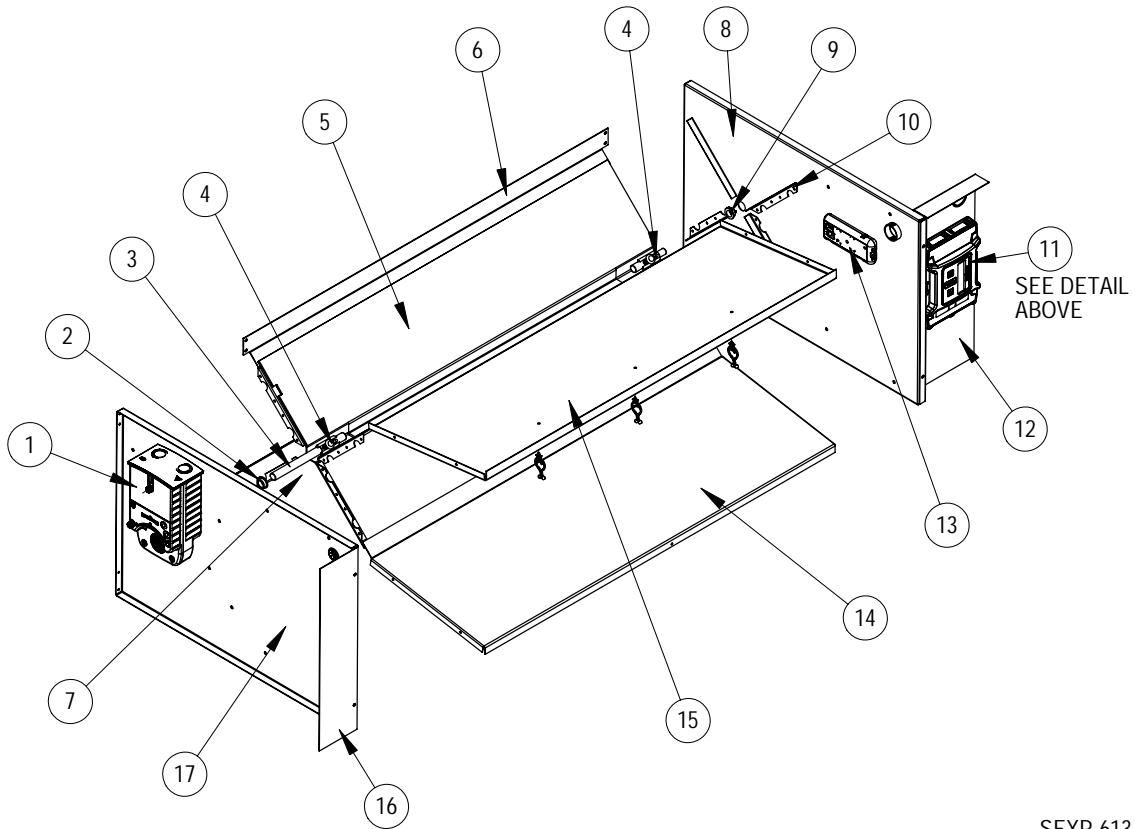
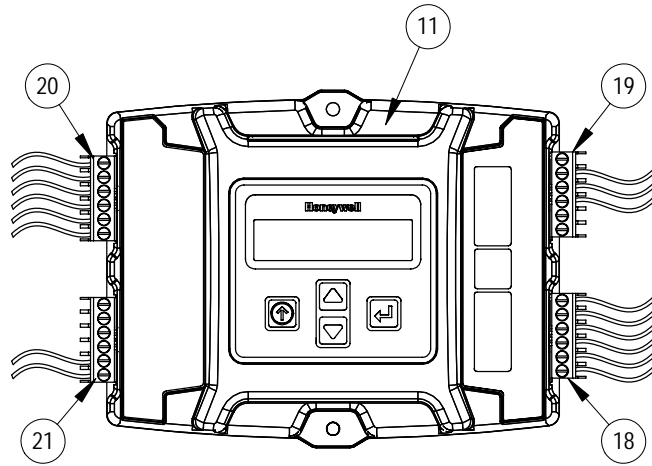
Description	Page
Economizer & Control	
♦ Exploded View .....	2
♦ Usage List .....	3
Economizer Air Hood	
♦ Exploded View .....	4
♦ Usage List .....	5

---

BMC, Inc.  
Bryan, Ohio 43506

AManual: 2110-694B  
Supersedes: 2110-694A  
File: Vol. III Tab 19  
Date: 09-21-11

# ECONOMIZER and CONTROL



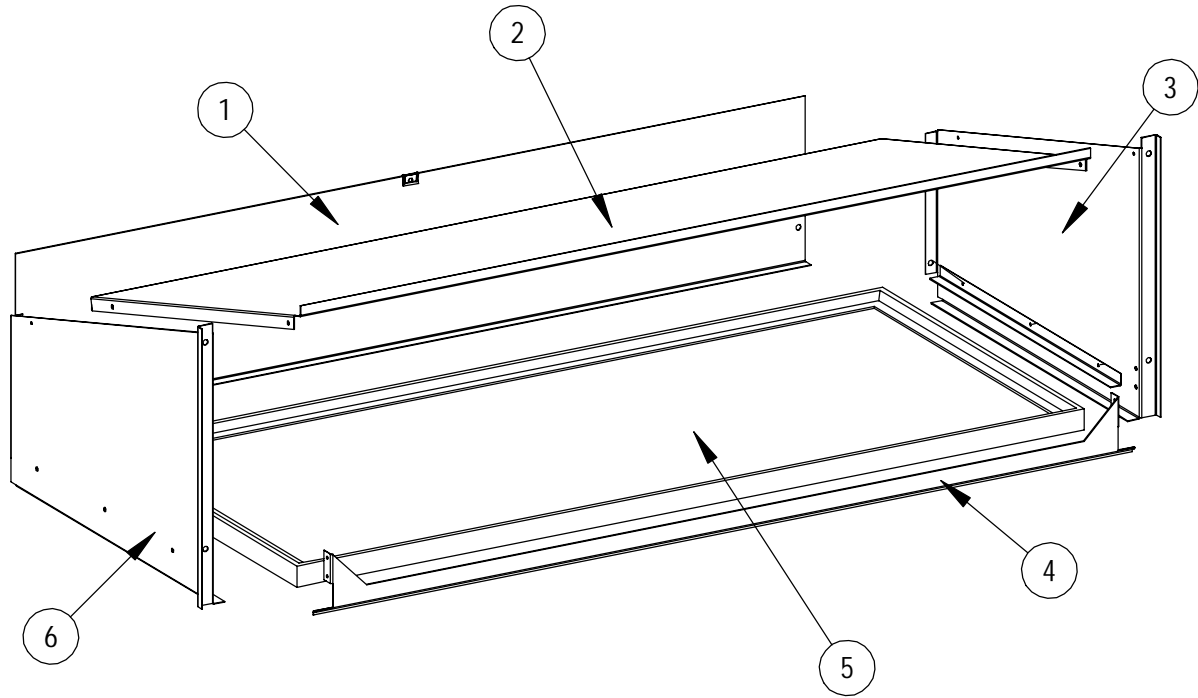
SEXP-613

# ECONOMIZER and CONTROL

Drawing No.	Part No.	Description	ECONWMT-T5	ECONWMT-E5
1	8602-059	Direct Coupled Actuator	X	X
2	8602-052	1/2" I.D. Bronze Bushing	X	X
3	8602-060	Drive Pin 1/2"	X	X
4	8602-038	Damper Pin with Hardware	2	2
5	S139-239	Damper Blade	X	X
6	105-1231	Rear Upper Angle	X	X
7	105-1230	Rear Lower Angle	X	X
8	S101-607	Right Side	X	X
9	8602-039	Bronze Bushing	X	X
10	105-1229	Economizer Angle	4	4
11	S8602-056-0001	Economizer Module - Programmed	X	
11	S8602-056-0002	Economizer Module - Programmed		X
12	S137-612	Right Fill Plate	X	X
13	8602-058	Temperature Sensor - Outdoor Air	X	
13	8602-063	Enthalpy Sensor - Outdoor Air		X
13A	8602-058	Temperature Sensor - Mixed Air	X	X
14	127-394	Lower Partition/Base	X	X
15	137-611	Upper Partition	X	X
16	137-613	Left Fill Plate	X	X
17	S101-606	Left Side	X	X
18	3000-1381	Wire Harness	X	X
19	3000-1382	Wire Harness	X	X
20	3000-1383	Wire Harness	X	X
21	3000-1384	Wire Harness	X	X
NS	S136-632	Condenser Cover Plate	X	X

# ECONOMIZER AIR HOOD

---



SEXP-614

# ECONOMIZER AIR HOOD

Drawing No.	Part No.	Description	ECONWMT-T5 HOOD	ECONWMT-E5 HOOD
1	S139-241-* ①	Mist Eliminator Door	X	
1	S139-250 ②	Mist Eliminator Door	X	
1	S139-254 ③	Mist Eliminator Door	X	
2	S139-245-* ①	Air Hood Top	X	
2	S139-253 ②	Air Hood Top	X	
2	S139-257 ③	Air Hood Top	X	
3	S139-242-* ①	Air Hood Left Side	X	
3	S139-251 ②	Air Hood Left Side	X	
3	S139-255 ③	Air Hood Left Side	X	
4	109-249-* ①	Air Hood Back Angle	X	
4	109-255 ②	Air Hood Back Angle	X	
4	109-256 ③	Air Hood Back Angle	X	
5	7003-062	Mist Filter	X	
6	S139-243-* ①	Air Hood Right Side	X	
6	S139-252 ②	Air Hood Right Side	X	
6	S139-256 ③	Air Hood Right Side	X	
NS	S553-384-* ①	Filter Door Assembly	X	
NS	S552-457 ②	Filter Door Assembly	X	
NS	S552-450 ③	Filter Door Assembly	X	

① Exterior cabinet parts are manufactured with various paint color options. To insure that you receive the proper paint color, you must include the complete model and serial number of the unit for which cabinet parts are being ordered.

② Note: Exterior cabinet parts are manufactured from aluminum Code "A"

③ Note: Exterior cabinet parts are manufactured from stainless steel Code "S"

NS = Not Shown