

---

# REPLACEMENT PARTS MANUAL

## ECONOMIZER

### MODELS:

**ECONWMT-T2\*, -T3\*, -T5\***  
**ECONWMT-E2\*, -E3\*, -E5\***  
**ECONWMS-E2\*, -E3\*, -E5\***

---

### General Notes

- Revised and/or additional pages may be issued from time to time.
- A complete and current manual consists of pages shown in the following contents section.

### Important

- Contact the installing and/or local Bard distributor for all parts requirements. Make sure you have the complete model and serial number available from the unit rating plates.

### Contents

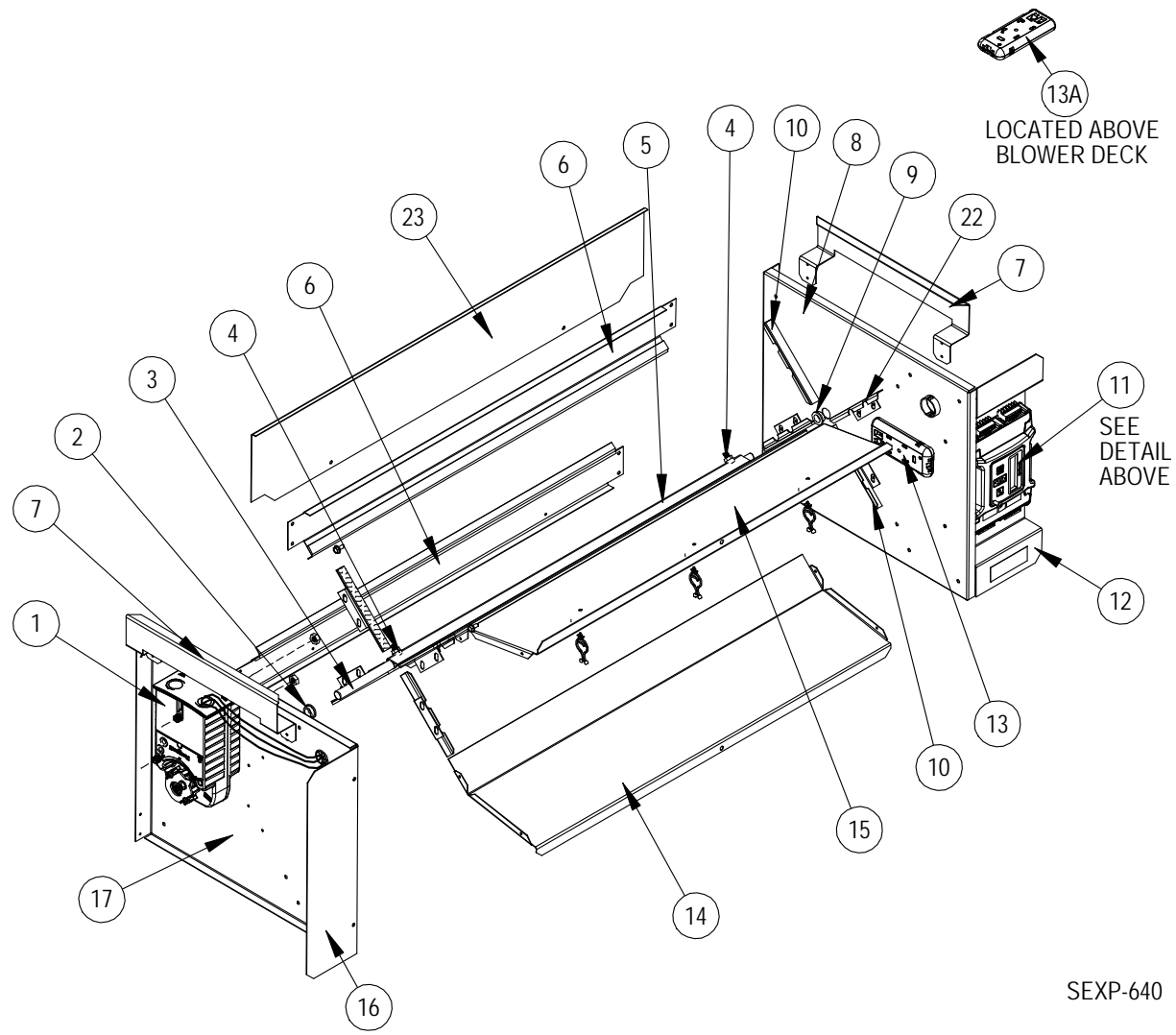
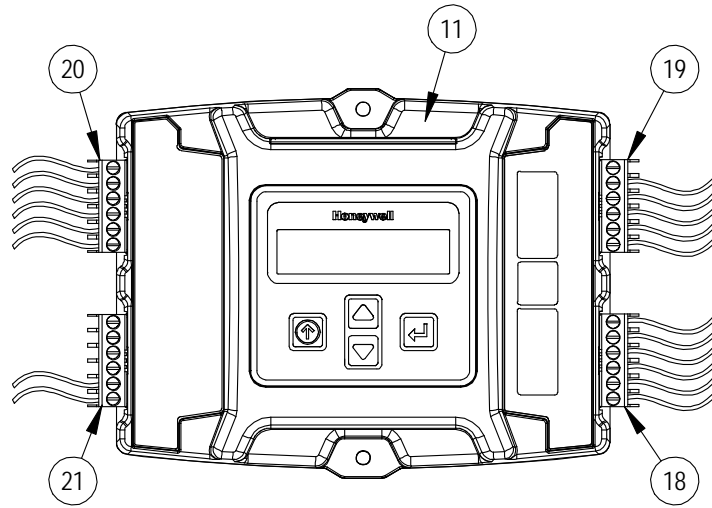
| <u>Description</u>    | <u>Page</u> |
|-----------------------|-------------|
| Economizer & Control  |             |
| ◆ Exploded View ..... | 2           |
| ◆ Usage List .....    | 3           |
| ◆ Usage List .....    | 4           |
| ◆ Exploded View ..... | 5           |
| ◆ Usage List .....    | 6           |
| ◆ Exploded View ..... | 6           |
| ◆ Usage List .....    | 7           |
| Economizer Air Hood   |             |
| ◆ Exploded View ..... | 7           |
| ◆ Usage List .....    | 8           |
| ◆ Usage List .....    | 9           |

---

BMC, Inc.  
Bryan, Ohio 43506

Manual: 2110-694E  
Supersedes: 2110-694D  
File: Vol. III Tab 19  
Date: 04-16-12

# ECONOMIZER and CONTROL



SEXP-640

# ECONOMIZER and CONTROL

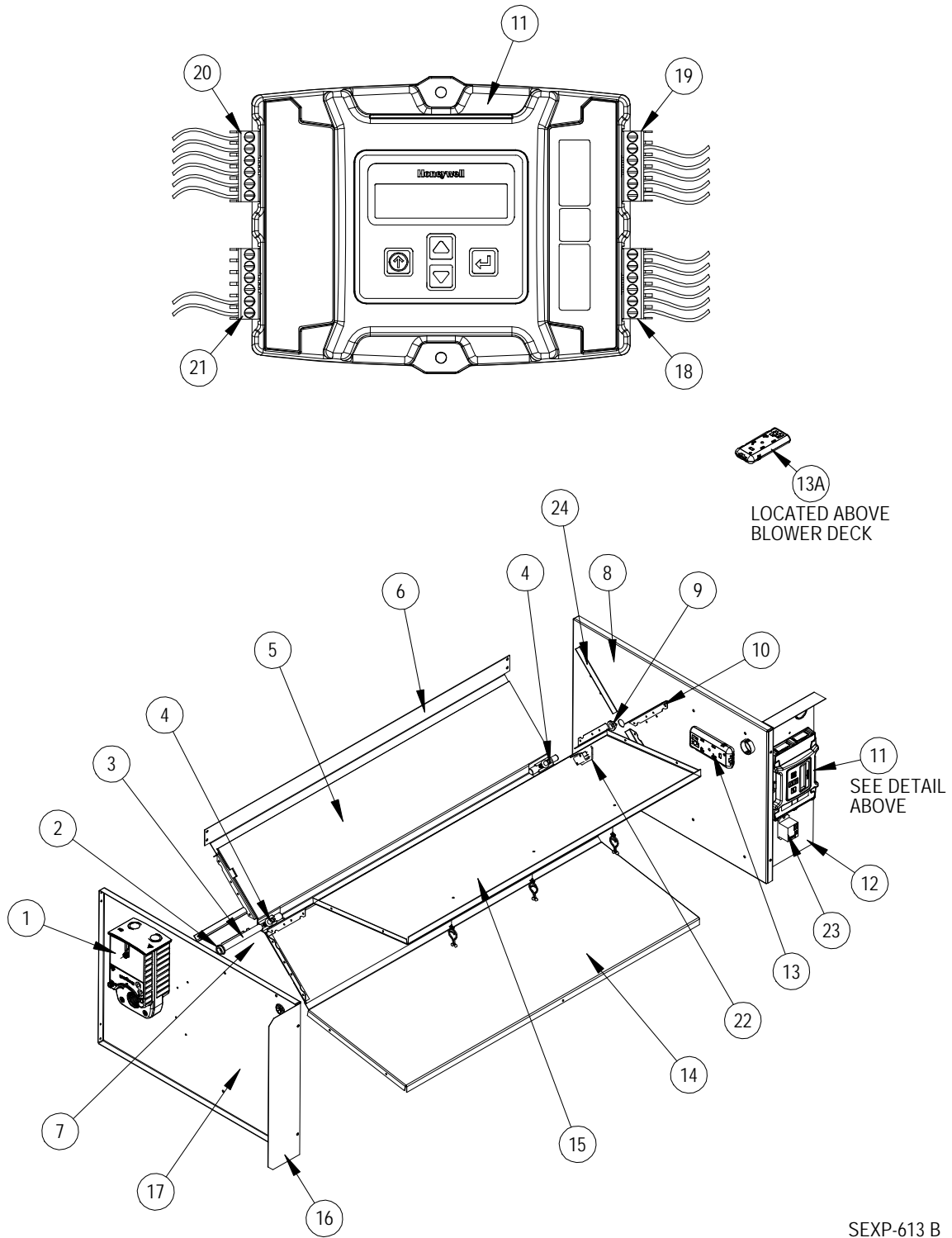
| Drawing No. | Part No.       | Description                      | ECONWMT-T2 | ECONWMT-E2 | ECONWMS-E2 |
|-------------|----------------|----------------------------------|------------|------------|------------|
| 1           | 8602-059       | Direct Coupled Actuator          | X          | X          | X          |
| 2           | 8602-052       | 1/2" I.D. Bronze Bushing         | X          | X          | X          |
| 3           | 8602-060       | Drive Pin 1/2"                   | X          | X          | X          |
| 4           | 8602-038       | Damper Pin with Hardware         | 2          | 2          | 2          |
| 5           | S139-276       | Damper Blade                     | X          | X          | X          |
| 6           | 105-1267       | Rear Upper Angle                 | 2          | 2          | 2          |
| 7           | 105-1266       | Filter Angle                     | 2          | 2          | 2          |
| 8           | S101-627       | Right Side                       | X          | X          | X          |
| 9           | 8602-039       | Bronze Bushing                   | X          | X          | X          |
| 10          | S105Y1248      | Left Economizer Angle            | 4          | 4          | 4          |
| 11          | S8602-056-0001 | Economizer Module - Programmed   | X          |            |            |
| 11          | S8602-056-0002 | Economizer Module - Programmed   |            | X          |            |
| 11          | S8602-056-0003 | Economizer Module - Programmed   |            |            | X          |
| 12          | S137-634       | Right Fill Plate                 | X          | X          | X          |
| 13          | 8602-058       | Temperature Sensor - Outdoor Air | X          |            |            |
| 13          | 8602-063       | Enthalpy Sensor - Outdoor Air    |            | X          | X          |
| 13A         | 8602-058       | Temperature Sensor - Mixed Air   | X          | X          | X          |
| 14          | 127-414        | Lower Partition/Base             | X          | X          | X          |
| 15          | 121-461        | Upper Partition                  | X          | X          | X          |
| 16          | 136-635        | Left Fill Plate                  | X          | X          | X          |
| 17          | S101-628       | Left Side                        | X          | X          | X          |
| 18          | 3000-1381      | Wire Harness                     | X          | X          | X          |
| 19          | 3000-1382      | Wire Harness                     | X          | X          | X          |
| 20          | 3000-1383      | Wire Harness                     | X          |            |            |
| 20          | 3000-1395      | Wire Harness                     |            | X          | X          |
| 21          | 3000-1384      | Wire Harness                     | X          | X          | X          |
| 22          | S105X1248      | Right Economizer Angle           | X          | X          | X          |
| 23          | 105-1250       | Return Fill                      | X          | X          | X          |
| 24          | S105X1229      | Right Economizer Angle           | 3          | 3          | 3          |
| NS          | S136-664       | Condenser Cover Plate            | X          | X          | X          |
| NS          | 105-1277       | Blade Angle                      | X          | X          | X          |

# ECONOMIZER and CONTROL

---

| Drawing No. | Part No.       | Description                      | ECONWMT-T3 | ECONWMT-E3 | ECONWMS-E3 |
|-------------|----------------|----------------------------------|------------|------------|------------|
| 1           | 8602-059       | Direct Coupled Actuator          | X          | X          | X          |
| 2           | 8602-052       | 1/2" I.D. Bronze Bushing         | X          | X          | X          |
| 3           | 8602-060       | Drive Pin 1/2"                   | X          | X          | X          |
| 4           | 8602-038       | Damper Pin with Hardware         | 2          | 2          | 2          |
| 5           | S139-261       | Damper Blade                     | X          | X          | X          |
| 6           | 105-1244       | Rear Upper Angle                 | 2          | 2          | 2          |
| 7           | 105-1266       | Filter Angle                     | 2          | 2          | 2          |
| 8           | S101-627       | Right Side                       | X          | X          | X          |
| 9           | 8602-039       | Bronze Bushing                   | X          | X          | X          |
| 10          | S105Y1248      | Left Economizer Angle            | 4          | 4          | 4          |
| 11          | S8602-056-0001 | Economizer Module - Programmed   | X          |            |            |
| 11          | S8602-056-0002 | Economizer Module - Programmed   |            | X          |            |
| 11          | S8602-056-0003 | Economizer Module - Programmed   |            |            | X          |
| 12          | S137-634       | Right Fill Plate                 | X          | X          | X          |
| 13          | 8602-058       | Temperature Sensor - Outdoor Air | X          |            |            |
| 13          | 8602-063       | Enthalpy Sensor - Outdoor Air    |            | X          | X          |
| 13A         | 8602-058       | Temperature Sensor - Mixed Air   | X          | X          | X          |
| 14          | 127-412        | Lower Partition/Base             | X          | X          | X          |
| 15          | 121-460        | Upper Partition                  | X          | X          | X          |
| 16          | 136-635        | Left Fill Plate                  | X          | X          | X          |
| 17          | S101-628       | Left Side                        | X          | X          | X          |
| 18          | 3000-1381      | Wire Harness                     | X          | X          | X          |
| 19          | 3000-1382      | Wire Harness                     | X          | X          | X          |
| 20          | 3000-1383      | Wire Harness                     | X          |            |            |
| 20          | 3000-1395      | Wire Harness                     |            | X          | X          |
| 21          | 3000-1384      | Wire Harness                     | X          | X          | X          |
| 22          | S105X1248      | Right Economizer Angle           | X          | X          | X          |
| 23          | 105-1250       | Return Fill                      | X          | X          | X          |
| 24          | S105X1229      | Right Economizer Angle           | 3          | 3          | 3          |
| NS          | S136-653       | Condenser Cover Plate            | X          | X          | X          |
| NS          | 105-1277       | Blade Angle                      | X          | X          | X          |

# ECONOMIZER and CONTROL



SEXP-613 B

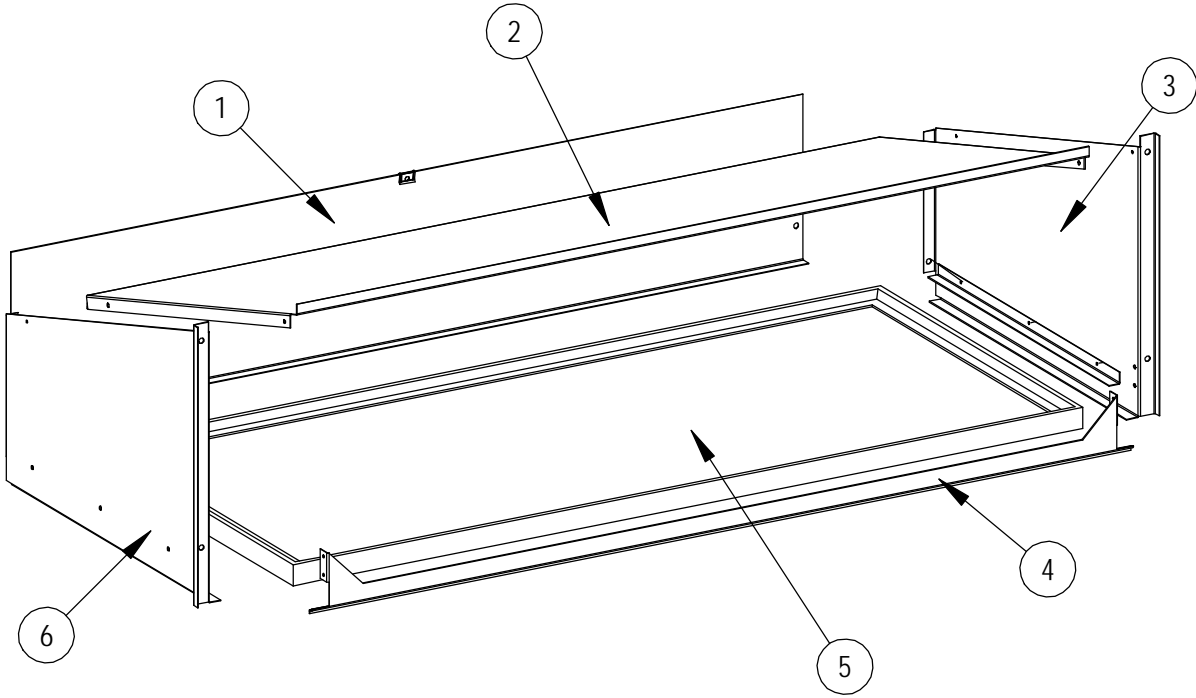
# ECONOMIZER and CONTROL

---

| Drawing No. | Part No.       | Description                      | ECONWMT-T5 | ECONWMT-E5 | ECONWMS-E5 |
|-------------|----------------|----------------------------------|------------|------------|------------|
| 1           | 8602-059       | Direct Coupled Actuator          | X          | X          | X          |
| 2           | 8602-052       | 1/2" I.D. Bronze Bushing         | X          | X          | X          |
| 3           | 8602-060       | Drive Pin 1/2"                   | X          | X          | X          |
| 4           | 8602-038       | Damper Pin with Hardware         | 2          | 2          | 2          |
| 5           | S139-239       | Damper Blade                     | X          | X          | X          |
| 6           | 105-1231       | Rear Upper Angle                 | X          | X          | X          |
| 7           | 105-1230       | Rear Lower Angle                 | X          | X          | X          |
| 8           | S101-607       | Right Side                       | X          | X          | X          |
| 9           | 8602-039       | Bronze Bushing                   | X          | X          | X          |
| 10          | S105Y1229      | Left Economizer Angle            | 4          | 4          | 4          |
| 11          | S8602-056-0001 | Economizer Module - Programmed   | X          |            |            |
| 11          | S8602-056-0002 | Economizer Module - Programmed   |            | X          |            |
| 11          | S8602-056-0003 | Economizer Module - Programmed   |            |            | X          |
| 12          | S137-612       | Right Fill Plate                 | X          | X          | X          |
| 13          | 8602-058       | Temperature Sensor - Outdoor Air | X          |            |            |
| 13          | 8602-063       | Enthalpy Sensor - Outdoor Air    |            | X          | X          |
| 13A         | 8602-058       | Temperature Sensor - Mixed Air   | X          | X          | X          |
| 14          | 127-394        | Lower Partition/Base             | X          | X          | X          |
| 15          | 137-611        | Upper Partition                  | X          | X          | X          |
| 16          | 137-613        | Left Fill Plate                  | X          | X          | X          |
| 17          | S101-606       | Left Side                        | X          | X          | X          |
| 18          | 3000-1381      | Wire Harness                     | X          | X          | X          |
| 19          | 3000-1382      | Wire Harness                     | X          | X          | X          |
| 20          | 3000-1383      | Wire Harness                     | X          |            |            |
| 20          | 3000-1395      | Wire Harness                     |            | X          | X          |
| 21          | 3000-1384      | Wire Harness                     | X          | X          | X          |
| 22          | 8406-133       | Blade Switch                     | X          | X          |            |
| 23          | 8201-130       | Relay                            | X          | X          |            |
| 24          | S105X1229      | Right Economizer Angle           | 4          | 4          | 4          |
| NS          | S136-632       | Condenser Cover Plate            | X          | X          | X          |

# ECONOMIZER AIR HOOD

---



SEXP-614

# ECONOMIZER AIR HOOD

|    |              |                      | ECONWMT-T2 HOOD<br>ECONWMT-E2 HOOD | ECONWMT-T3 HOOD<br>ECONWMT-E3 HOOD | ECONWMT-T5 HOOD<br>ECONWMT-E5 HOOD |
|----|--------------|----------------------|------------------------------------|------------------------------------|------------------------------------|
| 1  | S139-278-* ① | Mist Eliminator Door | X                                  |                                    |                                    |
| 1  | S139-268-* ① | Mist Eliminator Door |                                    | X                                  |                                    |
| 1  | S139-241-* ① | Mist Eliminator Door |                                    |                                    | X                                  |
| 2  | S139-277-* ① | Air Hood Top         | X                                  |                                    |                                    |
| 2  | S139-267-* ① | Air Hood Top         |                                    | X                                  |                                    |
| 2  | S139-245-* ① | Air Hood Top         |                                    |                                    | X                                  |
| 3  | S139-266-* ① | Air Hood Left Side   | X                                  | X                                  |                                    |
| 3  | S139-242-* ① | Air Hood Left Side   |                                    |                                    | X                                  |
| 4  | 109-267-* ①  | Air Hood Back Angle  | X                                  |                                    |                                    |
| 4  | 109-262-* ①  | Air Hood Back Angle  |                                    | X                                  |                                    |
| 4  | 109-249-* ①  | Air Hood Back Angle  |                                    |                                    | X                                  |
| 5  | 7003-067     | Mist Filter          | X                                  |                                    |                                    |
| 5  | 7003-066     | Mist Filter          |                                    | X                                  |                                    |
| 5  | 7003-062     | Mist Filter          |                                    |                                    | X                                  |
| 6  | S139-265-* ① | Air Hood Right Side  | X                                  | X                                  |                                    |
| 6  | S139-243-* ① | Air Hood Right Side  |                                    |                                    | X                                  |
| NS | S553-452-* ① | Filter Door Assembly | X                                  |                                    |                                    |
| NS | S552-444-* ① | Filter Door Assembly |                                    | X                                  |                                    |
| NS | S552-384-* ① | Filter Door Assembly |                                    |                                    | X                                  |

① Exterior cabinet parts are manufactured with various paint color options. To ensure that you receive the proper paint color, you must include the complete model and serial number of the unit for which cabinet parts are being ordered.

NS = Not Shown