
REPLACEMENT PARTS MANUAL

ECONOMIZER

MODELS:

ECONWMT-T2*, -T3*, -T5*
ECONWMT-E2*, -E3*, -E5*
ECONWMS-E2*, -E3*, -E5*

General Notes

- Revised and/or additional pages may be issued from time to time.
- A complete and current manual consists of pages shown in the following contents section.

Important

- Contact the installing and/or local Bard distributor for all parts requirements. Make sure you have the complete model and serial number available from the unit rating plates.

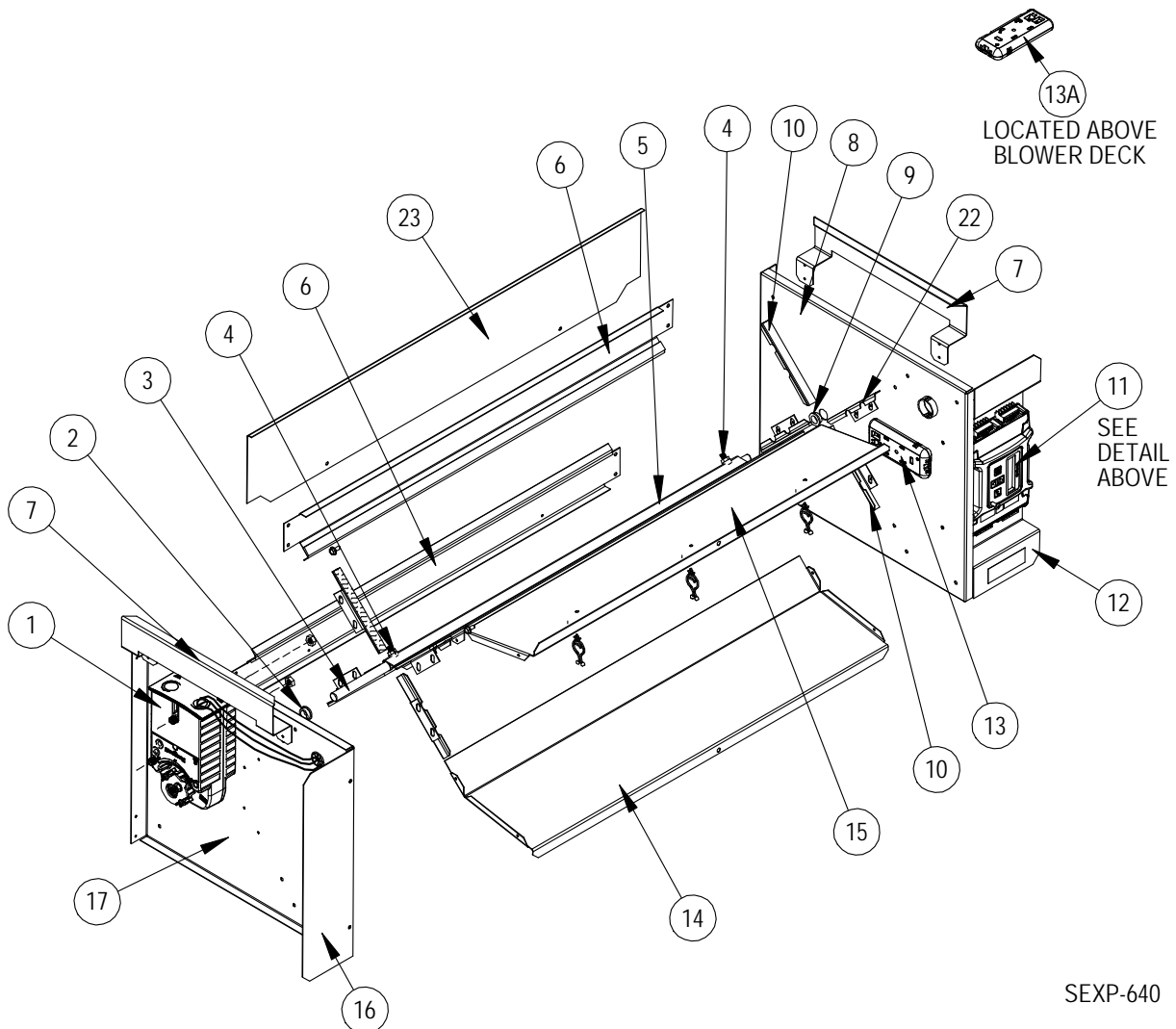
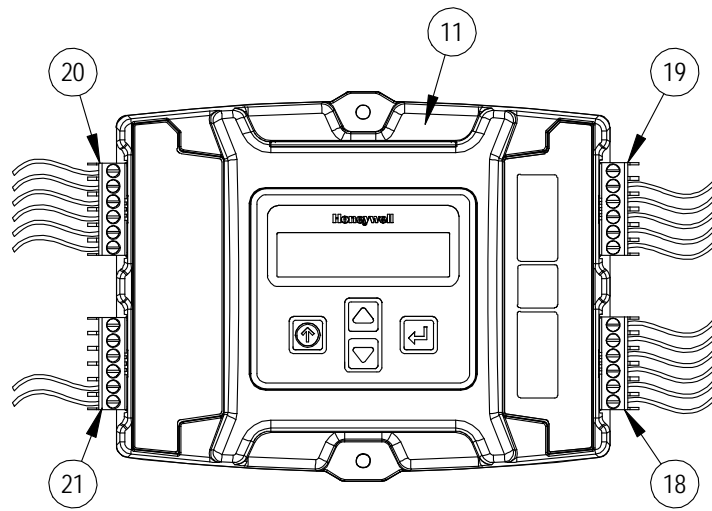
Contents

<u>Description</u>	<u>Page</u>
Economizer & Control	
◆ Exploded View	2
◆ Usage List	3
◆ Usage List	4
◆ Exploded View	5
◆ Usage List	6
◆ Exploded View	6
◆ Usage List	7
Economizer Air Hood	
◆ Exploded View	7
◆ Usage List	8
◆ Usage List	9

BMC, Inc.
Bryan, Ohio 43506

Manual: 2110-694F
Supersedes: 2110-694E
File: Vol. III Tab 19
Date: 05-09-12

ECONOMIZER and CONTROL



SEXP-640

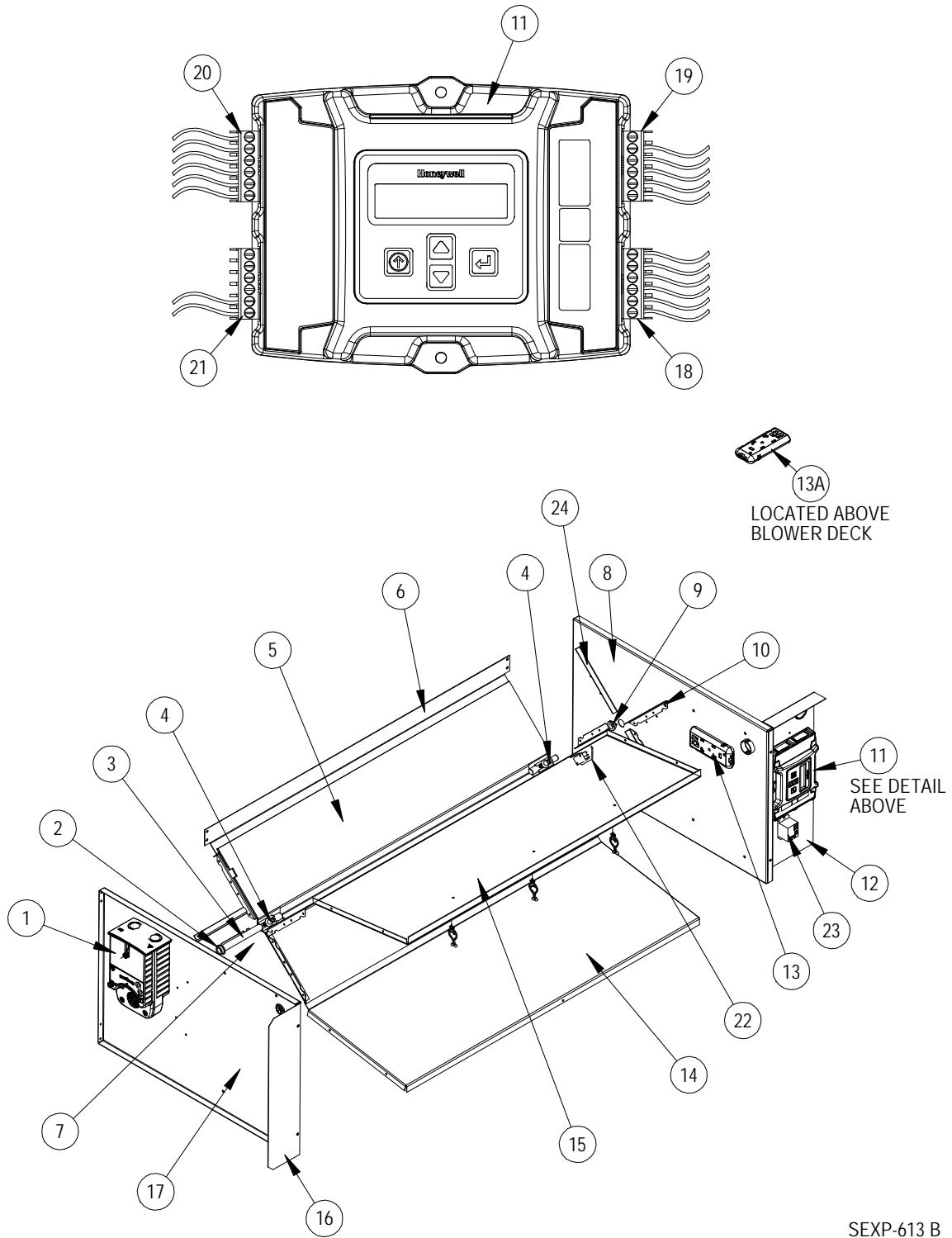
ECONOMIZER and CONTROL

Drawing No.	Part No.	Description	ECONWMT-T2	ECONWMT-E2	ECONWMS-E2
1	8602-059	Direct Coupled Actuator	X	X	X
2	8602-052	1/2" I.D. Bronze Bushing	X	X	X
3	8602-060	Drive Pin 1/2"	X	X	X
4	8602-038	Damper Pin with Hardware	2	2	2
5	S139-276	Damper Blade	X	X	X
6	105-1267	Rear Upper Angle	2	2	2
7	105-1266	Filter Angle	2	2	2
8	S101-627	Right Side	X	X	X
9	8602-039	Bronze Bushing	X	X	X
10	S105Y1248	Left Economizer Angle	4	4	4
11	S8602-056-0001	Economizer Module - Programmed	X		
11	S8602-056-0002	Economizer Module - Programmed		X	
11	S8602-056-0003	Economizer Module - Programmed			X
12	S137-634	Right Fill Plate	X	X	X
13	8602-058	Temperature Sensor - Outdoor Air	X		
13	8602-063	Enthalpy Sensor - Outdoor Air		X	X
13A	8602-058	Temperature Sensor - Mixed Air	X	X	X
14	127-414	Lower Partition/Base	X	X	X
15	121-461	Upper Partition	X	X	X
16	136-635	Left Fill Plate	X	X	X
17	S101-628	Left Side	X	X	X
18	3000-1417	Wire Harness	X	X	X
19	3000-1382	Wire Harness	X	X	X
20	3000-1383	Wire Harness	X		
20	3000-1395	Wire Harness		X	X
21	3000-1384	Wire Harness	X	X	X
22	S105X1248	Right Economizer Angle	X	X	X
23	105-1250	Return Fill	X	X	X
24	S105X1229	Right Economizer Angle	3	3	3
NS	S136-664	Condenser Cover Plate	X	X	X
NS	105-1277	Blade Angle	X	X	X

ECONOMIZER and CONTROL

Drawing No.	Part No.	Description	ECONWMT-T3	ECONWMT-E3	ECONWMS-E3
1	8602-059	Direct Coupled Actuator	X	X	X
2	8602-052	1/2" I.D. Bronze Bushing	X	X	X
3	8602-060	Drive Pin 1/2"	X	X	X
4	8602-038	Damper Pin with Hardware	2	2	2
5	S139-261	Damper Blade	X	X	X
6	105-1244	Rear Upper Angle	2	2	2
7	105-1266	Filter Angle	2	2	2
8	S101-627	Right Side	X	X	X
9	8602-039	Bronze Bushing	X	X	X
10	S105Y1248	Left Economizer Angle	4	4	4
11	S8602-056-0001	Economizer Module - Programmed	X		
11	S8602-056-0002	Economizer Module - Programmed		X	
11	S8602-056-0003	Economizer Module - Programmed			X
12	S137-634	Right Fill Plate	X	X	X
13	8602-058	Temperature Sensor - Outdoor Air	X		
13	8602-063	Enthalpy Sensor - Outdoor Air		X	X
13A	8602-058	Temperature Sensor - Mixed Air	X	X	X
14	127-412	Lower Partition/Base	X	X	X
15	121-460	Upper Partition	X	X	X
16	136-635	Left Fill Plate	X	X	X
17	S101-628	Left Side	X	X	X
18	3000-1417	Wire Harness	X	X	X
19	3000-1382	Wire Harness	X	X	X
20	3000-1383	Wire Harness	X		
20	3000-1395	Wire Harness		X	X
21	3000-1384	Wire Harness	X	X	X
22	S105X1248	Right Economizer Angle	X	X	X
23	105-1250	Return Fill	X	X	X
24	S105X1229	Right Economizer Angle	3	3	3
NS	S136-653	Condenser Cover Plate	X	X	X
NS	105-1277	Blade Angle	X	X	X

ECONOMIZER and CONTROL

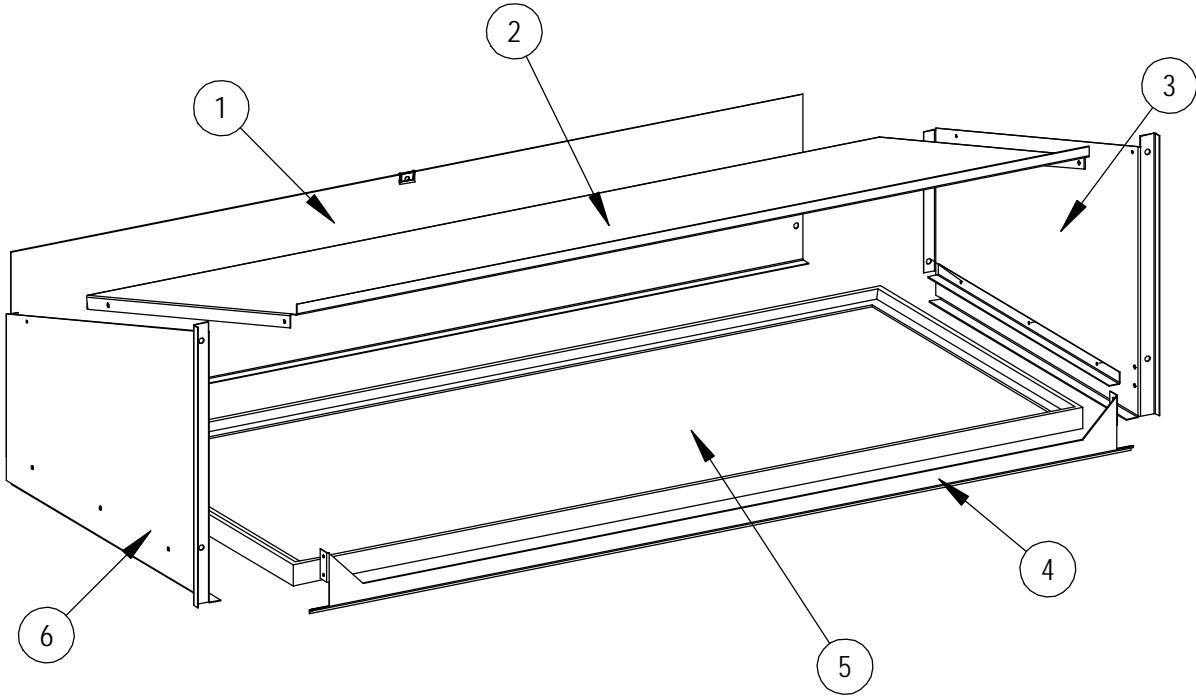


SEXP-613 B

ECONOMIZER and CONTROL

Drawing No.	Part No.	Description	ECONWMT-T5	ECONWMT-E5	ECONWMS-E5
1	8602-059	Direct Coupled Actuator	X	X	X
2	8602-052	1/2" I.D. Bronze Bushing	X	X	X
3	8602-060	Drive Pin 1/2"	X	X	X
4	8602-038	Damper Pin with Hardware	2	2	2
5	S139-239	Damper Blade	X	X	X
6	105-1231	Rear Upper Angle	X	X	X
7	105-1230	Rear Lower Angle	X	X	X
8	S101-607	Right Side	X	X	X
9	8602-039	Bronze Bushing	X	X	X
10	S105Y1229	Left Economizer Angle	4	4	4
11	S8602-056-0001	Economizer Module - Programmed	X		
11	S8602-056-0002	Economizer Module - Programmed		X	
11	S8602-056-0003	Economizer Module - Programmed			X
12	S137-612	Right Fill Plate	X	X	X
13	8602-058	Temperature Sensor - Outdoor Air	X		
13	8602-063	Enthalpy Sensor - Outdoor Air		X	X
13A	8602-058	Temperature Sensor - Mixed Air	X	X	X
14	127-394	Lower Partition/Base	X	X	X
15	137-611	Upper Partition	X	X	X
16	137-613	Left Fill Plate	X	X	X
17	S101-606	Left Side	X	X	X
18	3000-1381	Wire Harness	X	X	X
19	3000-1382	Wire Harness	X	X	X
20	3000-1383	Wire Harness	X		
20	3000-1395	Wire Harness		X	X
21	3000-1384	Wire Harness	X	X	X
22	8406-133	Blade Switch	X	X	
23	8201-130	Relay	X	X	
24	S105X1229	Right Economizer Angle	4	4	4
NS	S136-632	Condenser Cover Plate	X	X	X

ECONOMIZER AIR HOOD



SEXP-614

ECONOMIZER AIR HOOD

			ECONWMT-T2 HOOD ECONWMT-E2 HOOD	ECONWMT-T3 HOOD ECONWMT-E3 HOOD	ECONWMT-T5 HOOD ECONWMT-E5 HOOD
1	S139-278-* ①	Mist Eliminator Door	X		
1	S139-268-* ①	Mist Eliminator Door		X	
1	S139-241-* ①	Mist Eliminator Door			X
2	S139-277-* ①	Air Hood Top	X		
2	S139-267-* ①	Air Hood Top		X	
2	S139-245-* ①	Air Hood Top			X
3	S139-266-* ①	Air Hood Left Side	X	X	
3	S139-242-* ①	Air Hood Left Side			X
4	109-267-* ①	Air Hood Back Angle	X		
4	109-262-* ①	Air Hood Back Angle		X	
4	109-249-* ①	Air Hood Back Angle			X
5	7003-067	Mist Filter	X		
5	7003-066	Mist Filter		X	
5	7003-062	Mist Filter			X
6	S139-265-* ①	Air Hood Right Side	X	X	
6	S139-243-* ①	Air Hood Right Side			X
NS	S553-452-* ①	Filter Door Assembly	X		
NS	S552-444-* ①	Filter Door Assembly		X	
NS	S552-384-* ①	Filter Door Assembly			X

① Exterior cabinet parts are manufactured with various paint color options. To ensure that you receive the proper paint color, you must include the complete model and serial number of the unit for which cabinet parts are being ordered.

NS = Not Shown