
REPLACEMENT PARTS MANUAL

ECONOMIZER MODELS: ECONHMT-T5A* ECONHMT-E5A* ECONWM-K5*

General Notes

- Revised and/or additional pages may be issued from time to time.
- A complete and current manual consists of pages shown in the following contents section.

Important

- Contact the installing and/or local Bard distributor for all parts requirements. Make sure you have the complete model and serial number available from the unit rating plates.

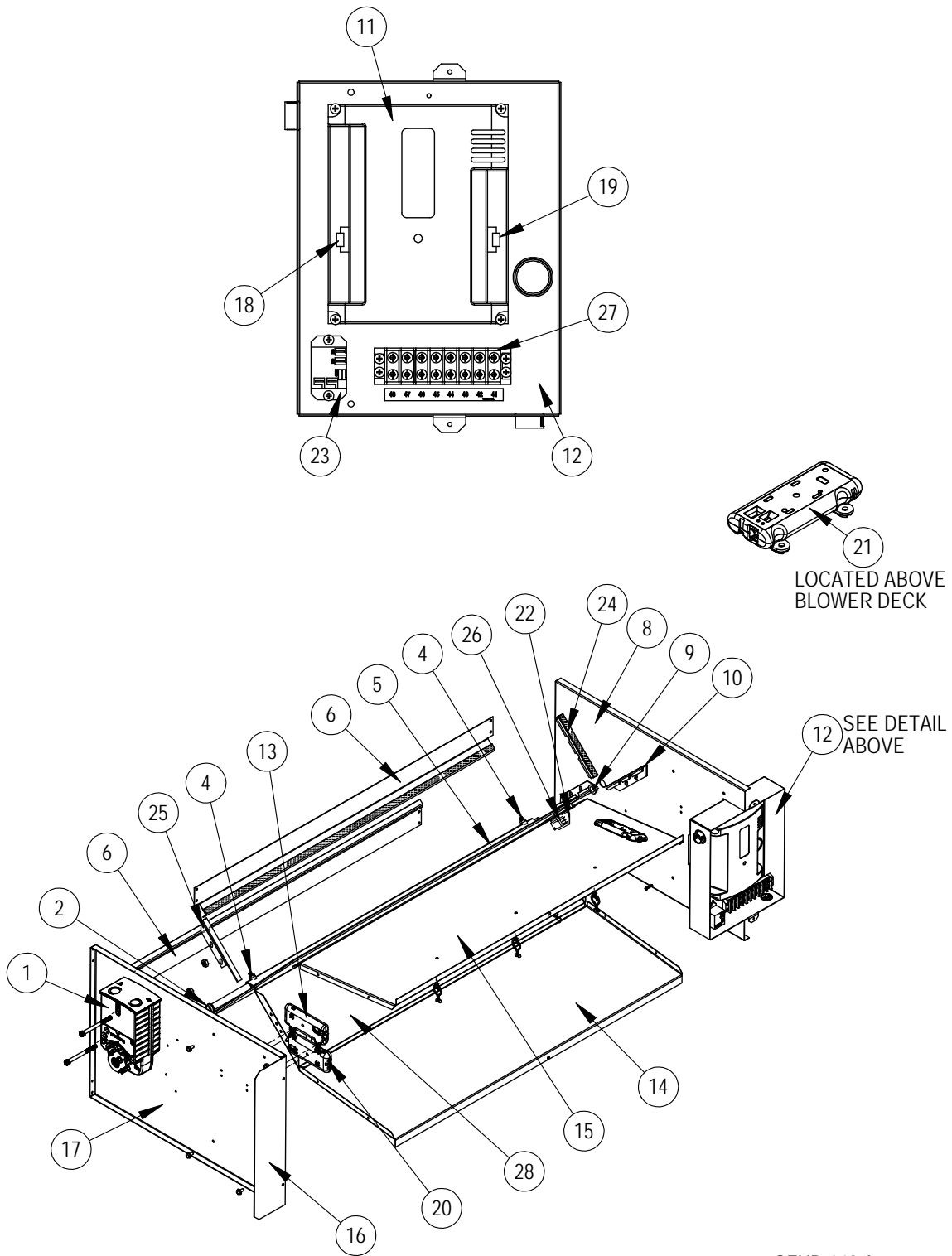
Contents

Description	Page
Economizer & Control	
♦ Exploded View	2
♦ Usage List	3
♦ Usage List	4
Economizer Air Hood	
♦ Exploded View	4
♦ Usage List	5

BMC, Inc.
Bryan, Ohio 43506

Manual: 2110-695B
Supersedes: 2110-695A
File: Vol. III Tab 19
Date: 05-01-14

ECONOMIZER and CONTROL

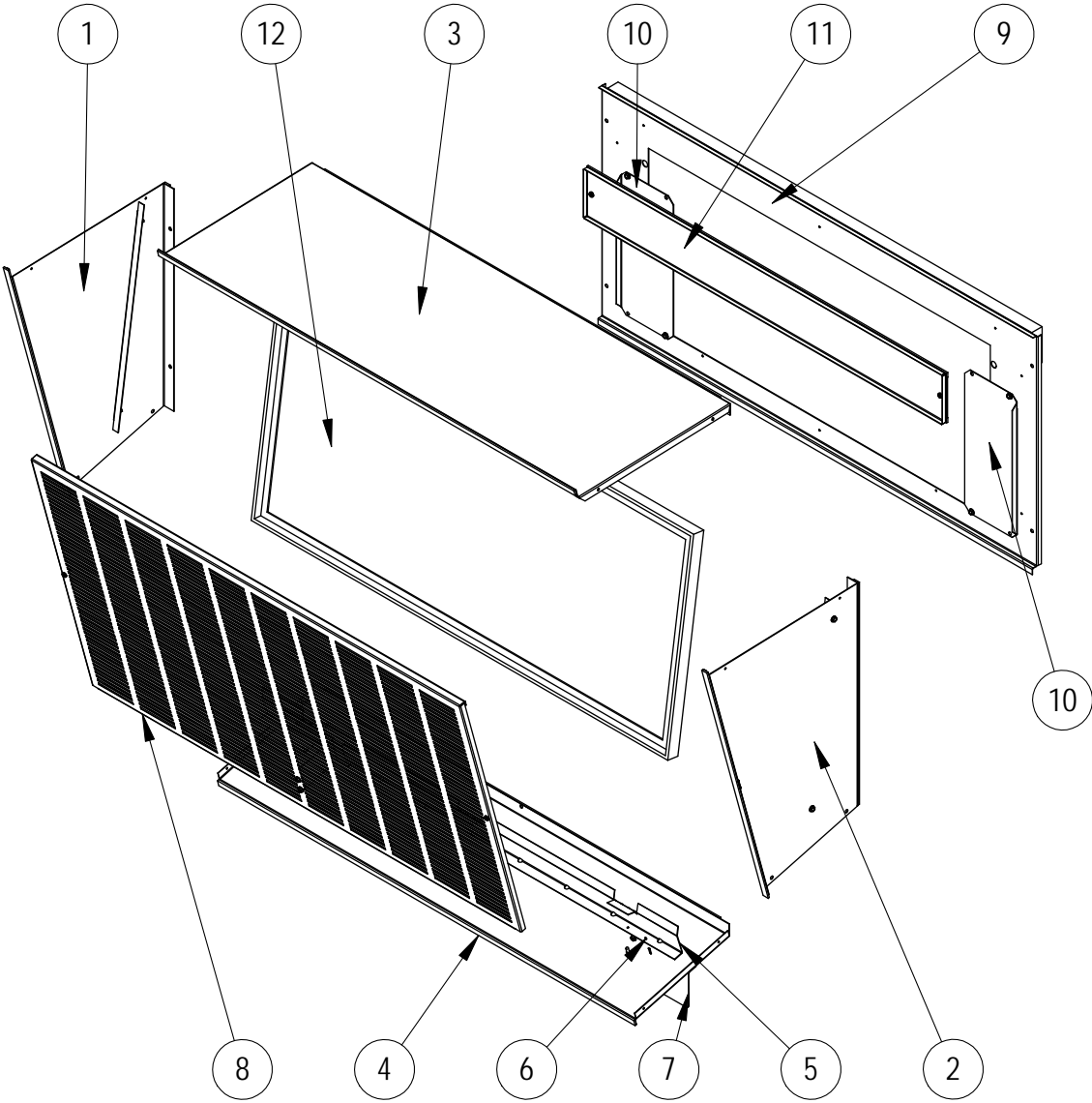


SEXP-649 A

ECONOMIZER and CONTROL

Drawing No.	Part No.	Description	ECONHMT-T5A	ECONHMT-E5A	ECONWM-K5
1	8602-067	Direct Coupled Actuator	X	X	X
2	8602-052	1/2" I.D. Bronze Bushing	X	X	X
3	8602-060	Drive Pin 1/2"	X	X	X
4	8602-038	Damper Pin with Hardware	2	2	2
5	S139-239	Damper Blade	X	X	X
6	105-1231	Rear Angle	2	2	2
7	143-173	Control Cover	X	X	X
8	S101-683	Right Side	X	X	X
9	8602-039	Bronze Bushing	X	X	X
10	S105Y1229	Left Economizer Angle	4	4	4
11	S8602-056-0001	Economizer Module - Programmed	X		
11	S8602-056-0002	Economizer Module - Programmed		X	
12	S137-612	Control Panel	X	X	X
13	8602-058	Temperature Sensor - Outdoor Air	X	X	
14	127-424	Lower Partition/Base	X	X	X
15	137-667	Upper Partition	X	X	X
16	137-613	Left Fill Plate	X	X	X
17	S101-656	Left Side	X	X	X
18	8301-044	2.7K OHM Resistor 1/2 Watt	X	X	
19	8301-028	511 OHM Resistor 1/4 Watt	X	X	
20	8602-066	Humidity Sensor - Outdoor Air	X	X	
21	8602-058	Wire Harness	X	X	
22	8406-133	Blade Switch	X	X	
23	8201-130	Relay	X	X	
24	S105X1229	Right Economizer Angle	X	X	X
25	105-1278	Left Motor Economizer Angle	X	X	X
26	113-460	Blade Switch Bracket	X	X	
27	8607-006	Terminal Strip	X	X	
28	143-186	Block Off Plate	X	X	X
NS	S136-632	Condenser Cover Plate	X	X	X
NS	4056-217	Wiring Diagram	X	X	
NS	4056-225	Wiring Diagram			X

ECONOMIZER AIR HOOD



SEXP-663 B

ECONOMIZER AIR HOOD

ECONHMT-T5A HOOD
ECONHMT-E5A HOOD
ECONWM-K5 HOOD

Drawing No.	Part No.	Description	
1	S101-742-* ①	Right Side	X
2	S101-743-* ①	Left Side	X
3	S107-322-* ①	Hood Top	X
4	S127-443-* ①	Hood Bottom	X
5	113-485	Bottom Fill Bracket	X
6	105-1297	Lower Filter Angle	X
7	113-484-* ①	Bottom Divider Bracket	X
8	S115-243-* ①	Hood Front	X
9	S153-563-* ①	Hood Mounting Door	X
10	133-237	Control Panel Cover	X
11	S153-564	Filter Door	X

① Exterior cabinet parts are manufactured with various paint color options. To ensure that you receive the proper paint color, you must include the complete model and serial number of the unit for which cabinet parts are being ordered.

NS = Not Shown