
REPLACEMENT PARTS MANUAL

ECONOMIZER MODELS: ECONHMT-T5* ECONHMT-E5*

General Notes

- Revised and/or additional pages may be issued from time to time.
- A complete and current manual consists of pages shown in the following contents section.

Important

- Contact the installing and/or local Bard distributor for all parts requirements. Make sure you have the complete model and serial number available from the unit rating plates.

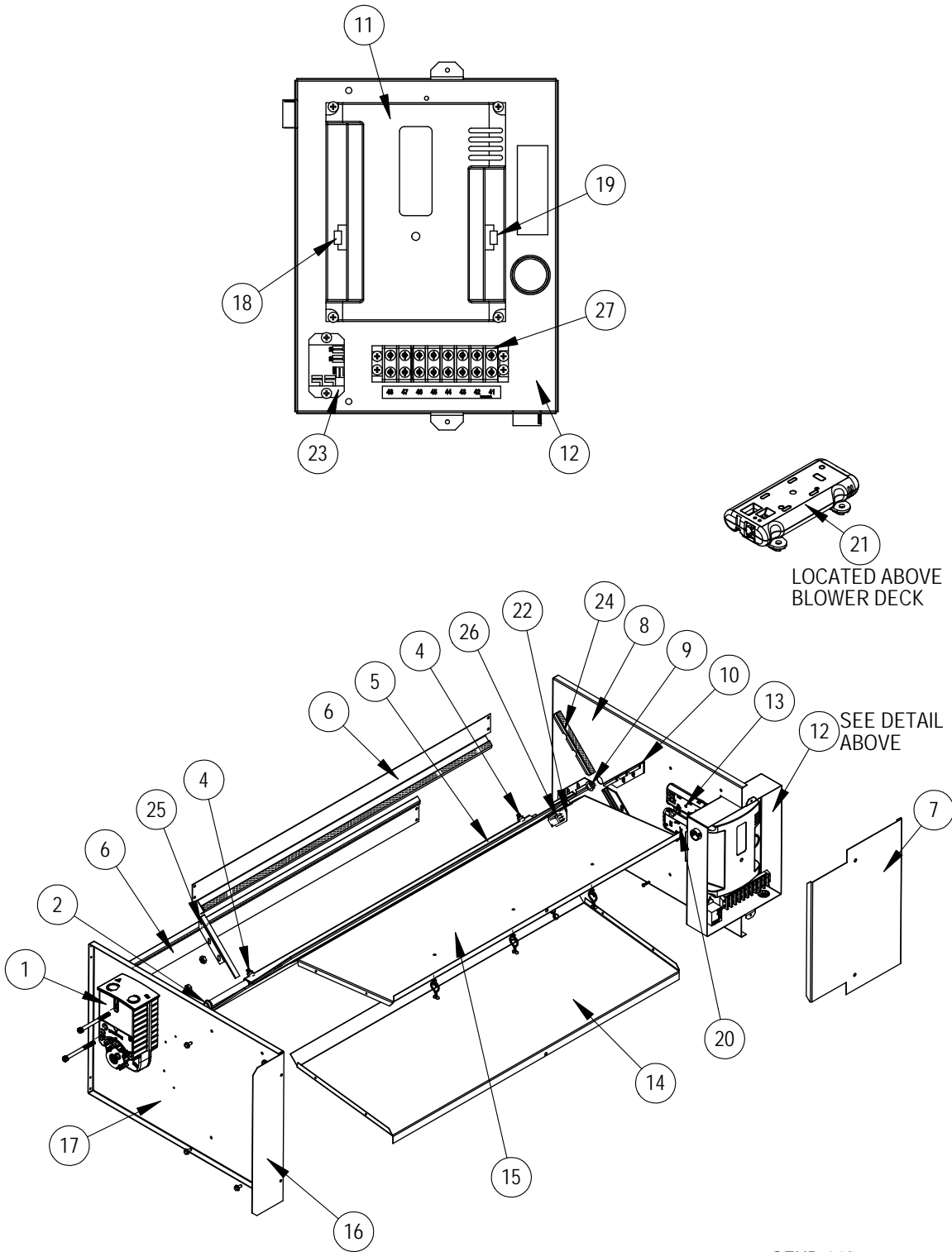
Contents

Description	Page
Economizer & Control	
◆ Exploded View	2
◆ Usage List	3
◆ Usage List	4
◆ Exploded View	5
◆ Usage List	6
◆ Exploded View	6
◆ Usage List	7
Economizer Air Hood	
◆ Exploded View	7
◆ Usage List	8
◆ Usage List	9

BMC, Inc.
Bryan, Ohio 43506

Manual: 2110-695
Supersedes: **NEW**
File: Vol. III Tab 19
Date: 06-25-12

ECONOMIZER and CONTROL

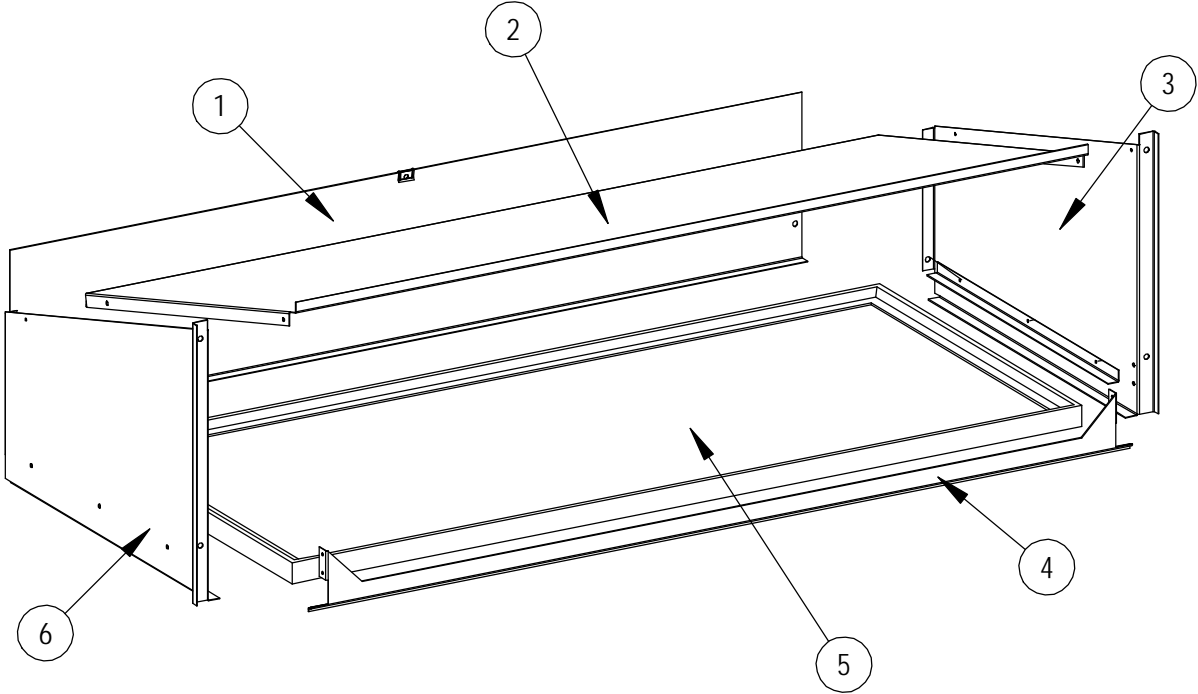


SEXP-649

ECONOMIZER and CONTROL

Drawing No.	Part No.	Description	ECONHMT-T5	ECONHMT-E5
1	8602-067	Direct Coupled Actuator	X	X
2	8602-052	1/2" I.D. Bronze Bushing	X	X
3	8602-060	Drive Pin 1/2"	X	X
4	8602-038	Damper Pin with Hardware	2	2
5	S139-239	Damper Blade	X	X
6	105-1231	Rear Angle	2	2
7	143-173	Control Cover	X	X
8	S101-683	Right Side	X	X
9	8602-039	Bronze Bushing	X	X
10	S105Y1229	Left Economizer Angle	4	4
11	S8602-056-0001	Economizer Module - Programmed	X	
11	S8602-056-0002	Economizer Module - Programmed		X
12	S137-612	Control Panel	X	X
13	8602-058	Temperature Sensor - Outdoor Air	X	X
14	127-424	Lower Partition/Base	X	X
15	137-667	Upper Partition	X	X
16	137-613	Left Fill Plate	X	X
17	S101-656	Left Side	X	X
18	8301-044	2.7K OHM Resistor 1/2 Watt	X	X
19	8301-028	511 OHM Resistor 1/4 Watt	X	X
20	8602-066	Humidity Sensor - Outdoor Air	X	X
21	8602-058	Wire Harness	X	X
22	8406-133	Blade Switch	X	X
23	8201-130	Relay	X	X
24	S105X1229	Right Economizer Angle	3	3
25	105-1278	Left Motor Economizer Angle	X	X
26	113-460	Blade Switch Bracket	X	X
27	8607-006	Terminal Strip	X	X
NS	S136-632	Condenser Cover Plate	X	X
NS	4056-217	Wiring Diagram	X	X

ECONOMIZER AIR HOOD



SEXP-614

ECONOMIZER AIR HOOD

ECONWMT-T5 HOOD
ECONWMT-E5 HOOD

1	S139-241-* ①	Mist Eliminator Door	X
2	S139-245-* ①	Air Hood Top	X
3	S139-242-* ①	Air Hood Left Side	X
4	109-249-* ①	Air Hood Back Angle	X
5	7003-062	Mist Filter	X
6	S139-243-* ①	Air Hood Right Side	X
NS	S552-384-* ①	Filter Door Assembly	X

① Exterior cabinet parts are manufactured with various paint color options. To ensure that you receive the proper paint color, you must include the complete model and serial number of the unit for which cabinet parts are being ordered.

NS = Not Shown