
REPLACEMENT PARTS MANUAL

ECONOMIZER WITH EXHAUST MODEL: QJIFM-5

General Notes

- Revised and/or additional pages may be issued from time to time.
- A complete and current manual consists of pages shown in the following contents section.

Important

- Contact the installing and/or local Bard distributor for all parts requirements. Make sure you have the complete model and serial number available from the unit rating plates.

Contents

<u>Description</u>	<u>Page</u>
JADE™ Wire Assembly	
♦ Exploded View	2
♦ Usage List	2
Functional & Cabinet Components	
♦ Exploded View	3
♦ Usage List	3

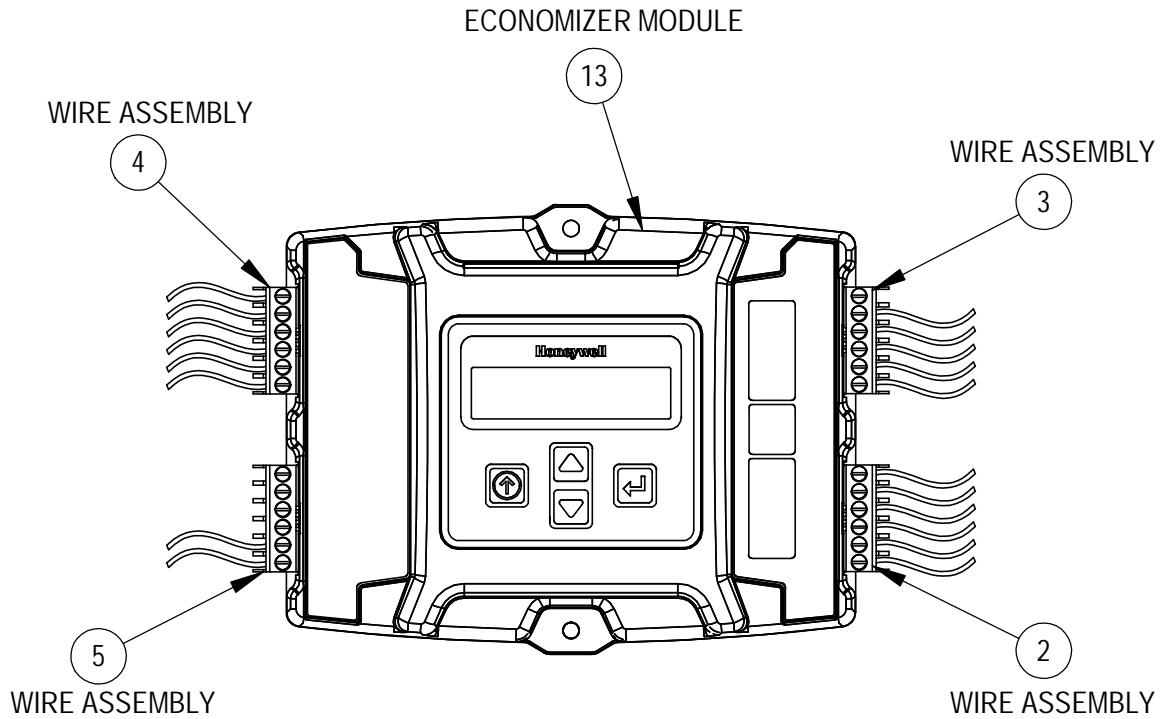


Bard Manufacturing Company, Inc.
Bryan, Ohio 43506
Since 1914...Moving, ahead just as planned.

Manual: 2110-696
Supersedes: **NEW**
File: Tab 14
Date: 12-12-13

Climate Control Solutions

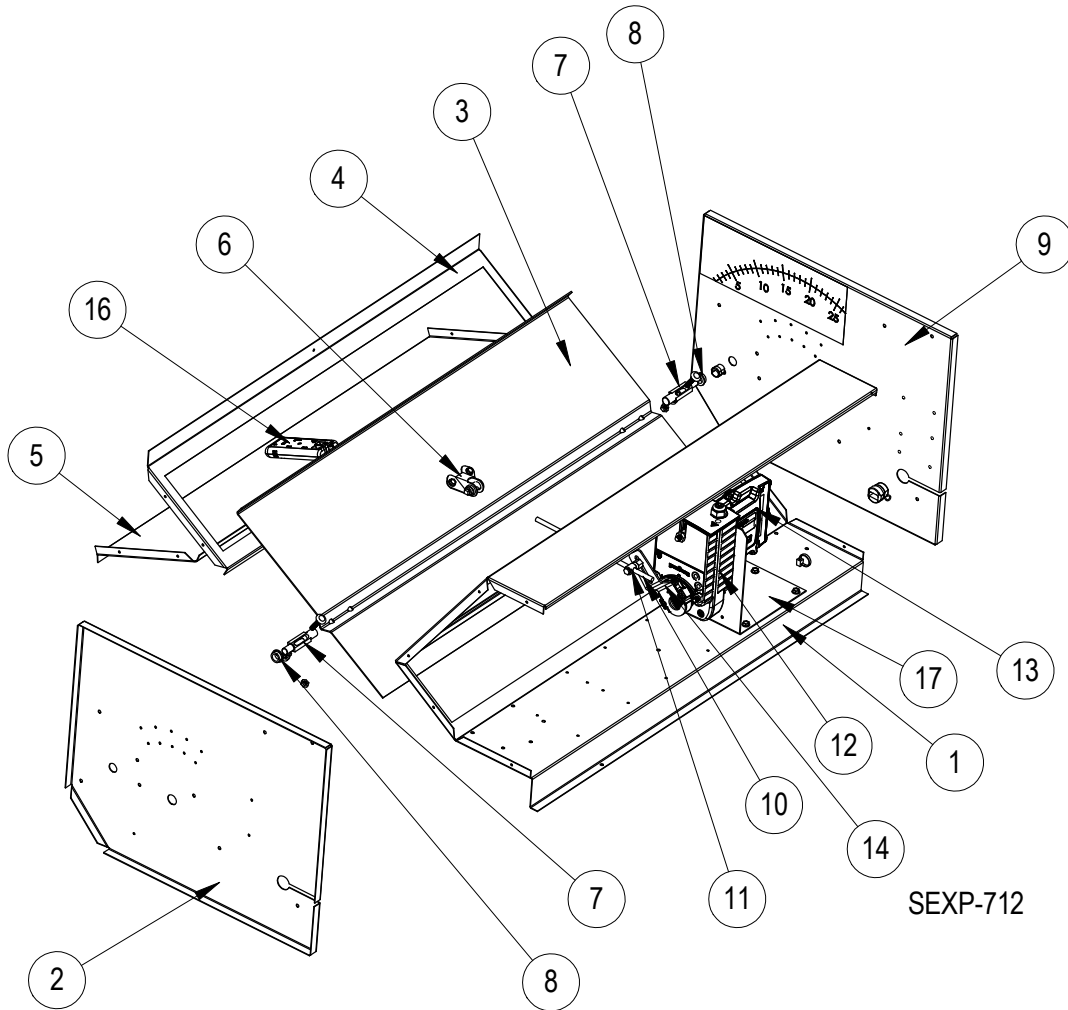
JADE™ WIRE ASSEMBLY



SEXP-711

Drawing No.	Part No.	Description	QJFM-5
2	3000-1422	Wire Assembly	X
3	3000-1423	Wire Assembly	X
4	3000-1424	Wire Assembly	X
5	3000-1425	Wire Assembly	X
13	8602-056-0004	Economizer Logic Module	X

FUNCTIONAL and CABINET COMPONENTS



Drawing No.	Part No.	Description	QJIFM-5
1	137-370	Front Fill	X
2	100Y346	Left End	X
3	139-116	Blade	X
4	137-369	Rear Fill	X
5	127-279	Base	X
6	8602-040	Bracket	X
7	8602-038	Damper Blade Pin	2
8	8602-039	Bushing	2
9	100X346	Right End	X
10	8602-044	Rod	X
11	8602-008	Ball Joint	X
12	8602-059	Damper Motor	X
13	8602-056-0004	Economizer Logic Module	X
14	8602-068	Crank Arm	X
16	8602-063	Enthalpy Sensor	X
17	113-482	Accuator Bracket	X
NS	8602-058	Mixed Air Thermistor	X
NS	3000-1201	Wire Harness P3	X
NS	4056-218	Wiring Diagram	X

NS = Not Shown